



Outdoor Charging Station with Area Light.

Satisfy the Power Hungry

Outdoor spaces are becoming hubs for social activity and productivity. From corporate campuses with outdoor meeting spaces to colleges offering outdoor courses, the need for convenient and safe access to power outdoors continues to grow.

The Outdoor Charging Stations from Legrand provide an ideal solution for employees, students, and guests to charge their mobile devices in outdoor spaces. Each station includes a combination of standard GFCI power outlets and USB outlets. In addition, some stations incorporate LED lighting to enable easy usage at night. They can also support A/V or communication connectivity.

All stations are ADA compliant and NEMA 3R listed for use in outdoor locations. Shelves are available for device storage while charging. Available in three standard finishes, these elegant pedestals are designed to enhance your facility while blending into existing landscaping.

Products



Charging Station with Accent Light

Select a charging station with an LED accent light to enable device charging during the day and after dark. Accent light ensures the station stands out from standard bollards and clearly indicates "charging."



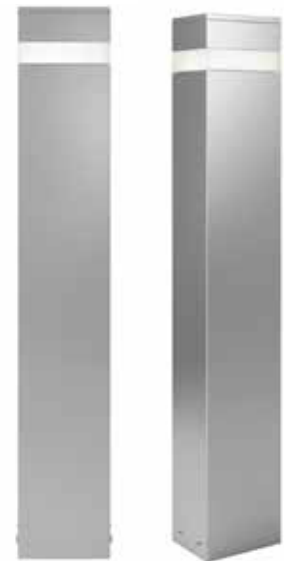
Charging Station with Area Light

Combine outdoor device charging with an LED light to eliminate the need for a stand-alone bollard. Perfect for use as pathway lighting in educational, corporate and recreational applications.



Power Pedestal

Ideal for areas that are already illuminated, such as outdoor dining areas. Shorter height enables use beside tables or as a lower-profile solution in landscaping.



Lighting Station

Add lighting-only stations to complement the charging stations in your space. Enable a consistent look and provide pathway lighting to campuses.

Compliance



cULus Listed, File Number E479489, Guide PUPR

Outdoor Charging Stations are UL Listed to meet NEMA 3R requirements for use in outdoor locations.

Outdoor Charging Stations comply with ADA guidelines.

Features & Benefits

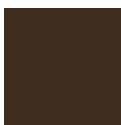
- **Charging and Illumination** – Combine charging with accent or area lighting in one pedestal to maximize functionality of outdoor spaces.
- **2- or 3-Gang Options** – Customize the station with two or three gangs of devices to meet your facility’s unique needs. Prewired versions include weather-resistant GFCI outlets and 4-port USB outlets. Also available unwired for complete customization.
- **Outdoor-Rated Construction** – Rugged aluminum form designed for durability in outdoor locations. UL listed to NEMA 3R requirements to ensure optimal performance. Door closes automatically to meet while-in-use requirements.
- **Durable, Premium Finishes** – Available in three outdoor-rated finishes to complement your space design. Choose from black, bronze, and silver to perfectly match your project.
- **A/V & Communication Compatible** – Add an A/V-Communication Kit to 3-gang versions to accommodate Wiremold AVIP plates, as well as decorator A/V or communication devices. Enables pedestal to support outdoor presentation areas and classrooms, eliminating the need to bring cables from inside a building.
- **Device Shelves** – Add up to two pairs of shelves to hold mobile devices while charging.
- **Door Options** – Interior illuminates when door is opened. Replace standard color-matched door with a transparent version to make devices inside more visible. Or, select a lockable door for added security or to ensure use is limited to facility personnel.
- **ADA compliant** – Meets all specifications for ADA guidelines, including unobstructed reach requirements.



COLOR OPTIONS:



Black



Bronze

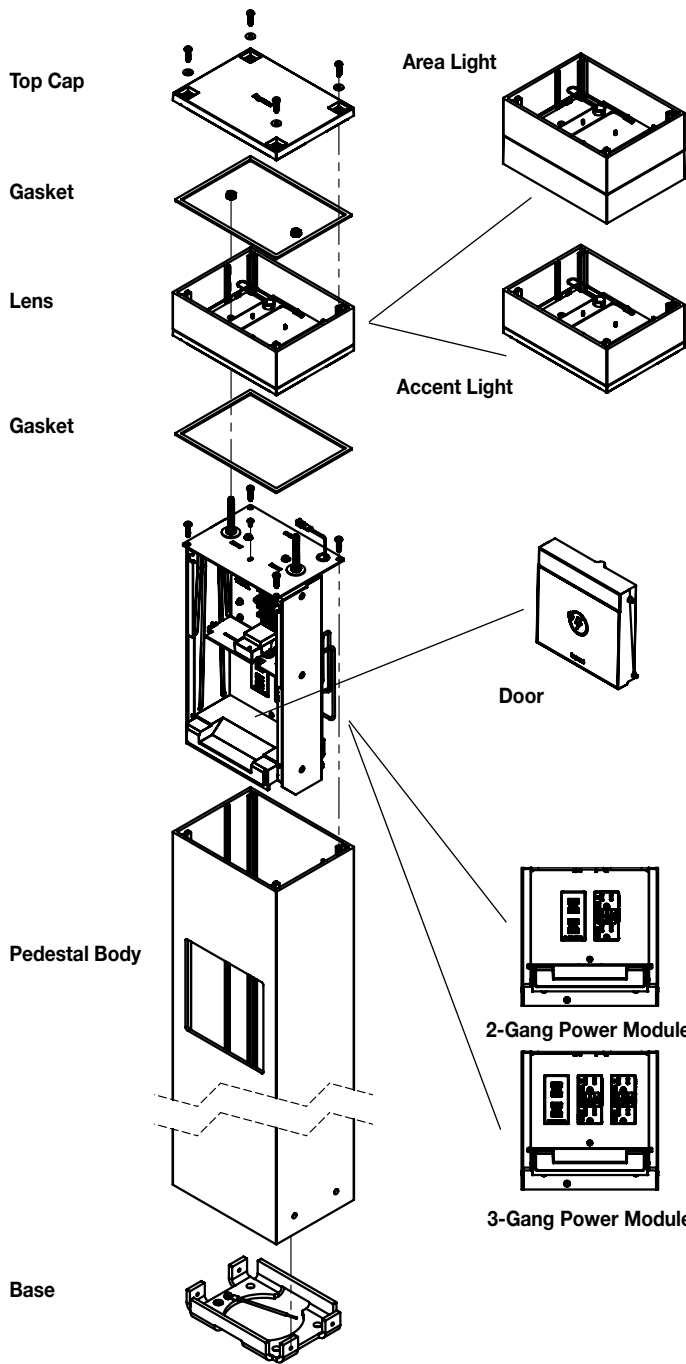


Silver

Vertical Markets

- Commercial
- Education
- Entertainment
- Healthcare
- Hospitality
- Parks
- Retail
- Transit

Charging Station Components



Lens Options:

- Charging Station or Lighting Station with Area Light
- Charging Station with Accent Light
- No Lens – Power Pedestal

Door Options:

- Color-Matched Door – shipped with pedestal
- Transparent Door – available accessory
- Locking Door – available accessory
- No Door – Lighting Station

Device Options:

- 2-Gang Power Module – Prewired with GFCI, USB devices or unwired with no devices
- 3-Gang Power Module – Prewired with GFCI, USB devices or unwired with no devices
- 3-Gang Power Module – Select unwired version and add A/V-Communications Kit (AVKIT) to combine power and low voltage
- No Devices – Lighting Station

Technical Information

| Components & Material | |
|------------------------------------|---|
| Lenses | Polycarbonate. UL F1 rating to ensure UV resistance. |
| Paint | Outdoor-rated powder coat |
| Pedestal Base & Hardware | Steel base (4 1/4" (108mm) diameter opening) with four (4) 3/8" (9.5mm) L bolts (8" length (203mm)) |
| Pedestal Body | 0.188" thick aluminum extrusion |
| Shelves | 0.25" thick aluminum coated with outdoor-rated plasticcoat coating |
| Transparent Door | Polycarbonate. UL F1 rating to ensure UV resistance. |
| Idle Power Draw | |
| 4-Port USB Outlet | 0.775W |
| Lighting | |
| Accent Light | 7W, 4000k |
| Area Light | 25W, 4000k |
| LED Driver | Accepts 120V and 277V |
| Temperature Ratings | |
| Charging Station with Accent Light | -22° F (-30° C) to 140° F (60° C) |
| Charging Station with Area Light | -22° F (-30° C) to 140° F (60° C) |
| Power Pedestal | -31° F (-35° C) to 140° F (60° C) |

CHARGING STATION INSTALLATION:

Pedestal installs via four L bolts sunk into concrete. Conduit should be stubbed up to a height of 8" for standard power installations. If using AVKIT, conduit should be run up to bottom of power module/door.

To wire, remove four screws from top of pedestal, then remove gasketing and lens (if applicable). Loosen screw inside door area. Power module lifts out of pedestal body, allowing wiring to be pulled up through pedestal. Make all wiring connections, then lower power module back into pedestal body, tighten door area screw, and reassemble top.

LIGHTING STATION INSTALLATION:

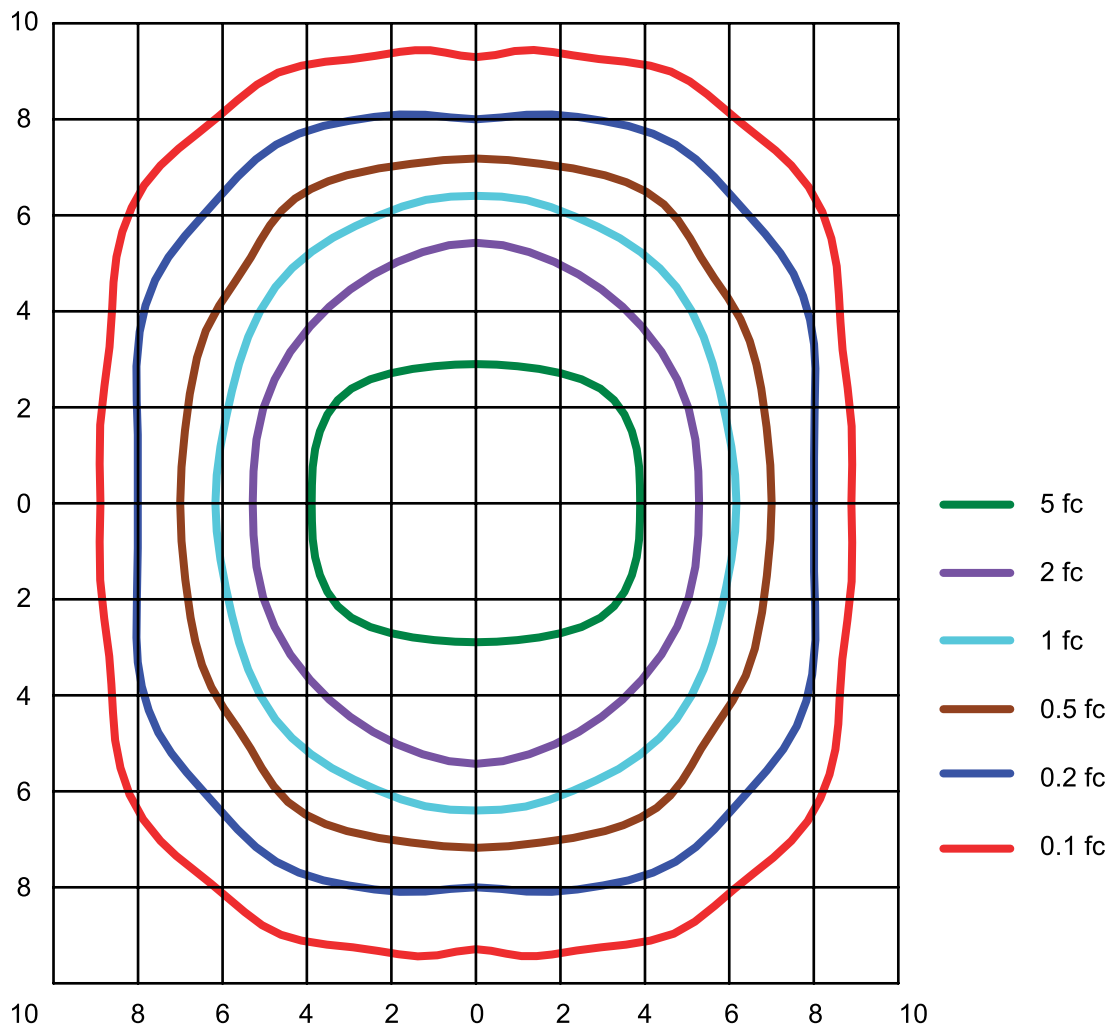
Pedestal installs via four L bolts sunk into concrete. Conduit should be stubbed up to a height of 8". All wiring should be completed at base of pedestal, with incoming power wired to included leads .

Technical Information – Area Light & Lighting Station

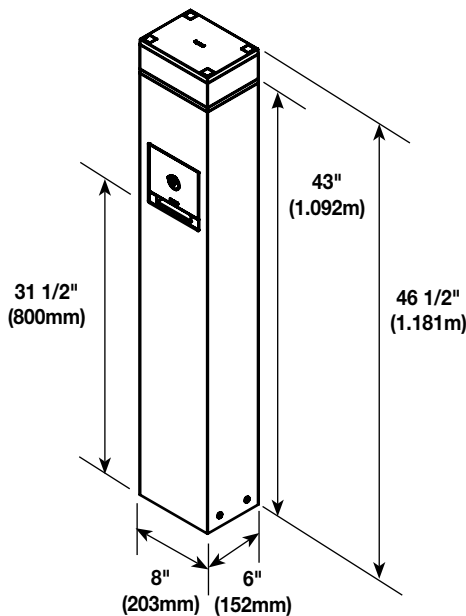
Lighting Data

| | |
|-------------------------------------|-------------|
| Light Output (Lumens): | 457 Lumens |
| Watts: | 21.8 W |
| B.U.G. Rating: | B0 U2 G0 |
| Max. Intensity: | 230 candela |
| Correlated Color Temperature (CCT): | 4000k |
| Color Rendering Index (CRI): | 84 |
| Rated Life (L70): | > 50,000 |

Photometrics



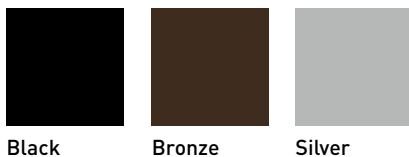
Outdoor Charging Station with Accent Light



Components Included:

- Top Cap and Pedestal Body
- Required Gasketing
- Accent Light Assembly
- Power Module (2- or 3-Gang)
- Color-Matched Door
- Mounting Base
- Four (4) L Bolts

COLOR OPTIONS:



Station features rugged aluminum construction and includes an accent LED light (7W, 4000k) for easy identification at night.

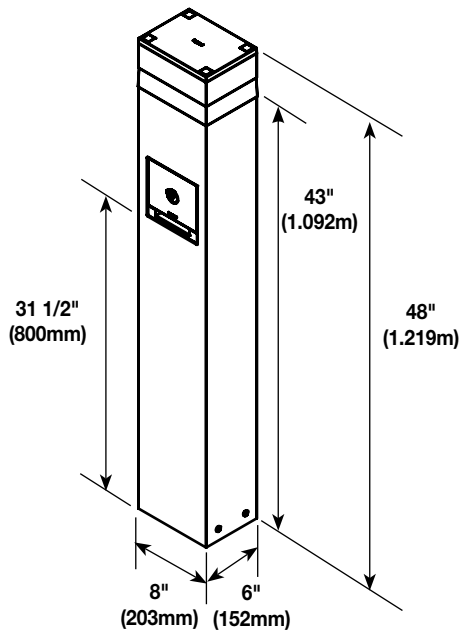
- NEMA 3R listed for use in outdoor locations.
- Aluminum body is 0.188" (4.78mm) thick and powder-coated with durable, outdoor-rated paint. Mounts into concrete with four L bolts.
- Available prewired with two or three devices, per chart below. Devices include weather-resistant 20A GFCIs and 4-port USB outlets. Power and lighting are prewired on separate circuits. Lighting circuit can be controlled by a timer at the panel if desired.
- Also available unwired in two- or three-gang versions. Unwired versions can be populated with any combination of weather-resistant GFCI receptacles and USB outlets.
- Includes color-matched door, which can be easily replaced by a color-matched locking door (XCSLOCK-XX) or a transparent door (XCSCLEAR) (see page 8).
- Interior illuminates when door is open. Door closes automatically to meet while-in-use requirements.
- A/V and communication devices can be added to unwired three-gang versions with addition of A/V-Communication Kit (AVKIT – see page 8). Kit includes two replacement device plates to accommodate:
 - > two decorator-style power devices and one decorator style A/V or communication device,
 - > two decorator-style power devices and four Wiremold AVIP device plates.
- Use unwired two- or three-gang pedestal versions for dedicated low voltage applications where power is not required – no A/V-Communication kit needed.

Outdoor Charging Station with Accent Light Ordering Information

| Part Number | Gangs | 20A WR GFCI | 4-Port 4.2A USB | Finish |
|---------------|-------|-------------|-----------------|--------|
| XCSAL2GRU-BK | 2 | 1 | 1 | Black |
| XCSAL2GRU-BZ | 2 | 1 | 1 | Bronze |
| XCSAL2GRU-SV | 2 | 1 | 1 | Silver |
| XCSAL2GUU-BK | 2 | 0 | 2 | Black |
| XCSAL2GUU-BZ | 2 | 0 | 2 | Bronze |
| XCSAL2GUU-SV | 2 | 0 | 2 | Silver |
| XCSAL2GRR-BK | 2 | 2 | 0 | Black |
| XCSAL2GRR-BZ | 2 | 2 | 0 | Bronze |
| XCSAL2GRR-SV | 2 | 2 | 0 | Silver |
| XCSAL2G-BK* | 2 | 0 | 0 | Black |
| XCSAL2G-BZ* | 2 | 0 | 0 | Bronze |
| XCSAL2G-SV* | 2 | 0 | 0 | Silver |
| XCSAL3GRUU-BK | 3 | 1 | 2 | Black |
| XCSAL3GRUU-BZ | 3 | 1 | 2 | Bronze |
| XCSAL3GRUU-SV | 3 | 1 | 2 | Silver |
| XCSAL3GRRU-BK | 3 | 2 | 1 | Black |
| XCSAL3GRRU-BZ | 3 | 2 | 1 | Bronze |
| XCSAL3GRRU-SV | 3 | 2 | 1 | Silver |
| XCSAL3G-BK* | 3 | 0 | 0 | Black |
| XCSAL3G-BZ* | 3 | 0 | 0 | Bronze |
| XCSAL3G-SV* | 3 | 0 | 0 | Silver |

* Stations with no devices are provided unwired for addition of customized selections. Lighting element is prewired.

Outdoor Charging Station with Area Light



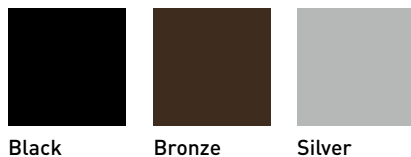
Station features rugged aluminum construction and includes an LED light for area illumination (25W, 4000k).

- NEMA 3R listed for use in outdoor locations.
- Aluminum body is 0.188" (4.78mm) thick and powder-coated with durable, outdoor-rated paint. Mounts into concrete with four L bolts.
- Available prewired with two or three devices, per chart below. Devices include weather-resistant 20A GFCIs and 4-port USB outlets. Power and lighting are prewired on separate circuits. Lighting circuit can be controlled by a timer at the panel if desired.
- Also available unwired in two- or three-gang versions. Unwired versions can be populated with any combination of weather-resistant GFCI receptacles and USB outlets.
- Includes color-matched door, which can be easily replaced by a color-matched locking door (XCSLOCK-XX) or a transparent door (XCSCLEAR) (see page 8).
- Interior illuminates when door is open. Door closes automatically to meet while-in-use requirements.
- A/V and communication devices can be added to unwired three-gang versions with addition of A/V-Communication Kit (AVKIT – see page 8). Kit includes two replacement device plates to accommodate:
 - > two decorator-style power devices and one decorator style A/V or communication device,
 - > two decorator-style power devices and four Wiremold AVIP device plates.
- Use unwired two- or three-gang pedestal versions for dedicated low voltage applications where power is not required – no A/V-Communication kit needed.

Components Included:

- Top Cap and Pedestal Body
- Required Gasketing
- Area Light Assembly
- Power Module (2- or 3-Gang)
- Color-Matched Door
- Mounting Base
- Four (4) L Bolts

COLOR OPTIONS:

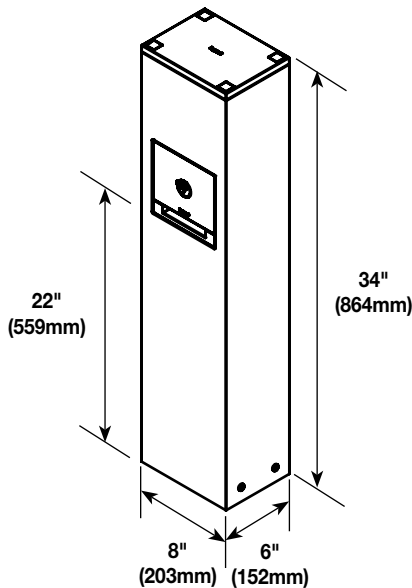


Outdoor Charging Station with Area Light Ordering Information

| Part Number | Gangs | 20A WR GFCI | 4-Port 4.2A USB | Finish |
|---------------|-------|-------------|-----------------|--------|
| XCSLF2GRU-BK | 2 | 1 | 1 | Black |
| XCSLF2GRU-BZ | 2 | 1 | 1 | Bronze |
| XCSLF2GRU-SV | 2 | 1 | 1 | Silver |
| XCSLF2GUU-BK | 2 | 0 | 2 | Black |
| XCSLF2GUU-BZ | 2 | 0 | 2 | Bronze |
| XCSLF2GUU-SV | 2 | 0 | 2 | Silver |
| XCSLF2GRR-BK | 2 | 2 | 0 | Black |
| XCSLF2GRR-BZ | 2 | 2 | 0 | Bronze |
| XCSLF2GRR-SV | 2 | 2 | 0 | Silver |
| XCSLF2G-BK* | 2 | 0 | 0 | Black |
| XCSLF2G-BZ* | 2 | 0 | 0 | Bronze |
| XCSLF2G-SV* | 2 | 0 | 0 | Silver |
| XCSLF3GRUU-BK | 3 | 1 | 2 | Black |
| XCSLF3GRUU-BZ | 3 | 1 | 2 | Bronze |
| XCSLF3GRUU-SV | 3 | 1 | 2 | Silver |
| XCSLF3GRRU-BK | 3 | 2 | 1 | Black |
| XCSLF3GRRU-BZ | 3 | 2 | 1 | Bronze |
| XCSLF3GRRU-SV | 3 | 2 | 1 | Silver |
| XCSLF3G-BK* | 3 | 0 | 0 | Black |
| XCSLF3G-BZ* | 3 | 0 | 0 | Bronze |
| XCSLF3G-SV* | 3 | 0 | 0 | Silver |

* Stations with no devices are provided unwired for addition of customized selections. Lighting element is prewired.

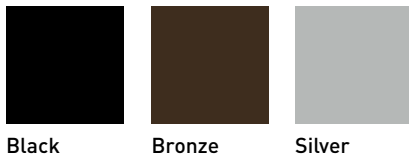
Power Pedestal



Components Included:

- Top Cap and Pedestal Body
- Required Gasketing
- Power Module (2- or 3-Gang)
- Color-Matched Door
- Mounting Base
- Four (4) L Bolts

COLOR OPTIONS:



Black

Bronze

Silver

Station features rugged aluminum construction.

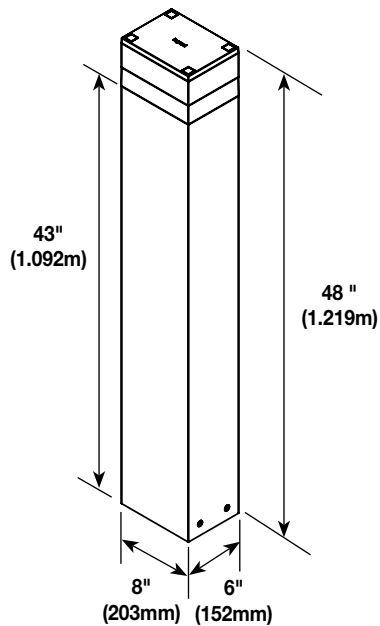
- NEMA 3R listed for use in outdoor locations.
- Aluminum body is 0.188" (4.78mm) thick and powder-coated with durable, outdoor-rated paint. Mounts into concrete with four L bolts.
- Available prewired with two or three devices, per chart below. Devices include weather-resistant 20A GFCIs and 4-port USB outlets.
- Also available unwired in two- or three-gang versions. Unwired versions can be populated with any combination of weather-resistant GFCI receptacles and USB outlets.
- Includes color-matched door, which can be easily replaced by a color-matched locking door (XCSLOCK-XX) or a transparent door (XCSCLEAR) (see page 8).
- Interior illuminates when door is open. Door closes automatically to meet while-in-use requirements.
- A/V and communication devices can be added to unwired three-gang versions with addition of A/V-Communication Kit (see page 8). Kit includes two replacement device plates to accommodate:
 - > two decorator-style power devices and one decorator style A/V or communication device,
 - > two decorator-style power devices and four Wiremold AVIP device plates.
- Use unwired two- or three-gang pedestal versions for dedicated low voltage applications where power is not required – no A/V-Communication kit needed.

Power Pedestal Ordering Information

| Part Number | Gangs | 20A WR GFCI | 4-Port 4.2A USB | Finish |
|---------------|-------|-------------|-----------------|--------|
| XCSPP2GRU-BK | 2 | 1 | 1 | Black |
| XCSPP2GRU-BZ | 2 | 1 | 1 | Bronze |
| XCSPP2GRU-SV | 2 | 1 | 1 | Silver |
| XCSPP2GUU-BK | 2 | 0 | 2 | Black |
| XCSPP2GUU-BZ | 2 | 0 | 2 | Bronze |
| XCSPP2GUU-SV | 2 | 0 | 2 | Silver |
| XCSPP2GRR-BK | 2 | 2 | 0 | Black |
| XCSPP2GRR-BZ | 2 | 2 | 0 | Bronze |
| XCSPP2GRR-SV | 2 | 2 | 0 | Silver |
| XCSPP2G-BK* | 2 | 0 | 0 | Black |
| XCSPP2G-BZ* | 2 | 0 | 0 | Bronze |
| XCSPP2G-SV* | 2 | 0 | 0 | Silver |
| XCSPP3GRUU-BK | 3 | 1 | 2 | Black |
| XCSPP3GRUU-BZ | 3 | 1 | 2 | Bronze |
| XCSPP3GRUU-SV | 3 | 1 | 2 | Silver |
| XCSPP3GRRU-BK | 3 | 2 | 1 | Black |
| XCSPP3GRRU-BZ | 3 | 2 | 1 | Bronze |
| XCSPP3GRRU-SV | 3 | 2 | 1 | Silver |
| XCSPP3G-BK* | 3 | 0 | 0 | Black |
| XCSPP3G-BZ* | 3 | 0 | 0 | Bronze |
| XCSPP3G-SV* | 3 | 0 | 0 | Silver |

* Stations with no devices are provided unwired for addition of customized selections.

Lighting Station



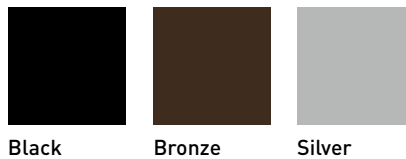
Station features rugged aluminum construction and includes an LED light for area illumination (25W, 4000k).

- NEMA 3R listed for use in outdoor locations.
- Aluminum body is 0.188" (4.78mm) thick and powder-coated with durable, outdoor-rated paint. Mounts into concrete with four L bolts.

Lighting Station Ordering Information

| Part Number | Finish |
|-------------|--------|
| XLF-BK | Black |
| XLF-BZ | Bronze |
| XLF-SV | Silver |

COLOR OPTIONS:

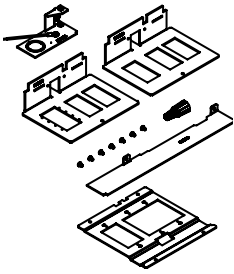


Components Included:

- Top Cap and Pedestal Body
- Required Gasketing
- Area Light Assembly
- Mounting Base
- Four (4) L Bolts

Outdoor Charging Station Accessories

A/V-COMMUNICATION KIT – XCSAV



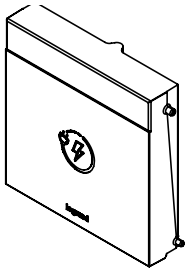
Kit enables combining power and low voltage in one three-gang pedestal. Includes two device plates to accommodate:

- two decorator-style power devices and one decorator style A/V or communication device,
- two decorator-style power devices and four Wiremold AVIP device plates.

Also includes interior divider to separate A/V or communication from high voltage wiring. Compatible with three-gang versions only.

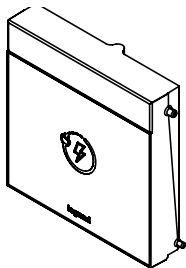
Use unwired two- or three-gang pedestal versions for dedicated low voltage applications where power is not required – no A/V-Communication kit (AVKIT) needed.

TRANSPARENT DOOR – XCSCLEAR



Replaces color-matched door (included).

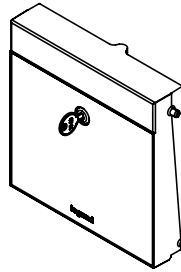
REPLACEMENT DOOR – XCSDOOR



Available Colors:
XCSDOOR-BK Black
XCSDOOR-BZ Bronze
XCSDOOR-SV Silver

Replacement door for all charging stations. Included with initial shipment of all models.

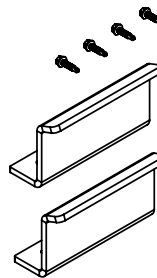
LOCKING DOOR – XCSLOCK



Available Colors:
XCSLOCK-BK Black
XCSLOCK-BZ Bronze
XCSLOCK-SV Silver

Replaces standard color-matched door (included). Includes standard lock and two keys.

DEVICE SHELVES – XCSSHELF



Available Colors:
XCSSHELF-BK Black
XCSSHELF-SV Silver

Pair of shelves to hold mobile device while charging. Shelves are intended to mount to the pedestal sides and have been tested to hold up to 250 lbs. Recommend maximum of two shelves per pedestal.

NOTE: Shelves must be mounted below door opening.



