

NEW!

MMIC

REFLECTIONLESS FILTERS

50Ω DC to 21 GHz

The Big Deal

- Patented design eliminates in band spurs
- Pass band cut-off up to 21 GHz
- Stop band up to 35 GHz
- Excellent repeatability through IPD* process



X-Series

Available in Low Pass, High Pass and Band Pass designs

Product Overview

Mini-Circuits' **X-Series** reflectionless filters employ a novel filter topology which absorbs and terminates stop band signals internally rather than reflecting them back to the source. This new capability enables unique applications for filter circuits beyond those suited to traditional approaches. Traditional filters are reflective in the stop band, sending signals back to the source at 100% of the power level which interact with neighboring components and often result in intermodulation and other interferences. Reflectionless filters eliminate stop band reflections, allowing them to be paired with sensitive devices and used in applications that otherwise require circuits such as isolation amplifiers or attenuators.

Key Features

Advantages

| | |
|---|--|
| Easy integration with sensitive reflective components, e.g. mixers, multipliers | Reflectionless filters absorb unwanted signals, preventing reflections back to the source. This reduces generation of additional unwanted signals without the need for extra components like attenuators, improving system dynamic range and saving board space. |
| Enables stable integration of wideband amplifiers | Because reflectionless filters maintain good impedance in the stop band; they can be integrated with high gain, wideband amplifiers without the risk of creating instabilities in these out of band regions. |
| Cascadable | Reflectionless filters can be cascaded in multiple sections to provide sharper and higher attenuation, while also preventing any standing waves that could affect pass band signals. |
| Excellent power handling in a tiny surface mount device | High power handling extends the usability of these filters to the transmit path for inter-stage filtering. |
| Small size, 3x3mm QFN | Allows replacement of filter/attenuator pairs with a single reflectionless filter, saving board space. |
| Excellent repeatability of RF performance | Through semiconductor IPD process, X-series filters are inherently repeatable for large volume production. |
| Excellent stability over temperature | With ± 0.3 dB variation over temperature ideal for use in wide temperature range applications without the need for additional temperature compensation. |
| Operating temperature up to 105°C | Suitable for operation close to high power components. |

*IPD – Integrated Passive Device, is a GaAs semiconductor process



Reflectionless Low Pass Filter

XLF-133+

50Ω DC to 13100 MHz

Features

- Match to 50Ω in the stop band, eliminates undesired reflections
- Cascadable
- Excellent Power handling
- Temperature stable, up to 105°C
- Small size, 3 x 3 mm
- Protected by US Patent No. 8,392,495

Applications

- Harmonics Rejection
- Satellite
- Radar
- Military & Space

General Description

Mini-Circuits' XLF-133+ reflectionless filter employs a novel filter topology which absorbs and terminates stop band signals internally rather than reflecting them back to the source. This new capability enables unique applications for filter circuits beyond those suited to traditional approaches. Traditional filters are reflective in the stop band, sending signals back to the source at 100% of the power level. These reflections interact with neighboring components and often result in inter-modulation and other interferences. Reflectionless filters eliminate stop band reflections, allowing them to be paired with sensitive devices and used in applications that otherwise require circuits such as isolation amplifiers or attenuators.



Generic photo used for illustration purposes only

CASE STYLE: DQ1225

+RoHS Compliant

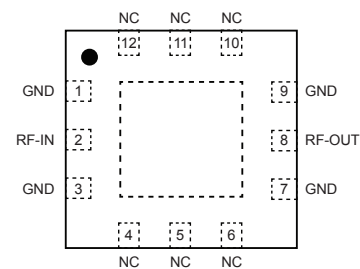
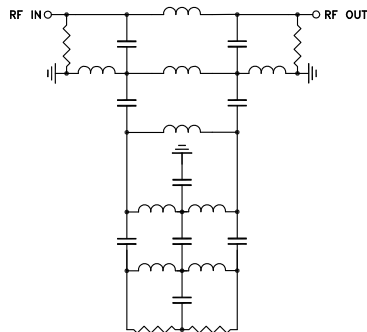
The +Suffix identifies RoHS Compliance. See our web site for RoHS Compliance methodologies and qualifications



Available Tape and Reel
at no extra cost

| Reel Size | Devices/Reel |
|-----------|-----------------------------------|
| 7" | 20, 50, 100, 200, 500, 1000, 2000 |

simplified schematic and pad description



| Function | Pad Number | Description |
|---------------------|-----------------|------------------------|
| RF-IN | 2 | RF Input Pad |
| RF-OUT | 8 | RF Output Pad |
| GND | 1,3,7,9, Paddle | Connected to ground |
| NC (GND Externally) | 4,5,6,10,11,12 | No internal connection |

Electrical Specifications¹ at 25°C

| Parameter | | F# | Frequency (MHz) | Min. | Typ. | Max. | Unit |
|-----------|-------------------|---------|-----------------|------|------|------|------|
| Pass Band | Insertion Loss | DC - F1 | DC-13100 | — | 2.0 | 2.4 | dB |
| | Frequency Cut-off | F2 | 15800 | — | 3.0 | — | dB |
| | VSWR | DC - F1 | DC-13100 | — | 1.3 | — | :1 |
| Stop Band | Rejection | F3 - F4 | 19500 - 20000 | 13 | 16 | — | dB |
| | | F4 - F5 | 20000 - 30000 | 18 | 21 | — | dB |
| | VSWR | F3 - F4 | 19500 - 20000 | — | 1.5 | — | :1 |
| | | F4 - F5 | 20000 - 30000 | — | 2.7 | — | :1 |

¹ Measured on Mini-Circuits Characterization Test Board TB-844-133+

Absolute Maximum Ratings⁴

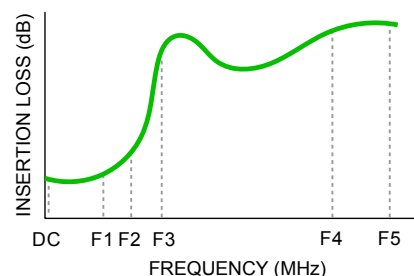
| Parameter | Ratings |
|---|-----------------|
| Operating Temperature | -55°C to +105°C |
| Storage Temperature | -65°C to +150°C |
| RF Power Input, Passband (DC-F1) ² | 2W at 25°C |
| RF Power Input, Stopband (F2-F5) ³ | 50mW at 25°C |

² Passband rating derates linearly to 1W at 105°C ambient

³ Stopband rating derates linearly to 25mW at 105°C ambient

⁴ Permanent damage may occur if any of these limits are exceeded.

Specification Definition



ESD rating

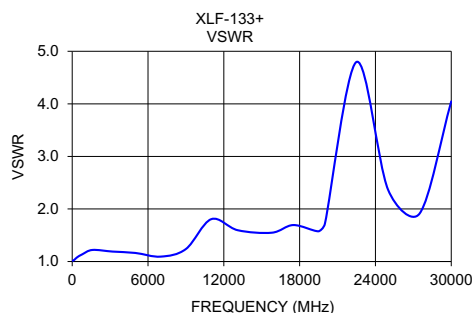
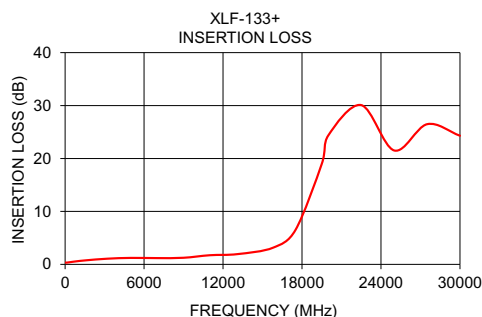
Human body model (HBM): Class 1A (250 to <500V) in accordance with ANSI/ESD 5.1-2001

MSL rating

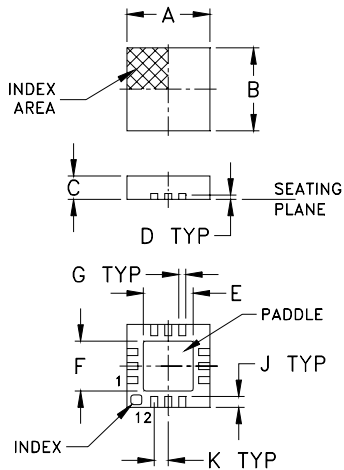
Moisture Sensitivity: MSL1 in accordance with IPC/JEDEC J-STD-020D

Typical Performance Data at 25°C

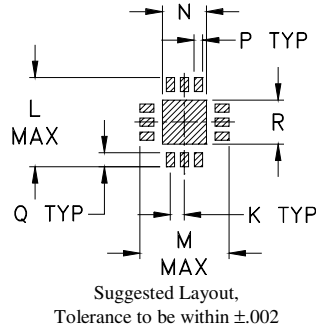
| Frequency (MHz) | Insertion Loss (dB) | VSWR (:1) |
|-----------------|---------------------|-----------|
| 10 | 0.34 | 1.02 |
| 100 | 0.33 | 1.02 |
| 200 | 0.36 | 1.04 |
| 400 | 0.42 | 1.08 |
| 800 | 0.56 | 1.14 |
| 1600 | 0.77 | 1.22 |
| 3200 | 1.07 | 1.19 |
| 5000 | 1.22 | 1.16 |
| 7000 | 1.18 | 1.09 |
| 9000 | 1.25 | 1.24 |
| 11000 | 1.73 | 1.81 |
| 13100 | 1.94 | 1.60 |
| 15800 | 3.15 | 1.55 |
| 17500 | 6.49 | 1.69 |
| 19500 | 18.98 | 1.58 |
| 20000 | 24.37 | 1.72 |
| 22500 | 30.09 | 4.80 |
| 25000 | 21.52 | 2.37 |
| 27500 | 26.48 | 1.91 |
| 30000 | 24.30 | 4.05 |



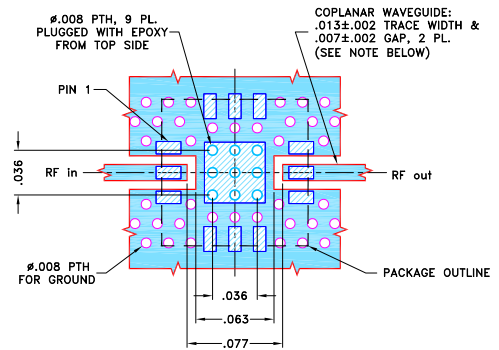
Outline Drawing





PCB Land Pattern



Demo Board MCL P/N:
TB-844-133+ (without connectors)
TB-844-133C+ (with connectors)
B20-118-F1+ Connector sold separately
Suggested PCB Layout: PL-451+

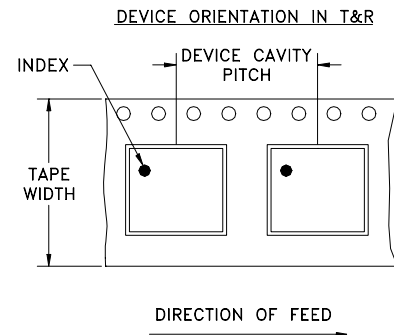


- NOTES:**
 1. TRACE WIDTH PARAMETERS ARE SHOWN FOR ROGERS RO4350B WITH DIELECTRIC THICKNESS .0066"±.0007". COPPER: 1/2 OZ. EACH SIDE. FOR OTHER MATERIALS TRACE WIDTH AND GAP MAY NEED TO BE MODIFIED.
 2. BOTTOM SIDE OF THE PCB IS CONTINUOUS GROUND PLANE.
 DENOTES PCB COPPER LAYOUT WITH SMOBC (SOLDER MASK OVER BARE COPPER).
 DENOTES COPPER LAND PATTERN FREE OF SOLDER MASK.

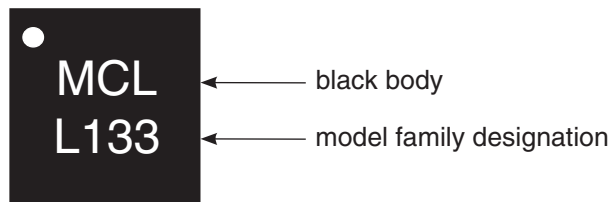
Outline Dimensions (inch / mm)

| | | | | | | | | |
|------|------|------|------|------|------|------|-------|------|
| A | B | C | D | E | F | G | H | J |
| .118 | .118 | .035 | .008 | .057 | .057 | .009 | --- | .016 |
| 3.00 | 3.00 | 0.89 | 0.20 | 1.45 | 1.45 | 0.23 | --- | 0.41 |
| K | L | M | N | P | Q | R | wt | |
| .020 | .127 | .127 | .049 | .010 | .020 | .049 | grams | |
| 0.51 | 3.23 | 3.23 | 1.24 | 0.25 | 0.51 | 1.24 | 0.02 | |

Tape & Reel Packaging



Product Marking



| Tape Width, mm | Device Cavity Pitch, mm | Reel Size, inches | Devices per Reel see note | |
|----------------|-------------------------|-------------------|---------------------------|------------|
| 8 | 4 | 7 | Small quantity standard | 20 |
| | | | | 50 |
| | | 100 | | |
| | | 200 | | |
| | | 500 | | |
| | | 7 | Standard | 1000, 2000 |