

■ XLR Features

- Rugged design to withstand extreme field use.
- Resilient socket insulator which maximizes performance in humid conditions and minimizes vibration and electrical noise.
- Highly reliable machined contacts
- Quick disconnect latch lock
- Low reflectivity satin finish
- Interchangeable & intermateable with XLB2, XLA, XLG, XLB-PC, XLM

■ Applications

- Microphones
- Test Instruments
- Mixers
- D/C Converters
- Amplifiers
- TV Cameras
- Speakers
- VCRs
- Medical Instruments
- Tuners
- Equalizers

■ Standard Data

● Specifications(Detail p4)

| | |
|---------------------------------|---|
| Rated Current | 5A-15A |
| Service Voltage | 133VAC |
| Dielectric Withstanding Voltage | 1400VAC |
| Insulation Resistance | 5000M Ω min.at 500VDC |
| Contact Resistance | 2A, 3, 4, : 5m Ω MAX 5, 6, 6A, 7 : 10m Ω MAX |

● Materials(Finishes)

| | |
|------------------|---|
| Contacts | Copper Alloy(Silver) (Gold contacts available) |
| Insulator Socket | Chloroprene |
| Pin | Nylon |
| Shell | Aluminum Alloy (Satin Nickel) |
| Barrel | Steel |
| Bushing | Chloroprene |

■ How To Order

XLR-3-11C--****

● Series Prefix

● Contact Arrangements

2A, 3, 4, 5, 6, 6A, 7 (SEE PAGE 4)

● Shell Styles

- 11C — Female Plug
- 12C — Male Plug
- 13 — Female Round Flange Receptacle
- 14 — Male Round Flange Receptacle
- 31 — Female Flange Receptacle
- 32 — Male Flange Receptacle

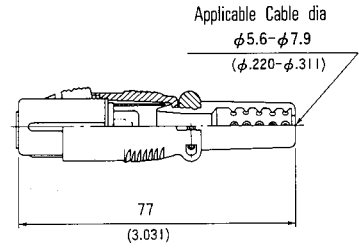
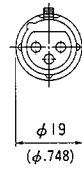
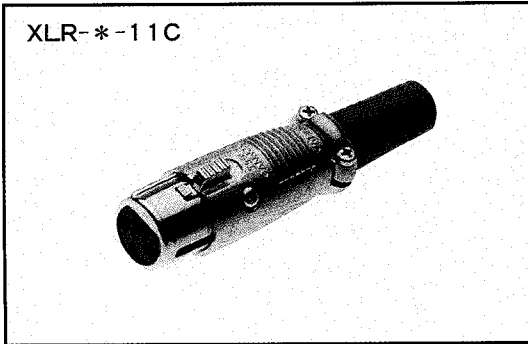
● Modifications

- F77 — Rectangular Small Flange (Receptacle 31 and 32)
- F512 — Rectangular Mini-Flange (Receptacle 32 only)
- A176 — Gold Plated Contacts

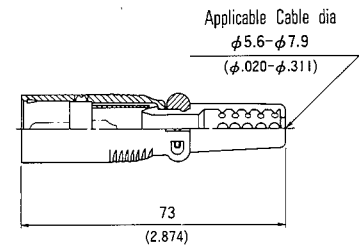
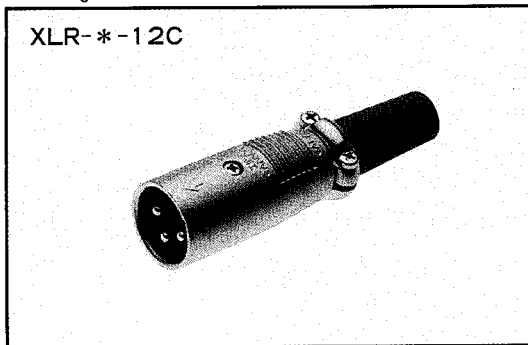
*** Black shell available. Contact Factory**

Plugs

Female Plug

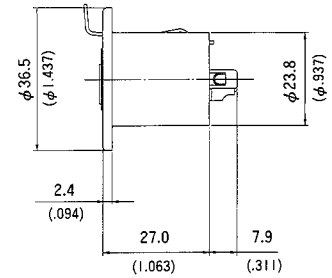
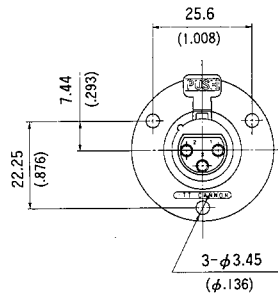
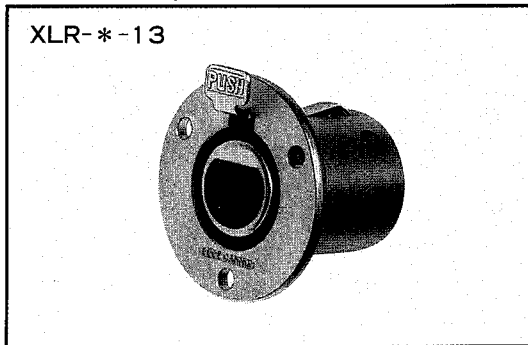


Male Plug

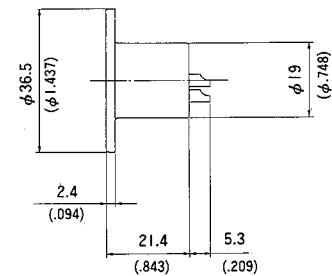
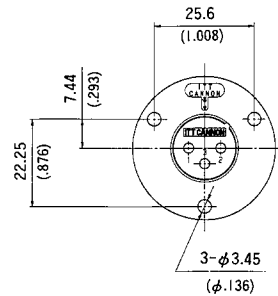
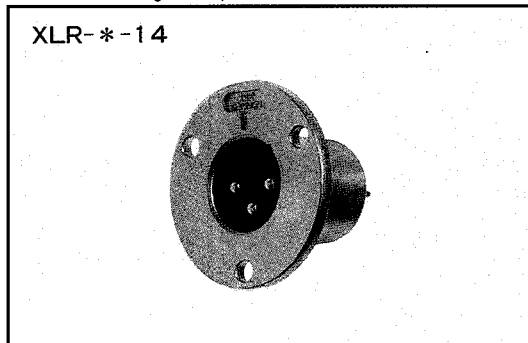


Receptacles

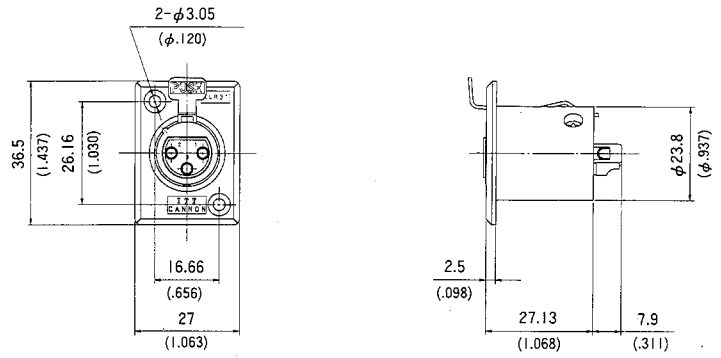
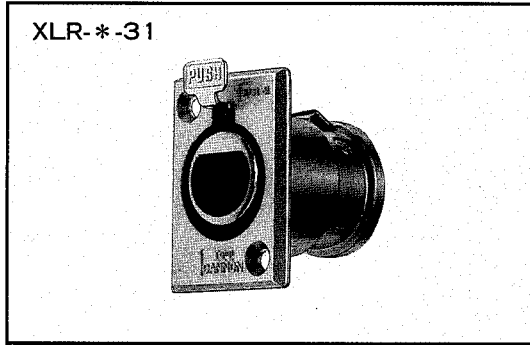
Female Round Flange Receptacles



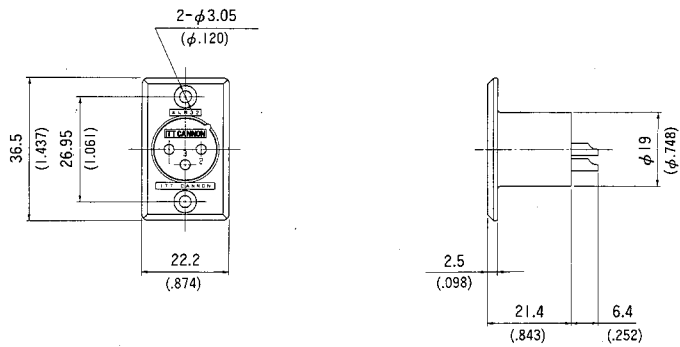
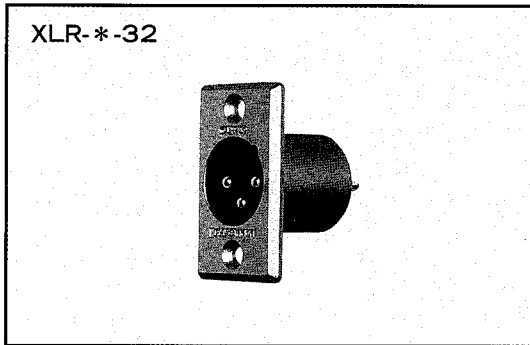
Male Round Flange Receptacles



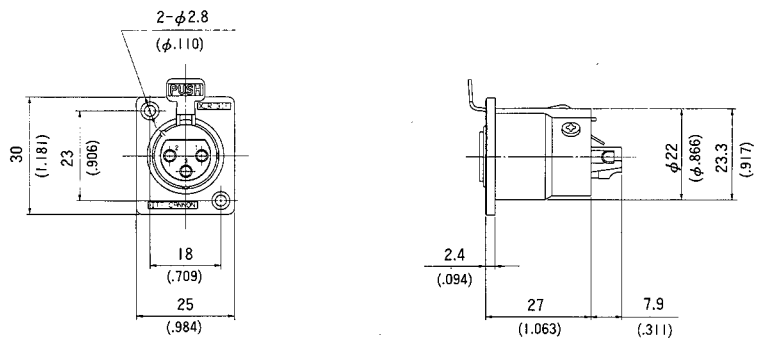
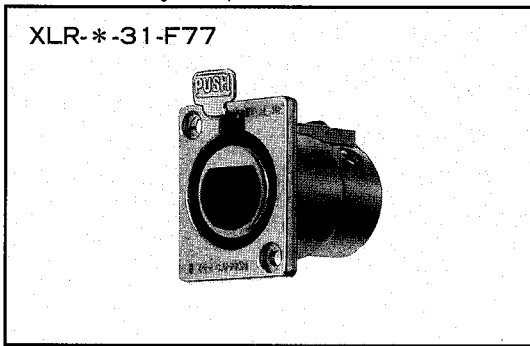
Female Flange Receptacle



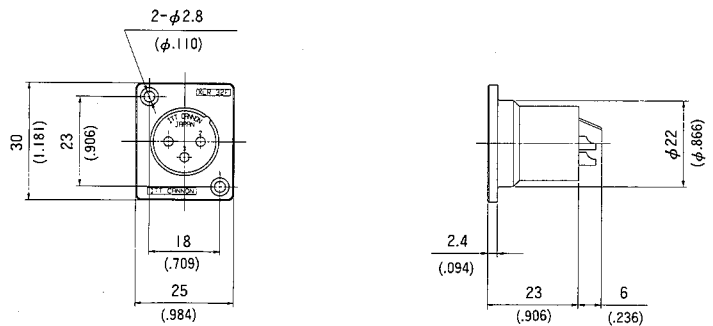
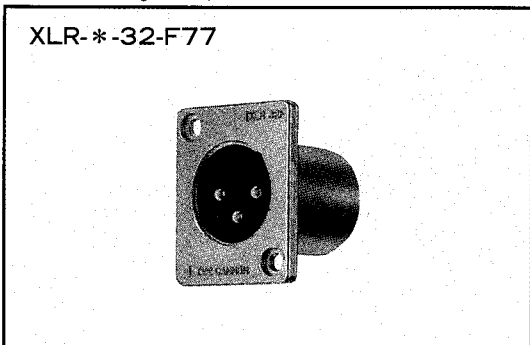
Male Flange Receptacle



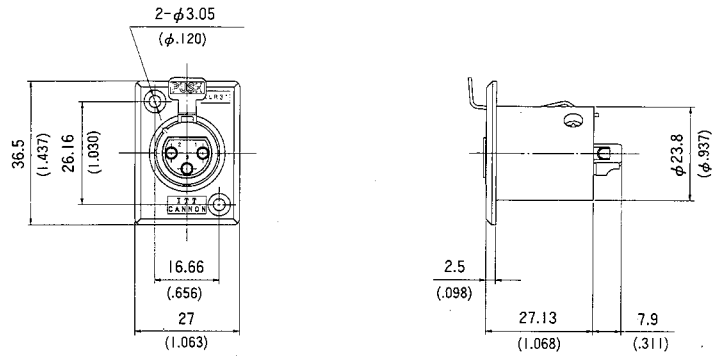
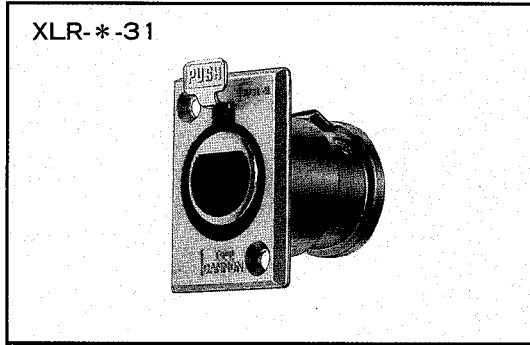
Small Female Flange Receptacle



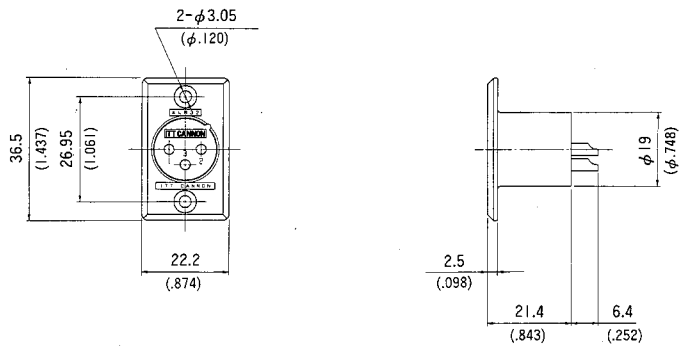
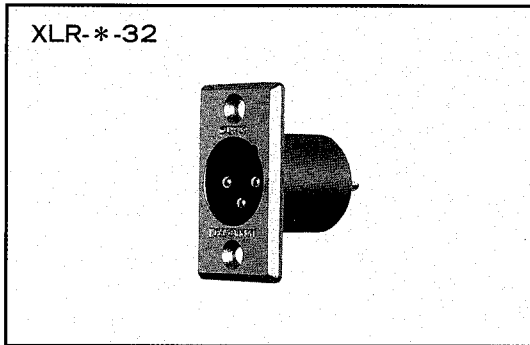
Small Male Flange Receptacle



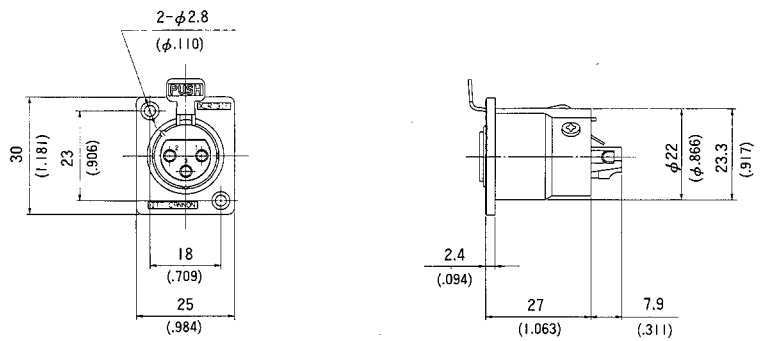
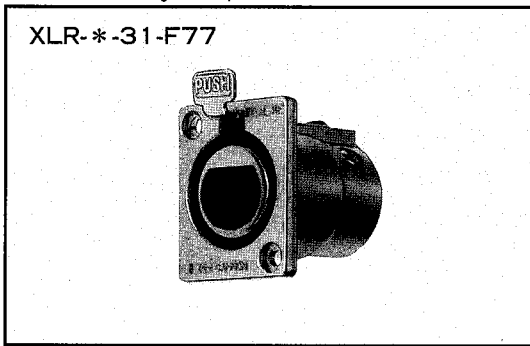
Female Flange Receptacle



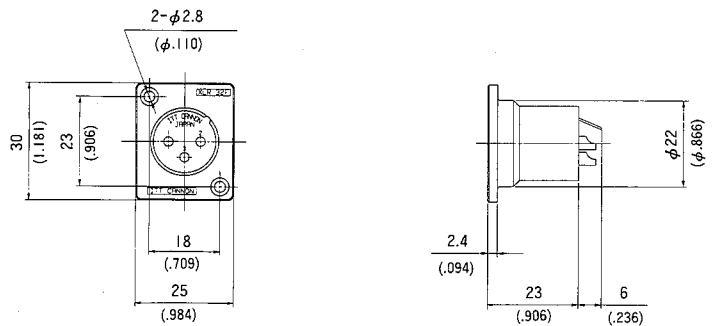
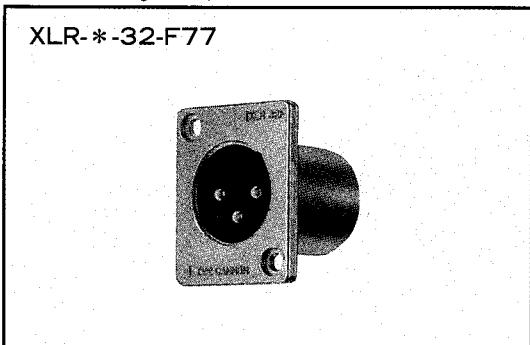
Male Flange Receptacle



Small Female Flange Receptacle

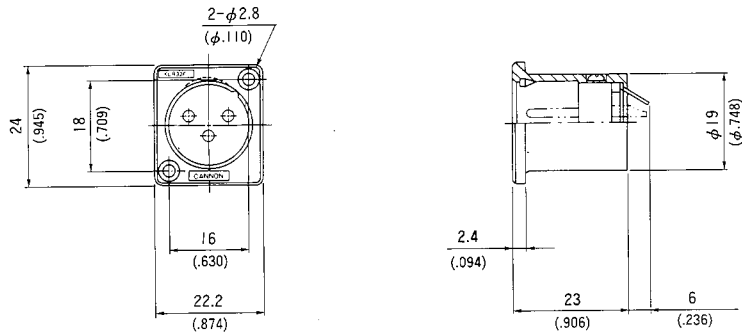
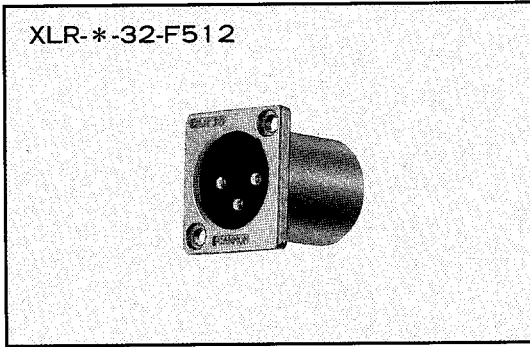


Small Male Flange Receptacle



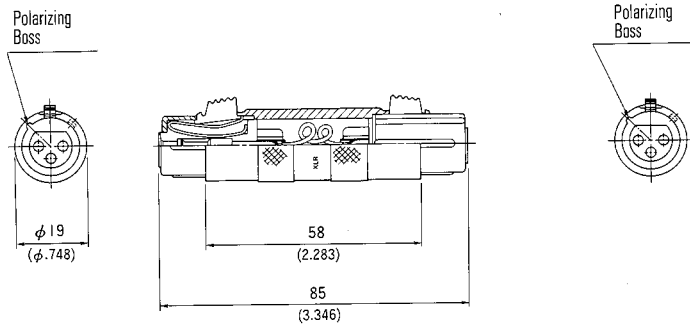
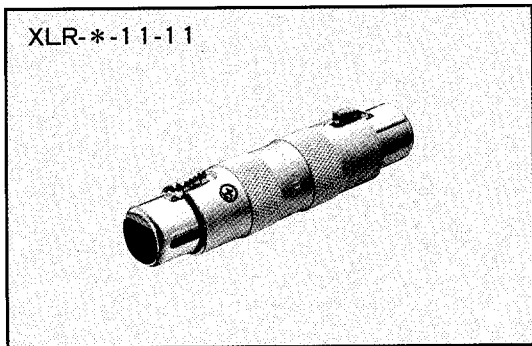
XLR

Male Mini Flange Receptacle

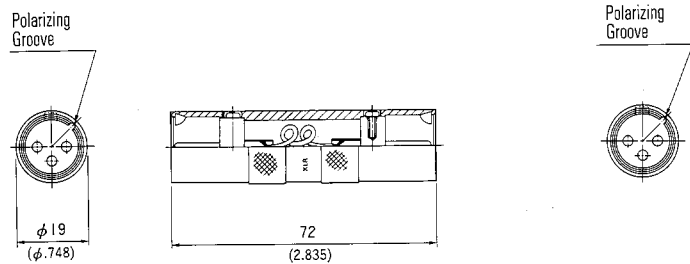
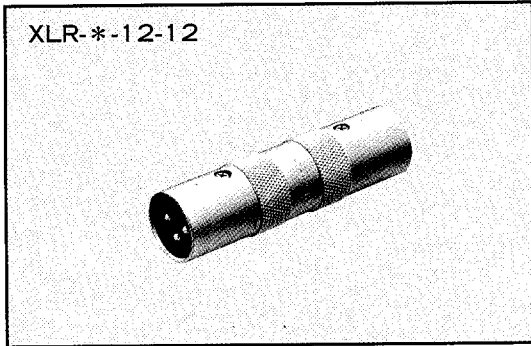


Bulkhead-Adapters

Female-Female Bulkhead



Male-Male Bulkhead



Dust Caps

| | Plastic | Metallic | For use with (Shell styles) |
|------------|----------------|-----------------|--|
| Female Cap | <p>XLR-SDC</p> | <p>XLR-13RC</p> | 11, 11B, 11C, 13, 31, 31B, 41, 41B, 31-F77 |
| Male Cap | <p>XLR-PDC</p> | <p>XLR-14PC</p> | 12, 12B, 12C, 14, 32, 32B, 42, 42B, 32-F77, 32-F512 |