

# Switchcraft®

NEW  
PRODUCT  
BULLETIN

513

## LITTEL PLUG® PHONE PLUGS



New "NC" series features rugged heavy-duty cable clamp and handle.

### FEATURES AND BENEFITS

- Designed for high quality communication equipment
- One-piece tip rod ensures electrical continuity
- Brass plug finger versions meet MIL specifications
- 'N' and 'NC' suffix versions have nickel-plated plug fingers, excellent for audio applications
- 'NC' suffix option has rugged, heavy duty cable clamp, solder terminals for easier solderability and assembly. Metal shielded handle
- "NCP" - plastic handle

### SPECIFICATIONS

**Plug Finger:** Brass, natural finish or nickel-plated  
**Terminals:** Brass, electro tinned  
**Insulation:** Ethyl cellulose, per MIL-P-22835, Type II, Class 1, or acetal resin  
**Handles:** Plastic-nylon molding plastic, Type 6, per MIL-M-20693, Type II. Shielded metal handle with red, black or nickel finish

### ORDERING INFORMATION

1. Order by part number.
2. Contact Switchcraft for more information.
3. Mating jacks available.

### 480 Series Part Numbering Chart

Part number	.206" dia. finger	1/4" dia. finger	Brass finger	Nickel finger	Handle material	Red handle	Black handle	Nickel handle	Standard cable clamp	Large cable clamp
480	•		•		Plastic		•		•	
482		•	•		Plastic	•			•	
482N		•		•	Plastic	•			•	
482NC		•		•	Metal	•				•
482NCP		•		•	Plastic	•				•
483		•	•		Plastic		•		•	
483N		•		•	Plastic		•		•	
483NC		•		•	Metal		•			•
483NCP		•		•	Plastic		•			•
484	•		•		Plastic	•			•	
485NC		•		•	Metal			•		•

FAX

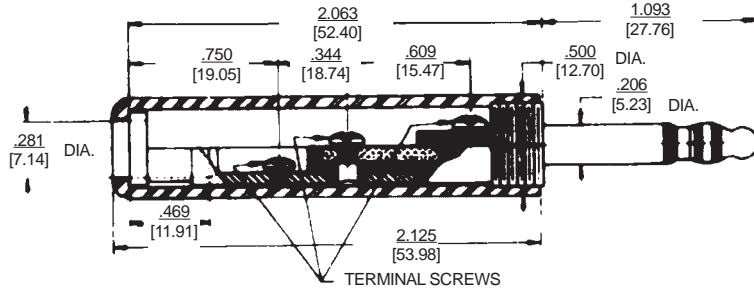
To: \_\_\_\_\_

From: \_\_\_\_\_

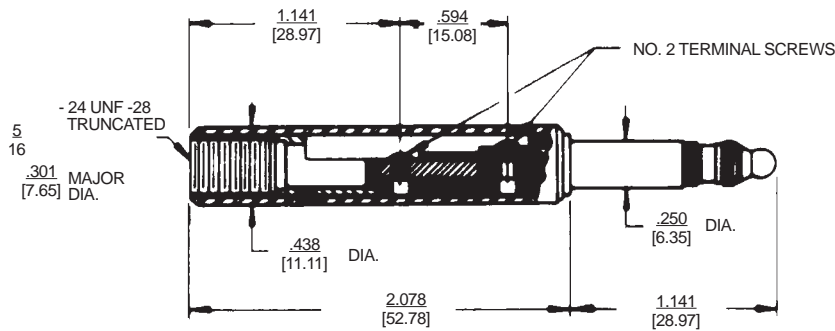
Date: \_\_\_\_\_

**Switchcraft®**

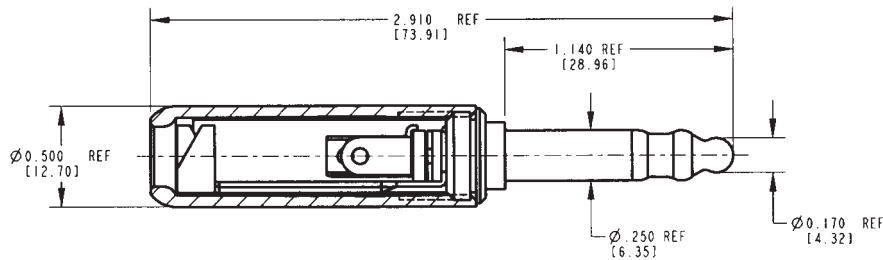
# Switchcraft®



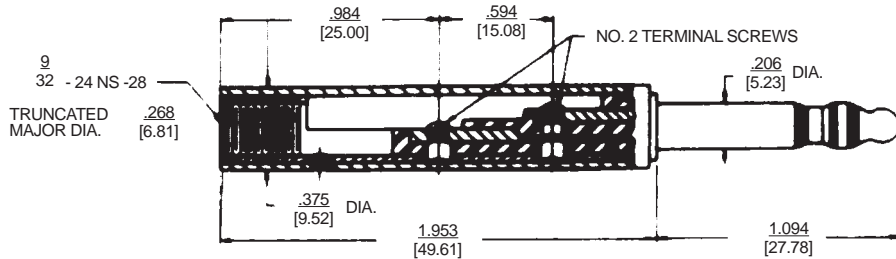
PART NO. 480



PART NO. 482, 483, 482N, 483N



PART NO. 482NC, 482NCP, 483NC, 483NCP, 485NC



PART NO. 484

DIMENSIONS ARE FOR REFERENCE ONLY  $\frac{\text{Inch}}{\text{(mm)}}$

Switchcraft, Inc. is a major manufacturer of a broad line of electronic/electromechanical components for the audio/video, telecommunication, data communication, computer, medical, military, appliance, transportation and instrumentation markets.

**Switchcraft®**

SWITCHCRAFT, INC.  
 5555 NORTH ELSTON AVENUE  
 CHICAGO, IL 60630  
 FAX: (773) 792-2129  
 www.switchcraft.com  
 Switchcraft® — Consistently Excellent Since 1946<sup>SM</sup>

We reserve the right to change prices, specifications and/or part numbers contained herein when circumstances make it necessary.