



Main

| | |
|---------------------------|------------------------------|
| Range of Product | Preventa Safety automation |
| Product or Component Type | Safe speed monitoring module |
| Device short name | XPSMCM |
| Electrical Connection | Spring terminal |
| [Us] rated supply voltage | 24 V - 20...20 % DC |
| Discrete input voltage | 24 V DC |
| Function of module | Speed monitoring |

Complementary

| | |
|----------------------------|-----------------------------------------------------------------------------------------------------------------------------------------------------------------------------------------------------------------------------------------------------------------------------------------------------------------------------------------------------------------------------------------------------------------------------------------------------------------------------------------------------------------------------------------------------------------------------|
| Power Consumption in W | 3 W |
| Power dissipation in W | 3 W |
| Integrated connection type | Backplane expansion bus |
| Safety level | Can reach category 4 EN/ISO 13849-1 Can reach PL = e EN/ISO 13849-1 Type 4 EN/IEC 61496-1 SILCL 3 IEC 62061 |
| Quality labels | CE |
| Number of terminal blocks | 4 |
| Local signalling | 1 LED green PWR power ON 1 LED green RUN RUN (status) 1 LED red E IN internal error 1 LED red E EX external error 2 LEDs orange ADDR node address 1 LED yellow ENC encoder connection status 2 LEDs yellow PROX proximity sensors connection status 2 LEDs yellow SH speed monitoring status |
| Connections - terminals | 1 spring clamp terminals, removable terminal block 2 spring clamp terminals, removable terminal block |
| Maximum input frequency | 5 KHz sensor 300 kHz encoder HTL |
| Sensor Type | Inductive proximity sensor |
| Electrical connection | 1 connector RJ45 EIA/TIA-568-A |
| Cable cross section | 0.00...0.00 In ² (0.2...2.5 mm ²) - AWG 24...AWG 14 flexible without cable end 0.00...0.00 In ² (0.2...2.5 mm ²) - AWG 24...AWG 14 solid without cable end 0.00...0.00 In ² (0.25...2.5 mm ²) - AWG 23...AWG 14 flexible with cable end, with bezel 0.00...0.00 In ² (0.25...2.5 mm ²) - AWG 23...AWG 14 flexible with cable end, without bezel 0.00...0.00 in ² (0.5...1 mm ²) - AWG 20...AWG 18 flexible with cable end, with double bezel |
| Mounting support | Omega 35 mm DIN rail EN 50022 |
| Depth | 0.89 in (22.5 mm) |
| Height | 3.90 in (99 mm) |
| Width | 4.51 in (114.5 mm) |
| Net Weight | 0.62 lb(US) (0.28 kg) |

The information provided in this documentation contains general descriptions and/or technical characteristics of the products contained herein. This documentation is not intended as a substitute for and is not to be used for determining suitability or reliability of these products for specific user applications. It is the duty of any such user or integrator to perform the appropriate and complete risk analysis, evaluation and testing of the products with respect to the relevant specific application or use thereof. Neither Schneider Electric Industries SAS nor any of its affiliates or subsidiaries shall be responsible or liable for misuse of the information contained herein.

Environment

| | |
|----------------------------------------|-------------------------------------------------------------------------------------------------------------------------------------------------------------------------------------------------------------------------------------------------------------------------------------------------------------------------|
| Standards | EN/IEC 61496-1 EN/IEC 61508 IEC 62061 EN/IEC 61800-5-1 EN/ISO 13849-1 |
| Product Certifications | CULus RCM TÜV |
| IP degree of protection | IP20 enclosure) |
| Ambient air temperature for operation | 14...131 °F (-10...55 °C) |
| Ambient air temperature for storage | -4...185 °F (-20...85 °C) |
| Relative Humidity | 10...95 % |
| Pollution degree | 2 |
| [Uimp] rated impulse withstand voltage | 4 kV EN/IEC 61800-5 |
| Insulation | 250 V AC between power supply and housing EN/IEC 61800-5-1 |
| Overvoltage category | II |
| Electromagnetic compatibility | Electrostatic discharge immunity test 6 kV on contact) EN/IEC 61000-4-2 Electrostatic discharge immunity test 20 kV on air) EN/IEC 61000-4-2 Susceptibility to electromagnetic fields 10 V/m 80...1000 MHz) EN/IEC 61000-4-3 Susceptibility to electromagnetic fields 30 V/m 1.4 GHz...2 GHz) EN/IEC 61000-4-3 |
| Vibration resistance | +/-0.35 mm 10...55 Hz)EN/IEC 61496-1 |
| Shock resistance | 10 gn 16 ms) 1000 shocks on each axis EN/IEC 61496-1 |
| Service Life | 20 year(s) |



Ordering and shipping details

| | |
|-------------------|---------------------------------|
| Category | 22477-SAFETY MODULES (PREVENTA) |
| Discount Schedule | SAF2 |
| GTIN | 3606480748677 |
| Returnability | No |
| Country of origin | IT |

Packing Units

| | |
|------------------------------|------------------------|
| Unit Type of Package 1 | PCE |
| Number of Units in Package 1 | 1 |
| Package 1 Height | 1.77 in (4.5 cm) |
| Package 1 Width | 5.04 in (12.8 cm) |
| Package 1 Length | 6.38 in (16.2 cm) |
| Package 1 Weight | 8.40 oz (238.0 g) |
| Unit Type of Package 2 | S01 |
| Number of Units in Package 2 | 6 |
| Package 2 Height | 5.91 in (15.0 cm) |
| Package 2 Width | 5.91 in (15.0 cm) |
| Package 2 Length | 15.75 in (40.0 cm) |
| Package 2 Weight | 3.68 lb(US) (1.668 kg) |

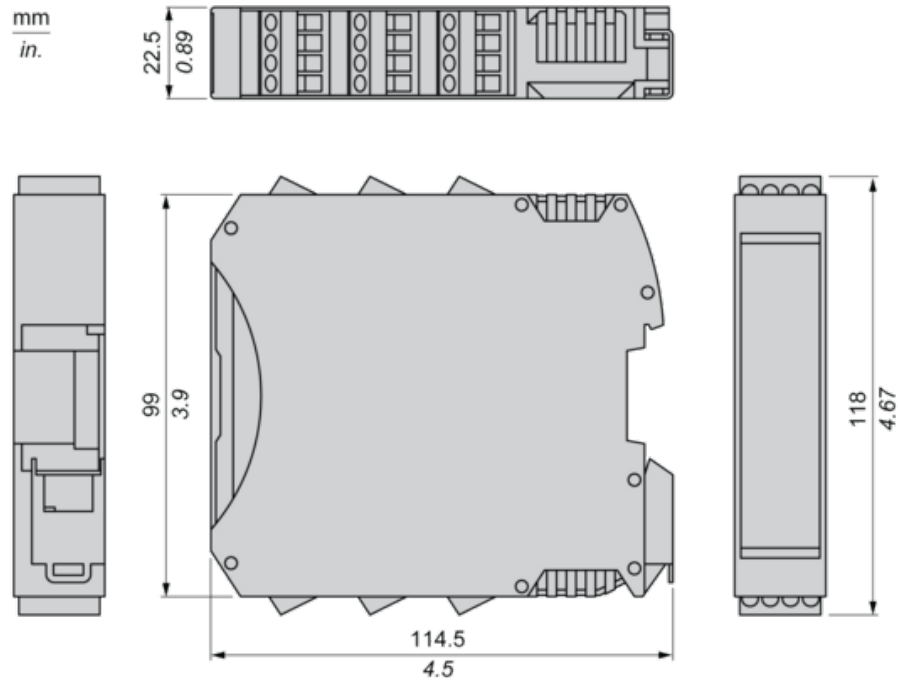
Offer Sustainability

| | |
|---------------------------|---------------------------------------------------------------------------------------------------------------------------------------------------------------------------------------------------------------------------------------------------------------------------------------------|
| Sustainable offer status | Green Premium product |
| California proposition 65 | WARNING: This product can expose you to chemicals including: Lead and lead compounds, which is known to the State of California to cause cancer and birth defects or other reproductive harm. For more information go to www.P65Warnings.ca.gov |
| REACH Regulation |  REACH Declaration |
| REACH free of SVHC | Yes |
| EU RoHS Directive | Pro-active compliance (Product out of EU RoHS legal scope)  EU RoHS Declaration |

| | |
|----------------------------|------------------------------------------------------------------------------------------------------------------------------|
| Mercury free | Yes |
| China RoHS Regulation | China RoHS Declaration |
| RoHS exemption information | Yes |
| Environmental Disclosure | Product Environmental Profile |
| Circularity Profile | End Of Life Information |
| WEEE | The product must be disposed on European Union markets following specific waste collection and never end up in rubbish bins. |
| PVC free | Yes |

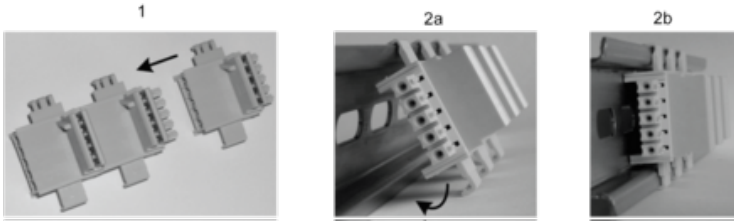
Dimensions

Spring Terminal



Mounting Safety Controller CPU with Module(s)

Mount BackPlane Connector on Rail



- 1 : Connect as much Backplane Connector as module to be install.
- 2 : Fix the connectors to the rail (Top first).

Mount Safety Controller CPU with Other Module(s)



- 1 : Mount controller CPU and modules on rail.
- 2 : Make sure that the controller CPU or the module(s) are plugged on the BackPlane connector.