

## 18-20GHz 2-way Wilkinson Power Divider

**PDW07691**

[www.knowlesc capacitors.com](http://www.knowlesc capacitors.com)

### DESCRIPTION

DLI's 18-20GHz 2-way power divider / combiner offers unmatched size and performance in a surface mount configuration. This power divider utilizes DLI's low loss temperature stable materials which offer small size and minimal performance variation over temperature.

### FEATURES

- Small Size
- Frequency Stable over Temperature
- Solder Surface Mount Package
- Excellent Repeatability
- Moisture Sensitivity Level: MSL1
- Operating & Storage Temp: -55°C to +125°C
- Characteristic Impedance: 50Ω

### Packaging and Ordering Information:

To request Tape and Reel packaging, please order part number PDW07691-T, see additional data on page 5.

### SPECIFICATIONS\*

Parameter	Frequency Range (GHz)	Min	Typ.	Max	
Nominal Power Splitting (dB)	18-20		3.0		
Nominal Phase Shift (Deg)			0.0		
Amplitude Balance (dB)				± .25	
Phase Balance (Deg)				± 5.0	
Excess Insertion Loss (dB)				0.5	
Return Loss (dB)			15		
Isolation (dB)			15	20	
CW Input Power** (W)					10



\*Electrical specifications based on typical mounted performance at room temperature. Insertion loss shall vary  $\pm 0.5$ dB over temperature.

\*\*Power rating assumes the component will be mounted to a PCB with good thermally conducting ground vias as outlined in the recommended PCB layout that are connected to an adequate heat sink. Max power is based on 85°C base temperature and use as a divider

Information in this document is for informational and guideline purposes only. All information regarding the Product described in this datasheet is subject to change from time to time at Knowles Precision Devices' sole discretion. It is the customer's sole responsibility to evaluate the suitability of the Product in the customer's particular application. Knowles Precision Devices assumes no responsibility or liability for the use of the information contained within.

2777 Route 20 East, Cazenovia, NY 13035 | Phone: (315)655-8710

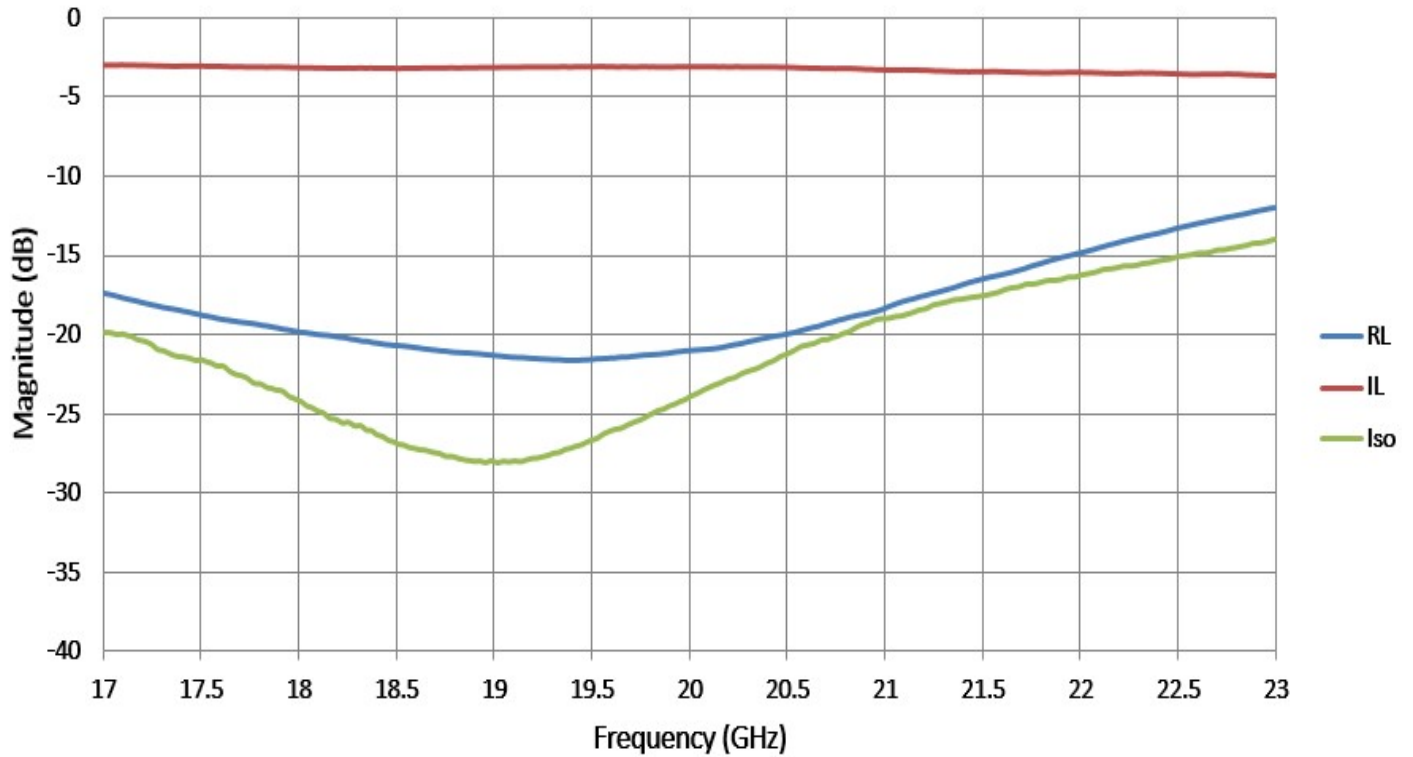
To Order Contact [KCCSales@knowles.com](mailto:KCCSales@knowles.com) | For Technical Inquiries Contact [DLIengineering@knowles.com](mailto:DLIengineering@knowles.com)

## 18-20GHz 2-way Wilkinson Power Divider

**PDW07691**

[www.knowlescapacitors.com](http://www.knowlescapacitors.com)

### Typical Measured Performance



\*Typical de-embedded measured performance mounted on a connectorized test fixture. DEB is 0.010 in. RO4350B with 50.0Ohm CPW ground traces going into the ports at room temperature.

2777 Route 20 East, Cazenovia, NY 13035 | Phone: (315)655-8710

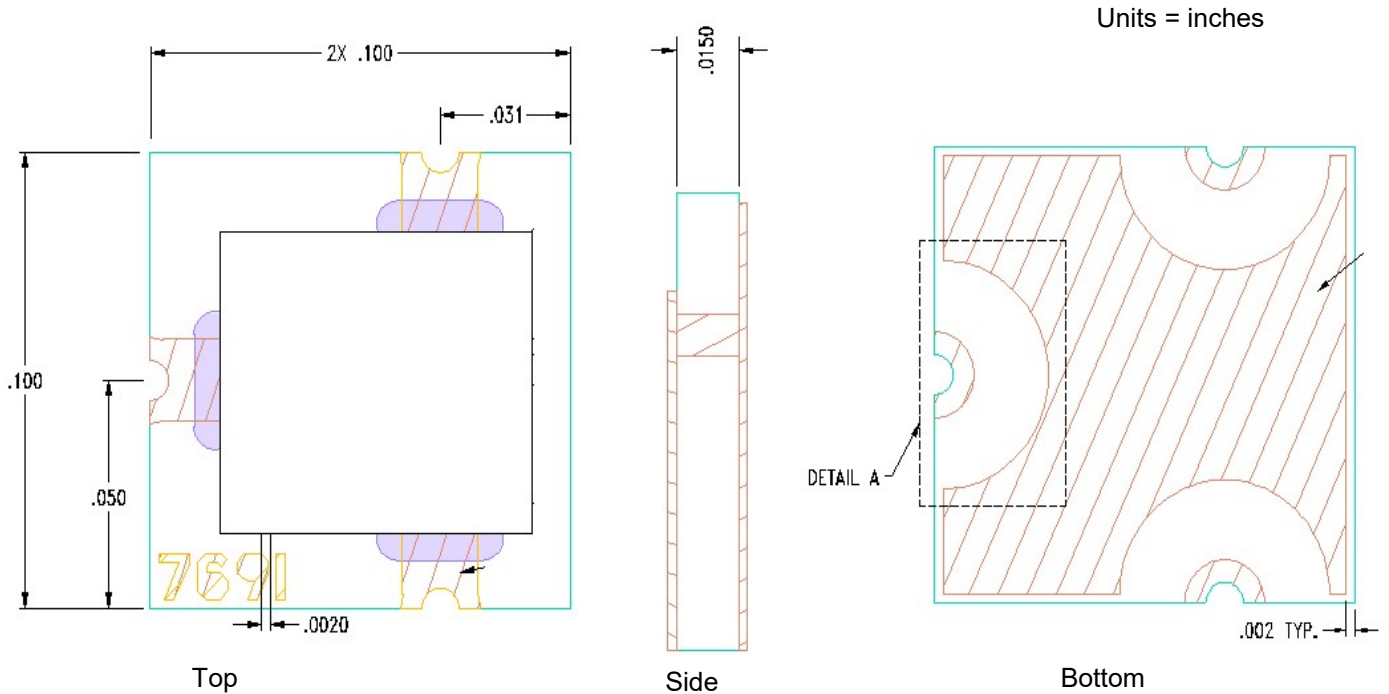
To Order Contact [KCCSales@knowles.com](mailto:KCCSales@knowles.com) | For Technical Inquiries Contact [DLengineering@knowles.com](mailto:DLengineering@knowles.com)

**18-20GHz 2-way Wilkinson Power Divider**

**PDW07691**

[www.knowlescapacitors.com](http://www.knowlescapacitors.com)

**Physical Dimensions**



**Notes :**

1. Termination Finish:

ENIG: 3 - 6 μinch Au over 50 μinch Ni

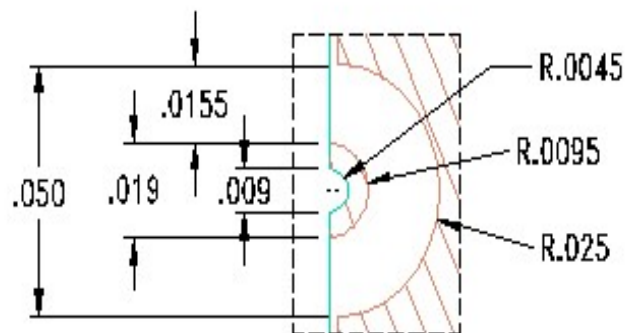
2. Maximum Assembly Process Temperature: 250°C

**Tolerances:**

For values with 3 decimal places ±0.001

For values with 4 decimal places ±0.0005

**DETAIL A**  
(3 PLACES)



2777 Route 20 East, Cazenovia, NY 13035 | Phone: (315)655-8710

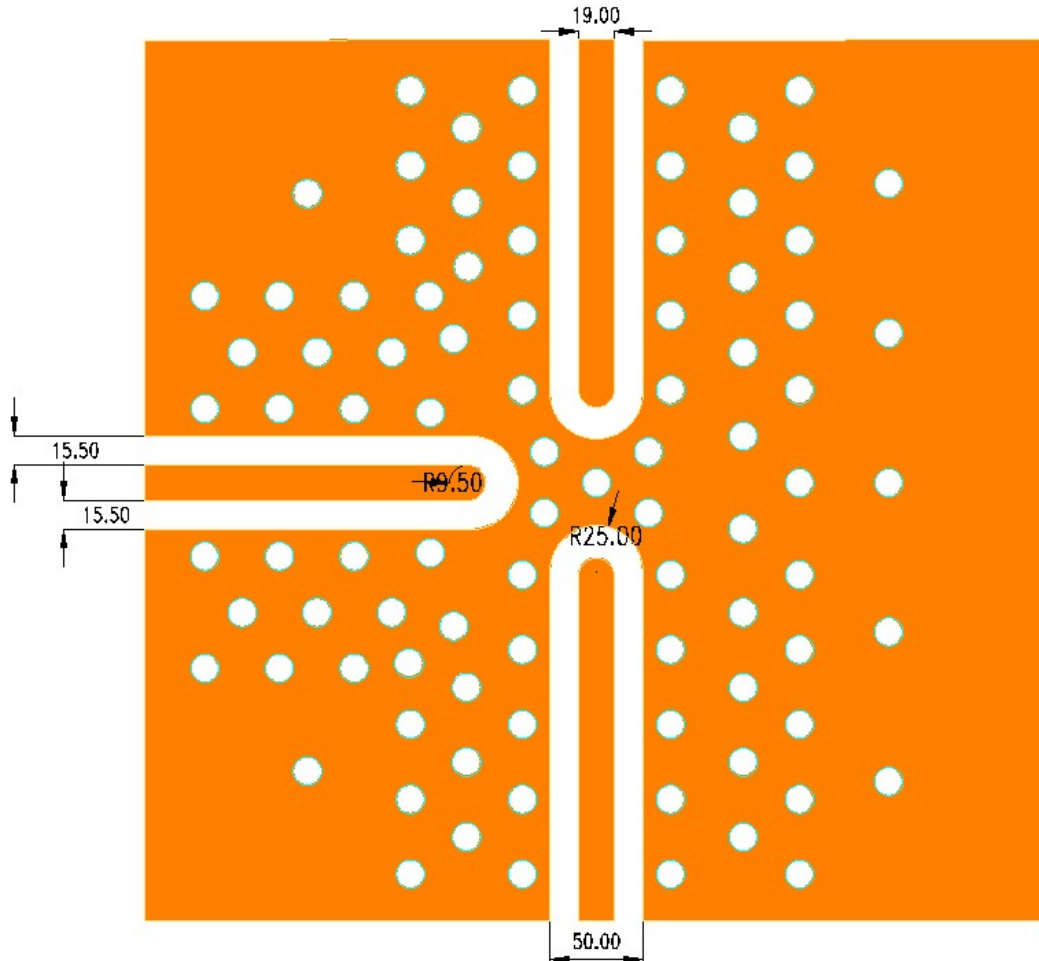
To Order Contact [KCCSales@knowles.com](mailto:KCCSales@knowles.com) | For Technical Inquiries Contact [DLIengineering@knowles.com](mailto:DLIengineering@knowles.com)

## 18-20GHz 2-way Wilkinson Power Divider

**PDW07691**

[www.knowlescapacitors.com](http://www.knowlescapacitors.com)

### Recommended PCB Layout unit = mils



- 10 mil Rogers Board , RO4350B
- 15 mil Gap Between the ground and RF trace
- 19 mil Trace width
- 1oz (1.4 mil) copper plate thickness

For further details and best practices, reference the **Microwave Products Guide**, available at:  
<https://www.knowlescapacitors.com/Support/Catalogs>

2777 Route 20 East, Cazenovia, NY 13035| Phone: (315)655-8710

To Order Contact [KCCSales@knowles.com](mailto:KCCSales@knowles.com) | For Technical Inquiries Contact [DLengineering@knowles.com](mailto:DLengineering@knowles.com)