

10GHz 2-way Wilkinson Power Divider

PDW06399

DESCRIPTION

DLI's 10GHz 2-way power divider / combiner offers unmatched size and performance in a surface mount configuration. This power divider utilizes DLI's low loss temperature stable materials which offer small size and minimal performance variation over temperature.

FEATURES

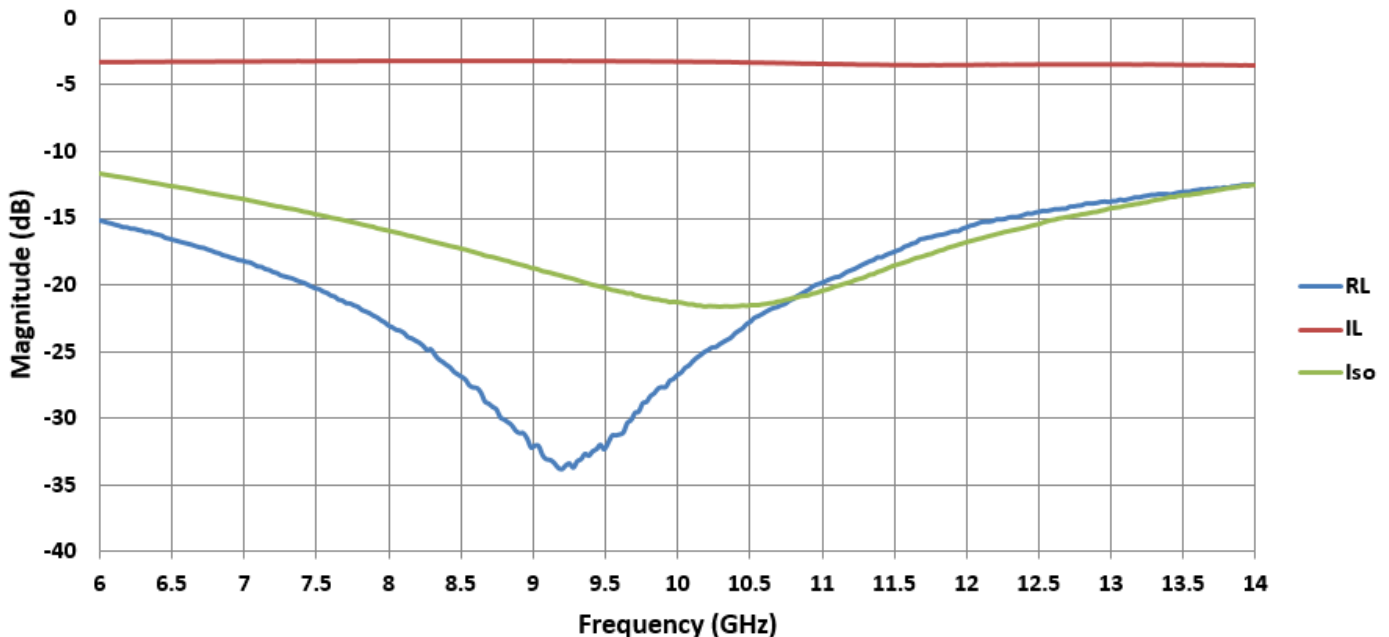
- Small Size
- Frequency Stable over Temperature
- Solder Surface Mount Package
- Excellent Repeatability
- Operating Temp: -55°C to +125°C
- Characteristic Impedance: 50Ω

SPECIFICATIONS*

Parameter	Frequency Range (GHz)	Min	Typ.	Max	
Nominal Power Splitting (dB)	9-11		3.0		
Nominal Phase Shift (Deg)			0.0		
Amplitude Balance (dB)					± .25
Phase Balance (Deg)					± 5.0
Excess Insertion Loss (dB)					0.4
Return Loss (dB)			14	20	
Isolation (dB)			14		
Input Power (W)					TBD

*Electrical specifications based on typical probed performance at room temperature. Insertion loss shall vary ±0.5dB over temperature.

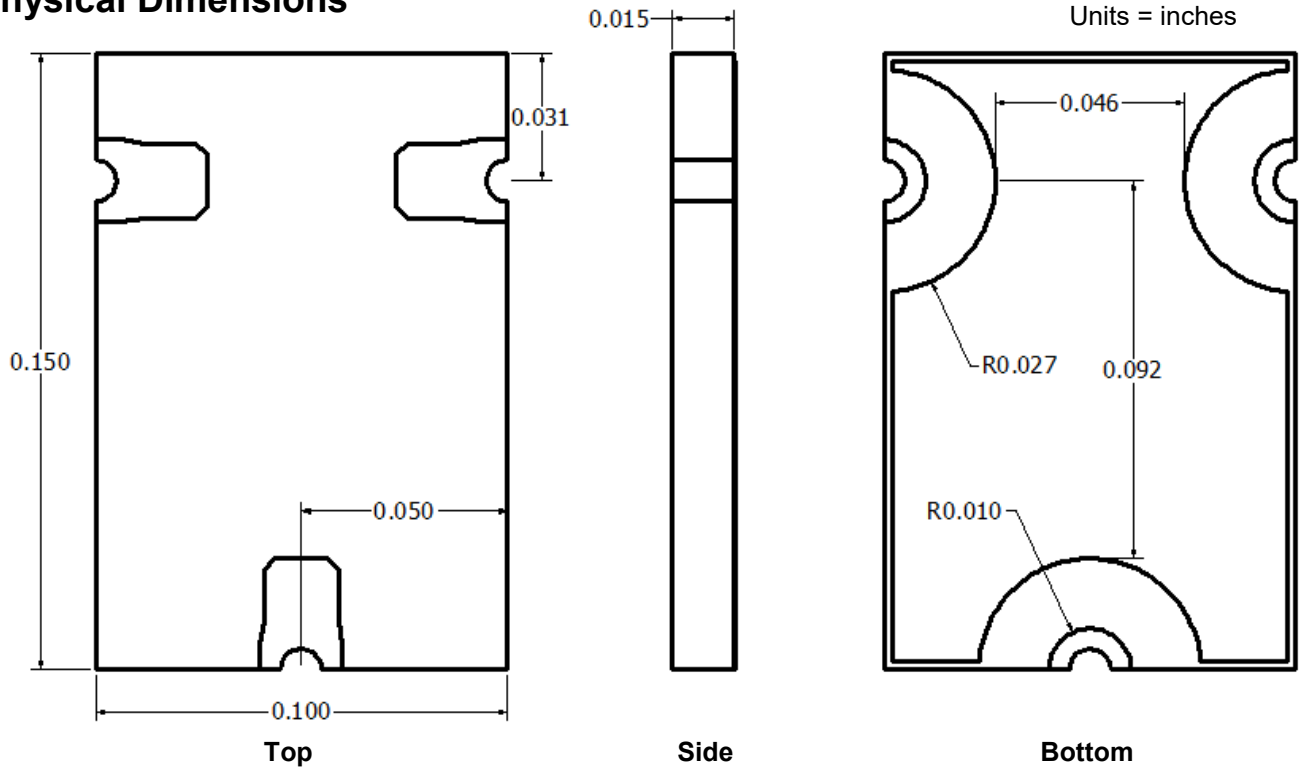
Typical Measured Performance



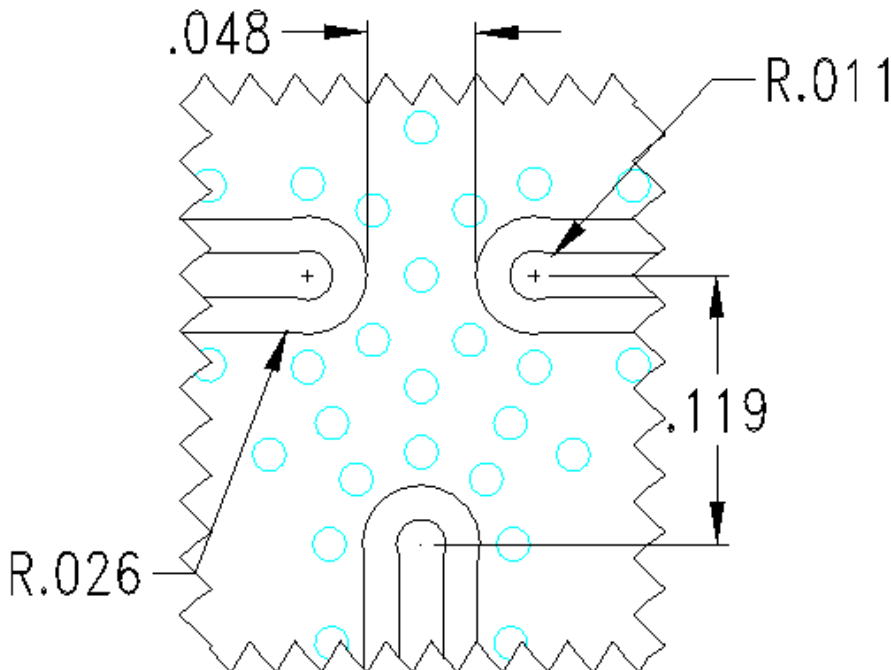
10GHz 2-way Wilkinson Power Divider

PDW06399

Physical Dimensions



Recommended PCB Layout



- 50Ω trace dimensions are application specific.
- Ensure adequate grounding beneath the part.

