

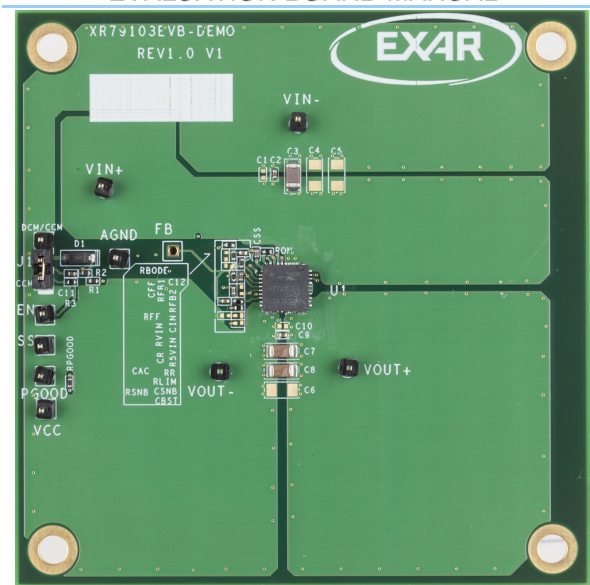
**22V, 3A Synchronous Step-Down COT Power Module**

April 2016

Rev. 1A

GENERAL DESCRIPTION

The XR79103 is part of a family of 22V synchronous step-down power modules combining the controller, drivers, inductor, passive components and MOSFETs in a single package for point-of-load supplies. This module requires very few external components leading to ease of design and fast time to market. The XR79103 has load current rating of 3A. A wide 4.5V to 22V input voltage range allows for single supply operation from industry standard 5V, 12V and 19.6V rails. With a proprietary emulated current mode Constant On-Time (COT) control scheme, the XR79103 provides extremely fast line and load transient response using ceramic output capacitors. It requires no loop compensation, simplifying circuit implementation and reducing overall component count. The control loop also provides 0.2% load and 0.2% line regulation and maintains constant operating frequency. A selectable power saving mode, allows the user to operate in Discontinuous Current Mode (DCM) at light current loads, significantly increasing the converter efficiency. A host of protection features, including overcurrent, over temperature, short-circuit and UVLO, helps achieve safe operation under abnormal operating conditions. The XR79103 is available in a RoHS-compliant, green/halogen-free space-saving 6mm x 6mm x 4mm QFN package.

EVALUATION BOARD MANUAL**FEATURES**

- 3A step-down power module
 - 4.5V to 22V wide single input voltage
 - $\geq 0.6V$ adjustable output voltage
- Controller, drivers, inductor, passive components and MOSFETs integrated in one package
- Proprietary constant on-time control
 - No loop compensation required
 - Stable with ceramic output capacitors
 - Programmable 100ns to 1 μ s on-time
 - Constant 600kHz to 800kHz frequency
 - Selectable CCM or DCM/CCM operation
- Precision enable and power-good flag
- Programmable soft-start
- 6mm x 6mm x 4mm QFN package



22V, 3A Synchronous Step-Down COT Power Module

April 2016

Rev. 1A

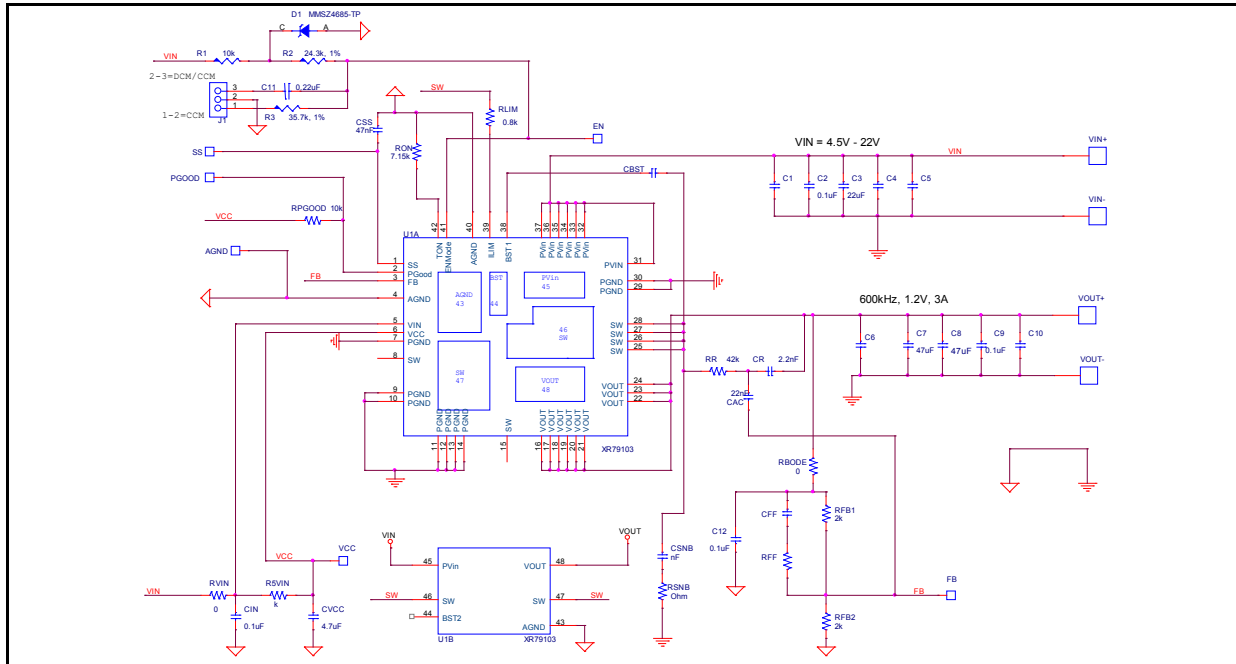


Fig. 1: XR79103 Evaluation Board Schematics

PIN CONFIGURATION

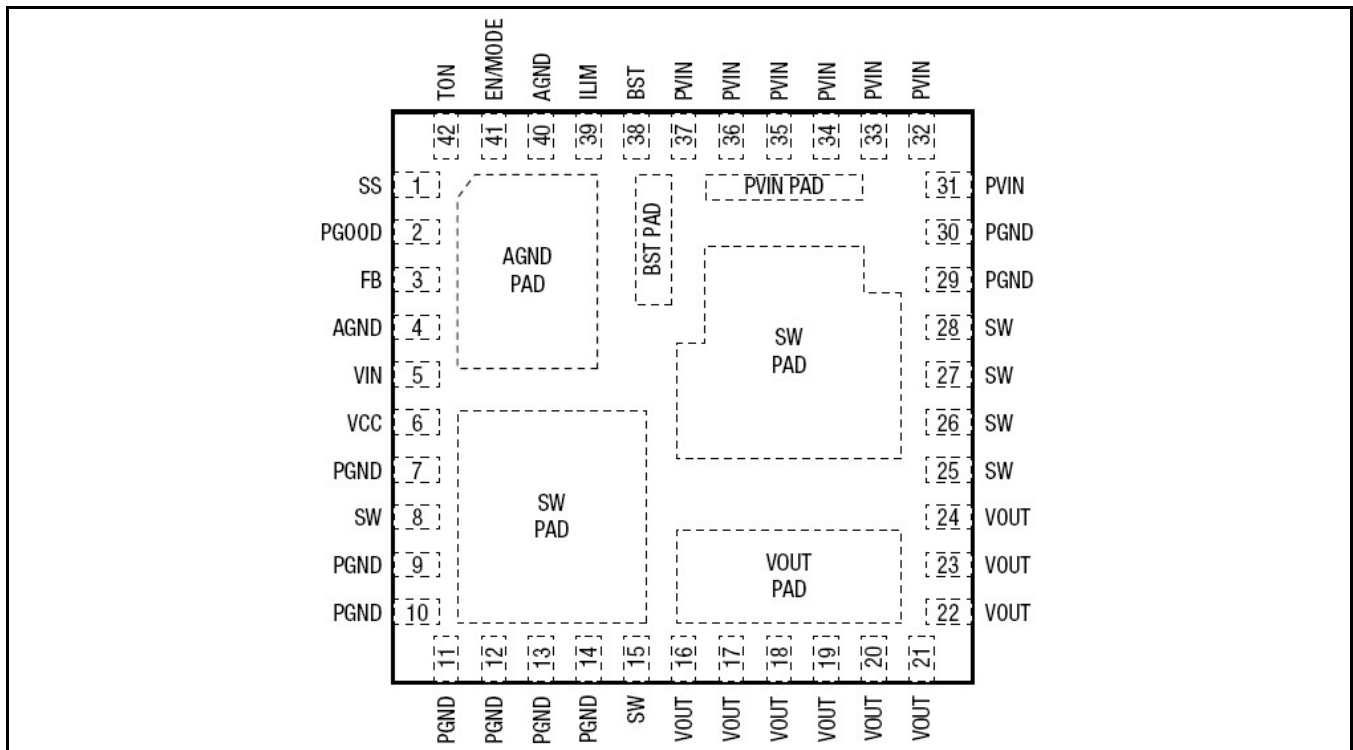


Fig. 2: XR79103 Pin Assignment

**22V, 3A Synchronous Step-Down COT Power Module****PIN FUNCTIONS**

Pin Number	Pin Name	Type	Description
1	SS	A	Soft-start pin. Connect an external capacitor between SS and AGND to program the soft-start rate based on the 10 μ A internal source current.
2	PGOOD	OD, O	Power-good output. This open-drain output is pulled low when V _{OUT} is outside the regulation.
3	FB	A	Feedback input to feedback comparator. Connect with a set of resistors to V _{OUT} and AGND in order to program V _{OUT} .
4, 40, AGND Pad	AGND	A	Analog ground. Control circuitry of the IC is referenced to this pin. Connect to PGND.
5	VIN	PWR	IC supply input. Provides power to internal LDO. Connect to PVIN pins.
6	VCC	PWR	The output of LDO. Bypass with a 4.7 μ F capacitor to AGND.
7	PGND	PWR	Controller low-side driver ground. Connect with a short trace to closest PGND pins or PGND pad.
9-14, 29, 30	PGND	PWR	Ground of the power stage. Should be connected to the system's power ground plane.
8, 15, 25-28, SW Pads	SW	PWR	Switching node. It internally connects the source of the high-side FET, the drain of the low-side FET, the inductor and bootstrap capacitor. Pins 8 and 15 maybe left floating. Use thermal vias and/or sufficient PCB land area in order to heatsink the low-side FET and the inductor.
16-24, VOUT Pad	VOUT	PWR	Output of the power stage. Place the output filter capacitors as close as possible to these pins.
31-37, PVIN Pad	PVIN	PWR	Power stage input voltage. Place the input filter capacitors as close as possible to these pins.
38, BST Pad	BST	A	Controller high-side driver supply pin. It is internally connected to SW via a 0.1 μ F bootstrap capacitor. Leave this pin floating.
39	ILIM	A	Overcurrent protection programming. Connect with a short trace to SW pins.
41	EN/MODE	I	Precision enable pin. Pulling this pin above 1.9V will turn the IC on and it will operate in forced CCM. If the voltage is raised above 3.0V, then the IC will operate in DCM or CCM depending on load.
42	TON	A	Constant on-time programming pin. Connect with a resistor to AGND.

NOTE:

A = Analog, I = Input, O = Output, OD = Open Drain, PWR = Power.

ORDERING INFORMATIONRefer to XR79103 datasheet and/or www.exar.com for exact and up to date ordering information.

**22V, 3A Synchronous Step-Down COT Power Module**

USING THE EVALUATION BOARD**POWERING UP**

Connect the VIN+/VIN- with short leads to power supply. Use same pins to monitor VIN+ and VIN- respectively. Connect VOUT+/VOUT- with short leads to an electronic load. Monitor the output voltage VOUT across C8. Apply 12V using the power supply. The XR79103 EVB should power up and regulate the output at 1.2V. Input voltage range is from 4.5V to 22V. Maximum rated current for XR79103 is 3A.

JUMPER J1

If the jumper is set to CCM position, the Module will operate in “forced CCM”. If the Jumper is set to DCM/CCM position the Module will operate in DCM at light load.

OPERATION FROM A 5V RAIL ($V_{IN}=4.5V-5.5V$)

For operation from a 5V rail it is recommended to tie output of the LDO to VIN by populating R5VIN with a 0Ω resistor. This enhances the operation of the drivers at $V_{IN}<5V$. Please remember to remove R5VIN for operation at higher V_{IN} .

PROGRAMMING THE OUTPUT VOLTAGE

V_{OUT} can be programmed by changing RFB1 according to:

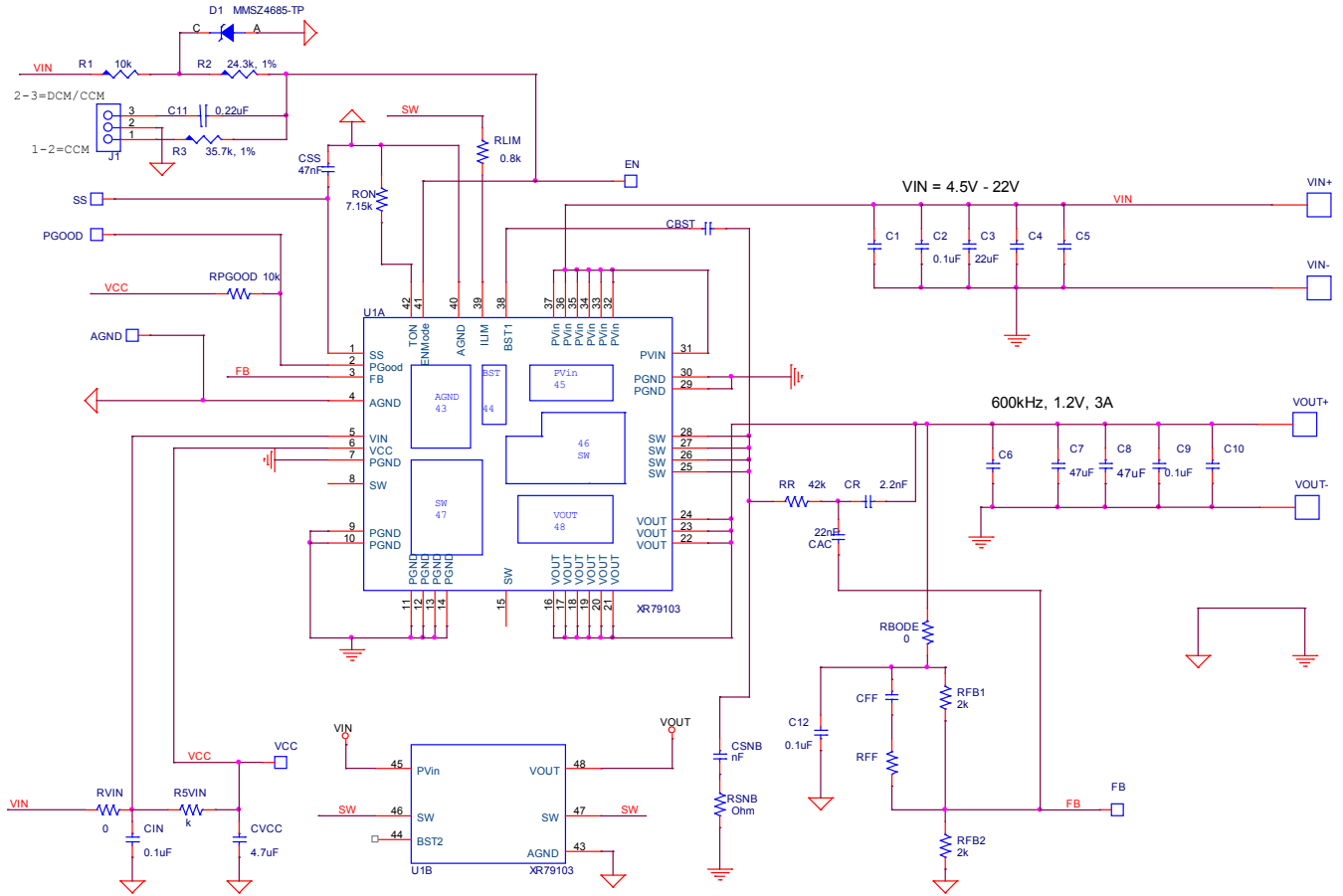
$$RFB1 = RFB2 \times \left(\frac{V_{OUT}}{0.6} - 1 \right)$$

Where RFB2 has a nominal value of 2kΩ.



22V, 3A Synchronous Step-Down COT Power Module

EVALUATION BOARD SCHEMATICS



XR79103 EVB Schematics



22V, 3A Synchronous Step-Down COT Power Module

XR79103EVB BILL OF MATERIAL

Reference Designator	Qty.	Manufacturer	Manufacturer Part Number	Size	Component
PCB	1	Exar	146-6728-01		XR79103 Evaluation Board
U1	1	Exar	XR79103EL-F	6x6x4mm	3A Step-Down COT Power Module
D1	1	ON SEMI	MMSZ4685T1G	SOD123	DIODE ZENER 3.6V 500MW SOD123
C3	1	MURATA	GRM31CR61E226KE15L	1206	CERAMIC CAP. 22uF, 25V, X5R, 10%
C7, C8	2	MURATA	GRM31CR61A476KE15L	1206	CERAMIC CAP. 47uF, 10V, X5R, 10%
C2,C9,C12,CIN	4	MURATA	GRM155R71H104KE14D	0402	CERAMIC CAP. 0.1uF, 50V, X7R, 10%
CVCC	1	MURATA	GRM188R61A475KE15D	0603	CERAMIC CER, 4.7uF, 10V, X5R, 10%
C11	1	MURATA	GRM155R71C224KA12D	0402	CERAMIC CAP , 0.22uF, 16V, X7R, 10%
CSS	1	MURATA	GRM155R71H473KE14D	0402	CERAMIC CAP , 47nF, 50V, X7R, 10%
CR	1	MURATA	GRM155R71H222KA01D	0402	CERAMIC CAP., 2200PF, 50V, X7R, 10%
CAC	1	MURATA	GRM155R71H223KA12D	0402	CERAMIC CAP., 22nF, 50V, X7R, 10%
R1,RPGOOD	2	PANASONIC	ERJ-2RKF1002X	0402	Resistor 10.0K Ohm, 1/10W,1%,SMD
R2	1	PANASONIC	ERJ-2RKF2432X	0402	Resistor 24.3K Ohm, 1/10W,1%,SMD
R3	1	PANASONIC	ERJ-2RKF3572X	0402	Resistor 35.7K Ohm, 1/10W,1%,SMD
RFB1,RFB2	2	PANASONIC	ERJ-2RKF2001X	0402	Resistor 2.0K Ohm, 1/10W,1%,SMD
RVIN,RBODE	2	PANASONIC	ERJ-2GE0R00X	0402	Resistor 0.00 Ohm, Jumper, 1/10W, SMD
RLIM	1	PANASONIC	ERJ-2RKF8060X	0402	Resistor 806 Ohm, 1/10W,1%,SMD
RR	1	PANASONIC	ERJ-2RKF4222X	0402	Resistor 42.2K Ohm, 1/10W,1%,SMD
RON	1	PANASONIC	ERJ-2RKF7151X	0402	Resistor 7.15K Ohm, 1/10W,1%,SMD
VIN+, VIN-, VOUT+, VOUT-, VCC, PGOOD, SS, EN, AGND	9	Würth Elektronik	61300111121	2.54mm	Header 1 pin
J1	1	Würth Elektronik	61300311121	2.54mm	Header 3 pin
J1-jumper	1	Würth Elektronik	60900213421	2.54mm	2pin Jumper



22V, 3A Synchronous Step-Down COT Power Module

EVALUATION BOARD LAYOUT

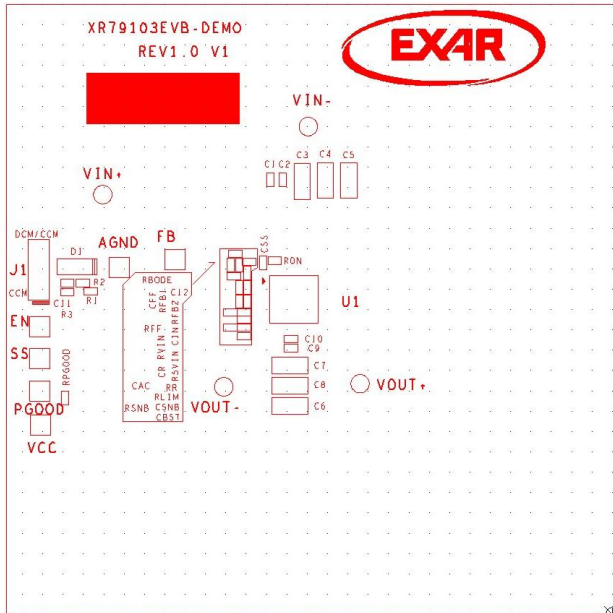


Fig. 3: Assembly Top

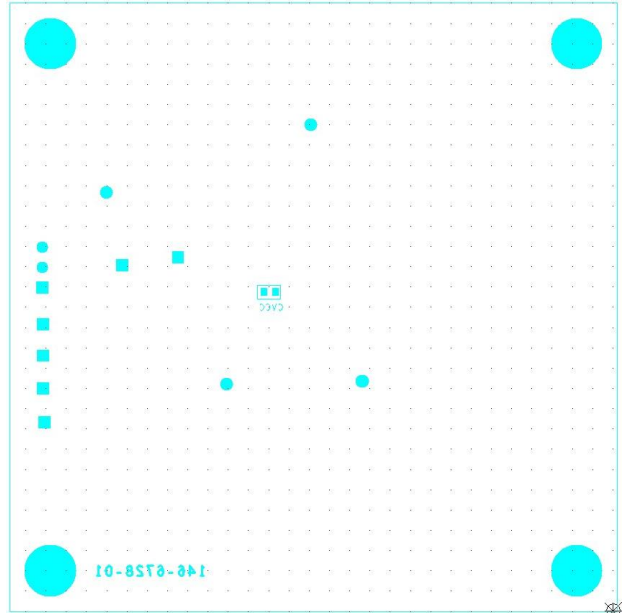


Fig. 4: Assembly Bottom

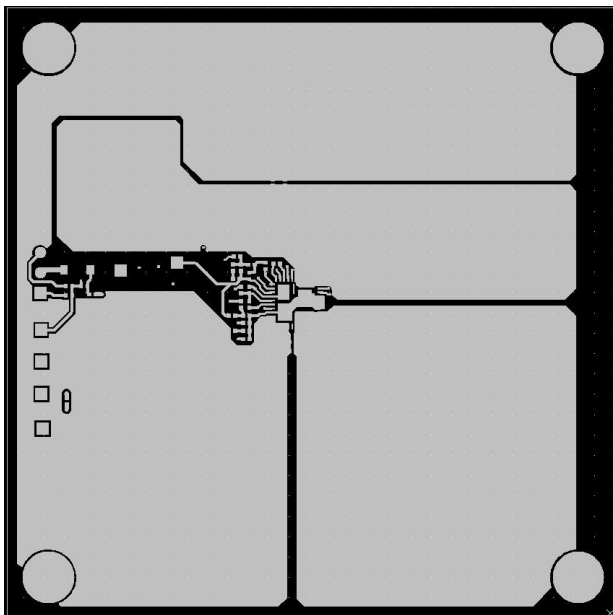


Fig. 5: Top Layer

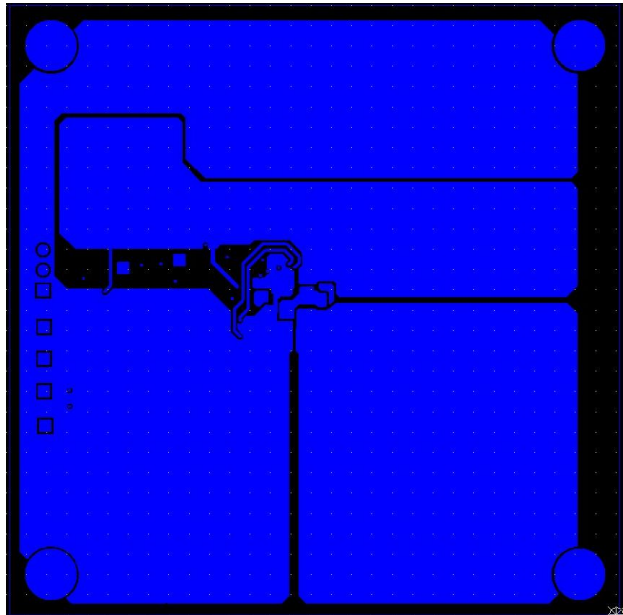


Fig. 6: Bottom Layer



22V, 3A Synchronous Step-Down COT Power Module

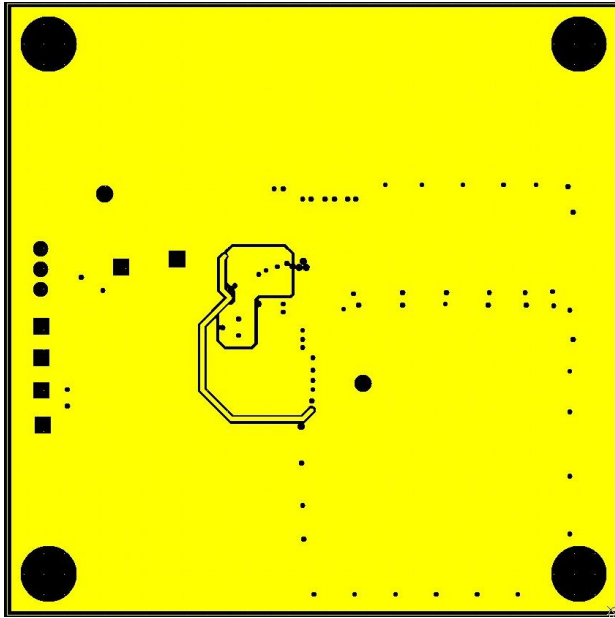


Fig. 7: Layer 2

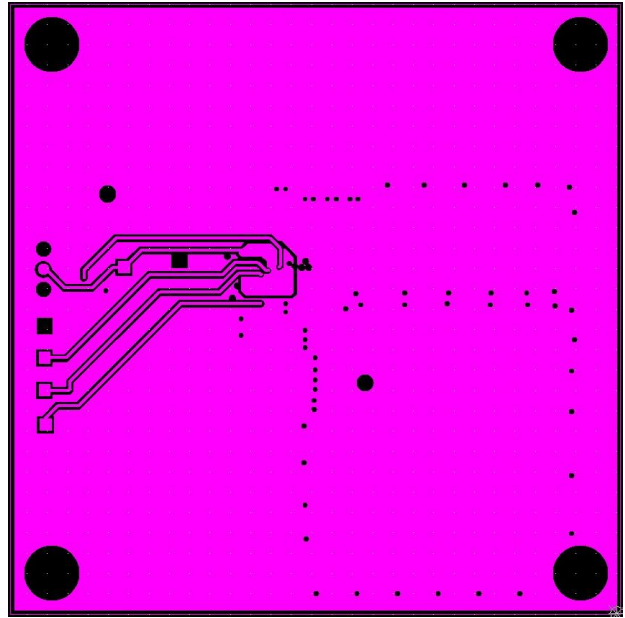


Fig. 8: Layer 3