

## GENERAL DESCRIPTION

The **XRP7714** is a quad-output pulse-width modulated (PWM) step-down DC-DC controller with a built-in LDO for standby power and GPIOs. The device provides a complete power management solution in one IC and is fully programmable via an I<sup>2</sup>C serial interface. Independent Digital Pulse Width Modulator (DPWM) channels regulate output voltages and provide all required protection functions such as current limiting and over-voltage protection.

Each output voltage can be programmed from 0.9V to 5.1V without the need of an external voltage divider. The wide range of the programmable DPWM switching frequency (from 300 KHz to 1.5 MHz) enables the user to optimize between efficiency and component size. Input voltage range is from 4.75V to 25V. An I<sup>2</sup>C bus interface is provided to program the IC as well as to communicate with the host for fault reporting and handling, power rail parameters monitoring, etc.

The device offers a complete solution including independently programmable: soft-start, soft-stop, start-up delay and ramp of each PWM regulator.

## APPLICATIONS

- Multi Channel Power Supplies
- Audio-Video Equipments
- Industrial & Telecom Equipments
- Processors & DSPs Based Equipments

## FEATURES

- **4 Channel Step Down Controller**
  - Programmable Output Voltage 0.9V-5.1V
  - Programmable 1.5MHz DPWM Frequency
  - Integrated FET Drivers
- **4.75V to 5.5V and 5.5V to 25V Input Voltage Range**
- **Up to 6 Reconfigurable GPIO Pins**
- **Fully Programmable via I<sup>2</sup>C Interface**
- **Independent Digital Pulse Width Modulator (DPWM) channels**
- **Complete Monitoring and Reporting**
- **Complete Power Up/Down Sequencing**
- **Full On Board Protection**  
OTP, UVLO, OCP and OVP
- **Built-in 3.3V/5V LDO**
- **PowerArchitect™ Design Software**
- **Green/Halogen Free 40-pin TQFN**

## TYPICAL APPLICATION DIAGRAM

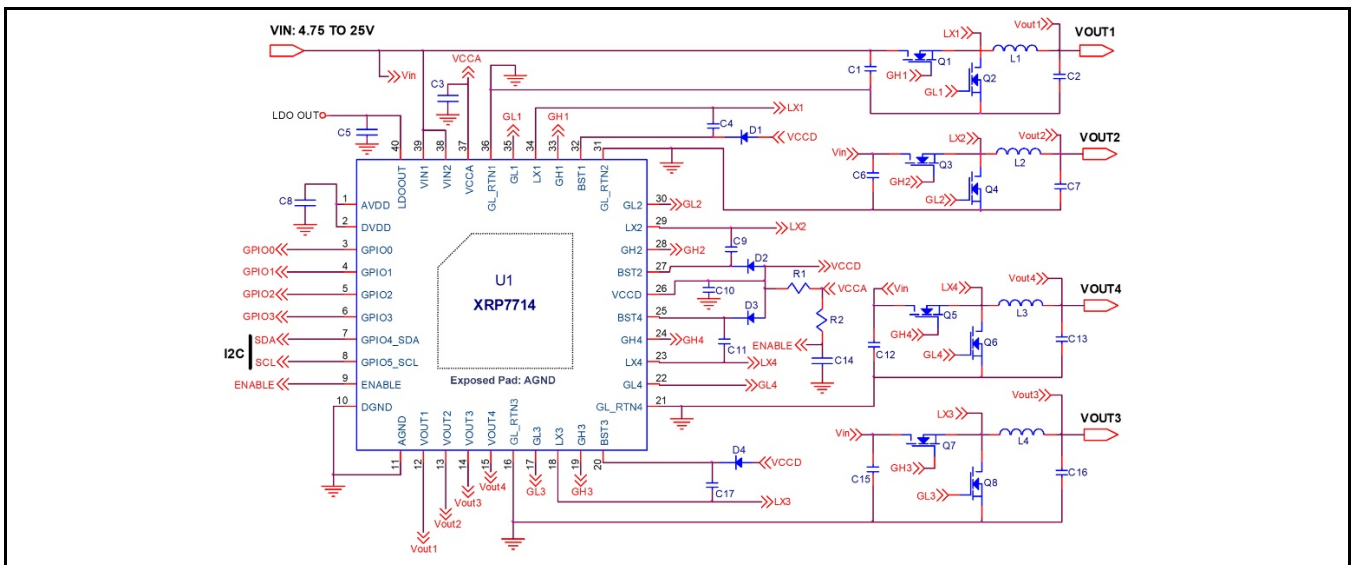


Fig. 1: XRP7714 Application Diagram

## Quad Channel Digital PWM Step Down Controller

### ABSOLUTE MAXIMUM RATINGS

These are stress ratings only and functional operation of the device at these ratings or any other above those indicated in the operation sections of the specifications below is not implied. Exposure to absolute maximum rating conditions for extended periods of time may affect reliability.

|   |                         |
|---|-------------------------|
| VCCA, VCCD, LDOOUT, GLx, VOUTx.....       | 6V                      |
| VDD.....                                  | 2.0V                    |
| VIN1, VIN2.....                           | 27V                     |
| LXx.....                                  | -1V to 27V              |
| LXx.....                                  | -5V to -1V <sup>1</sup> |
| Logic Inputs, GPIOs, SDA, SCL.....        | 6V                      |
| BSTx, GHx.....                            | VLXx + 6V               |
| ESD Rating (HBM - Human Body Model).....  | 2kV                     |
| Storage Temperature.....                  | -65°C to 150°C          |
| Lead Temperature (Soldering, 10 sec)..... | 300°C                   |

Note 1: 200ns Transient

### OPERATING RATINGS

|  |                |
|--|----------------|
| Input Voltage Range.....               | 5.5V to 25V    |
| Input Voltage VIN=VCCA.....            | 4.75V to 5.5V  |
| Junction Temperature Range.....        | -40°C to 125°C |
| Thermal Resistance $\theta_{JA}$ ..... | 24.3°C/W       |

### ELECTRICAL SPECIFICATIONS

Specifications with standard type are for an Operating Junction Temperature of  $T_J = 25^\circ\text{C}$  only; limits applying over the full Operating Junction Temperature range are denoted by a “•”. Minimum and Maximum limits are guaranteed through test, design, or statistical correlation. Typical values represent the most likely parametric norm at  $T_J = 25^\circ\text{C}$ , and are provided for reference purposes only. Unless otherwise indicated,  $V_{IN1} = 4.75\text{V to }25\text{V}$ ,  $V_{IN2} = 4.75\text{V to }25\text{V}$ .

#### Quiescent Current

| Parameter                      | Min. | Typ. | Max. | Units | Conditions   |
|--------------------------------|------|------|------|-------|--|
| VIN Supply Current in STANDBY  |      | 9    |      | mA    | LDOOUT enabled (no load)<br>No switching converter channels enabled<br>I <sup>2</sup> C communication active<br>Switching frequency = 400kHz |
| VIN Supply Current in SHUTDOWN |      | 180  |      | μA    | EN = 0V, VIN1 ≥ 5.2V, VIN2 ≤ 25V   |
| VIN Supply Current             |      | 28   |      | mA    | 4 channels running,<br>GH and GH = 1nF load each<br>VIN = 12V, Switching frequency=300kHz  |
| VIN Supply Current             |      | 50   |      | mA    | 4 channels running,<br>GH and GH = 1nF load each<br>VIN = 12V, Switching frequency = 1MHz  |

#### Step Down Controllers

| Parameter                 | Min. | Typ. | Max. | Units | Conditions  |
|---------------------------|------|------|------|-------|---|
| VOUT Regulation Accuracy  | -20  |      | 20   | mV    | • 0.9V ≤ VOUT ≤ 2.5V                              |
|                           | -40  |      | 40   | mV    | • 2.6V ≤ VOUT ≤ 5.1V                              |
| VOUT regulation range     | 0.9  |      | 5.1  | V     | • Programmable range of each channel <sup>2</sup> |
| VOUT set point resolution |      | 50   |      | mV    | 0.9V ≤ VOUT ≤ 2.5V                                |
| VOUT set point resolution |      | 100  |      | mV    | 2.5V < VOUT ≤ 5.1V                                |
| VOUT Input Current        |      | 100  |      | nA    | 0.9V < VOUT ≤ 2.5V                                |
| VOUT Input Resistance     |      | 120  |      | kΩ    | 2.6V ≤ VOUT ≤ 5.1V                                |

Note 2: Voltages above 5.1V can be obtained by using an external voltage divider.

**Low Drop-out Regulator**

| Parameter                             | Min. | Typ. | Max. | Units |   | Conditions   |
|---------------------------------------|------|------|------|-------|---|--|
| LDOOUT Output Voltage<br>LDO=LOW      | 3.15 | 3.3  | 3.45 | V     | • | $4.75V \leq VIN1 \leq 25V$<br>$0mA < I_{LDOOUT} < 100mA$ |
| LDOOUT Output Voltage<br>LDO=HIGH     | 4.75 | 5.0  | 5.25 | V     | • | $6.3 \leq VIN1 \leq 25V$<br>$0mA < I_{LDOOUT} < 100mA$   |
| LDOOUT Short Circuit Current<br>Limit | 110  |      | 220  | mA    | • | $V_{LDOOUT} = 0V$  |

**Auxiliary ADCs**

| Parameter                    | Min. | Typ. | Max. | Units |   | Conditions |
|------------------------------|------|------|------|-------|---|------------|
| Linearity Error Integral     |      |      | 2    | LSB   |   |            |
| Linearity Error Differential | -1   |      | 1    | LSB   |   |            |
| Input Dynamic Range VIN1     | 4.8  |      | 25   | V     | • |            |
| Input Dynamic Range VIN2     | 4.8  |      | 25   | V     | • |            |

**I sense ADC**

| Parameter           | Min. | Typ. | Max. | Units |  | Conditions            |
|---------------------|------|------|------|-------|--|-----------------------|
| ADC LSB             |      | 5    |      | mV    |  | Referred to the input |
| Input Dynamic Range | 0    |      | -320 | mV    |  |                       |

**PWM Generators and Oscillator**

| Parameter                       | Min. | Typ. | Max. | Units |   | Conditions   |
|---------------------------------|------|------|------|-------|---|--|
| Output frequency range          | 300  |      | 1500 | kHz   |   | Steps defined in the table in the PWM Switching Frequency Setting section below  |
| Output Frequency Accuracy       | -10  |      | 10   | %     | • |  |
| Channel-to-channel phase shift  |      | 90   |      | deg   |   |  |
| Minimum On Time                 |      | 40   |      | ns    |   | 1nF of gate capacitance  |
| Dead Time Adjustment Step       |      | 13   |      | ns    |   | Switching frequency = 300kHz<br>10% to 90% duty cycle, Frequency dependant; refer to the graph in performance characteristic section |
|                                 |      | 1.5  |      | ns    |   | Switching frequency = 1.5MHz<br>10% to 90% duty cycle, Frequency dependant; refer to the graph in performance characteristic section |
| CLOCK IN Synchronization Range  | -5   |      | 5    | %     | • |  |
| Maximum Duty Cycle <sup>2</sup> | 86   |      |      | %     | • | Switching frequency = 300kHz   |
|                                 | 78   |      |      | %     | • | Switching frequency = 1.5MHz   |

Note 2: The maximum duty cycle represents the maximum duty cycle commanded by the DPWM, is guaranteed by design, and internally set to ensure proper sampling of the current during the off-time.

**Digital Input/Output Pins (GPIO0-GPIO5) and ENABLE**

3.3V CMOS logic compatible, 5V tolerant.

| Parameter                       | Min. | Typ. | Max. | Units |   | Conditions                   |
|---------------------------------|------|------|------|-------|---|------------------------------|
| Enable Pin Threshold            | 1.08 | 1.14 | 1.2  | V     |   | Chip Enable rising threshold |
| Input Pin Low Level             |      |      | 0.8  | V     | • |                              |
| Input Pin High Level            | 2.0  |      |      | V     | • |                              |
| Input Pin Leakage Current       |      |      | 10   | μA    | • | $V_{IO} = 3.3V$              |
| Input pin Capacitance           |      | 5    |      | pF    |   |                              |
| Output Pin Low Level            |      |      | 0.4  | V     | • | $I_{SINK} = 1mA$             |
| Output Pin High Level           | 2.4  |      |      | V     | • | $I_{SOURCE} = 1mA$           |
| Output Pin High Level (no load) |      | 3.3  | 3.6  | V     | • | $I_{SOURCE} = 0mA$           |

**I<sup>2</sup>C Specification**

| Parameter   | Min.            | Typ. | Max. | Units |  | Conditions                                |
|---|-----------------|------|------|-------|--|---|
| I <sup>2</sup> C Speed                                  |                 |      | 400  | kHz   |  | Based upon I <sup>2</sup> C master clock  |
| Input Pin Low Level, $V_{IL}$                           |                 |      | 1.0  | V     |  |   |
| Input Pin High Level, $V_{IH}$                          | 2.31            |      |      | V     |  |   |
| Hysteresis of Schmitt Trigger Inputs, $V_{HYS}$         | 0.165           |      |      | V     |  |   |
| Output Pin Low Level (open drain or collector) $V_{OL}$ |                 |      | 0.4  | V     |  | $I_{SINK} = 3mA$                          |
| Input Leakage Current                                   | -10             |      | 10   | μA    |  | Input is between 0.33V and 2.31V          |
| Output Fall Time from $V_{IHMIN}$ to $V_{ILMAX}$        | $20 + 0.1C_b^3$ |      | 250  | ns    |  | With a bus capacitance from 10pF to 400pF |
| Capacitance for each I/O Pin                            |                 |      | 10   | pF    |  |   |

Note 3:  $C_b$  is the capacitance of one bus in pF

**Gate Drivers**

| Parameter                                    | Min. | Typ. | Max. | Units |  | Conditions   |
|--|------|------|------|-------|--|--|
| GH, GL Rise and Fall Time                    |      | 30   |      | ns    |  | At 10% to 90% of full scale pulse.<br>$1nF C_{load}$ |
| GH, GL Pull-up On-State Output Resistance    |      | 6    |      | Ω     |  |  |
| GH, GL Pull-down On-State Output Resistance  |      | 3    |      | Ω     |  |  |
| GH, GL Pull-down Off-State Output Resistance |      | 50   |      | kΩ    |  | $V_{IN} = V_{CCD} = 0V$                              |

**BLOCK DIAGRAM**

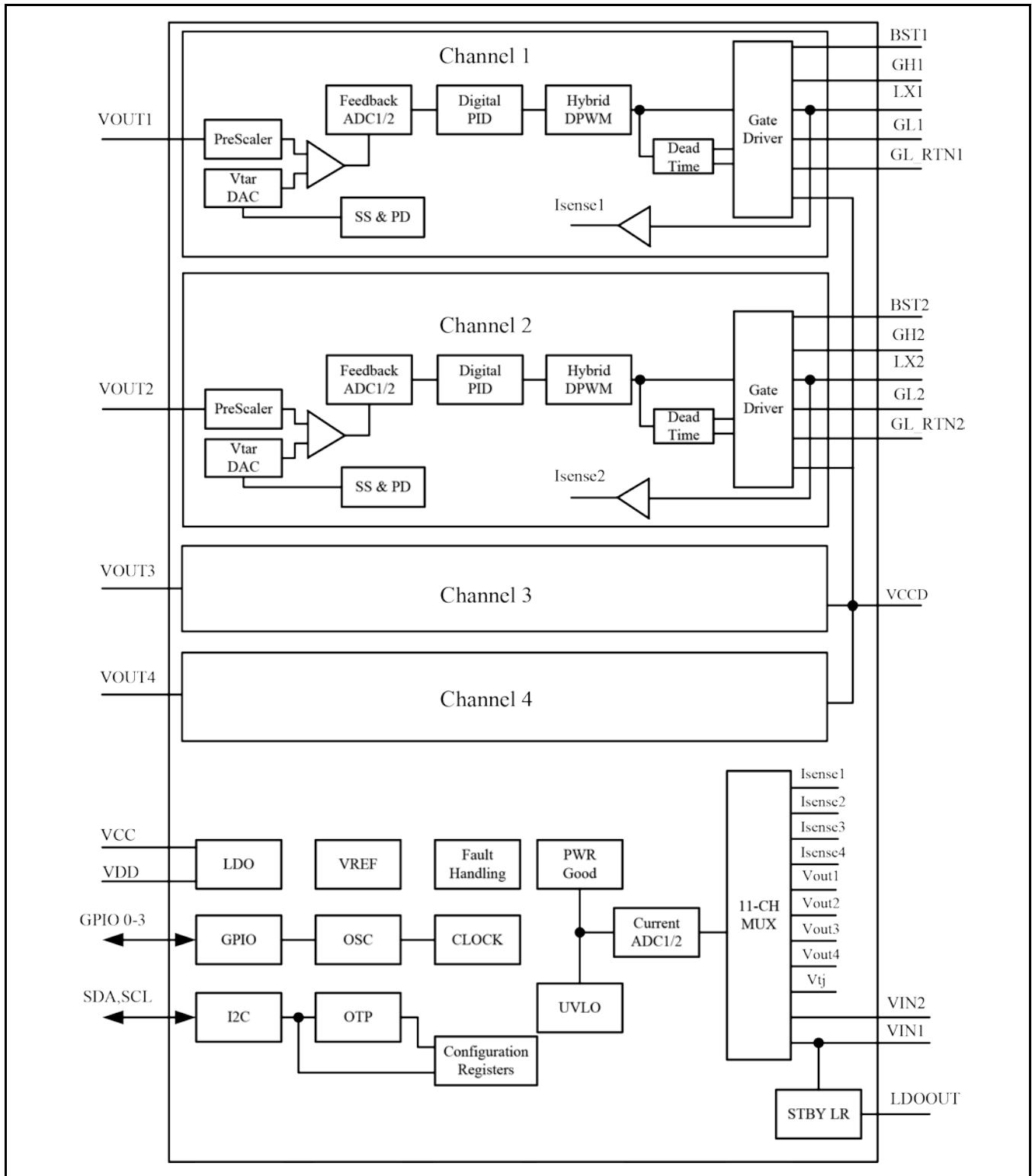


Fig. 2: XRP7714 Block Diagram

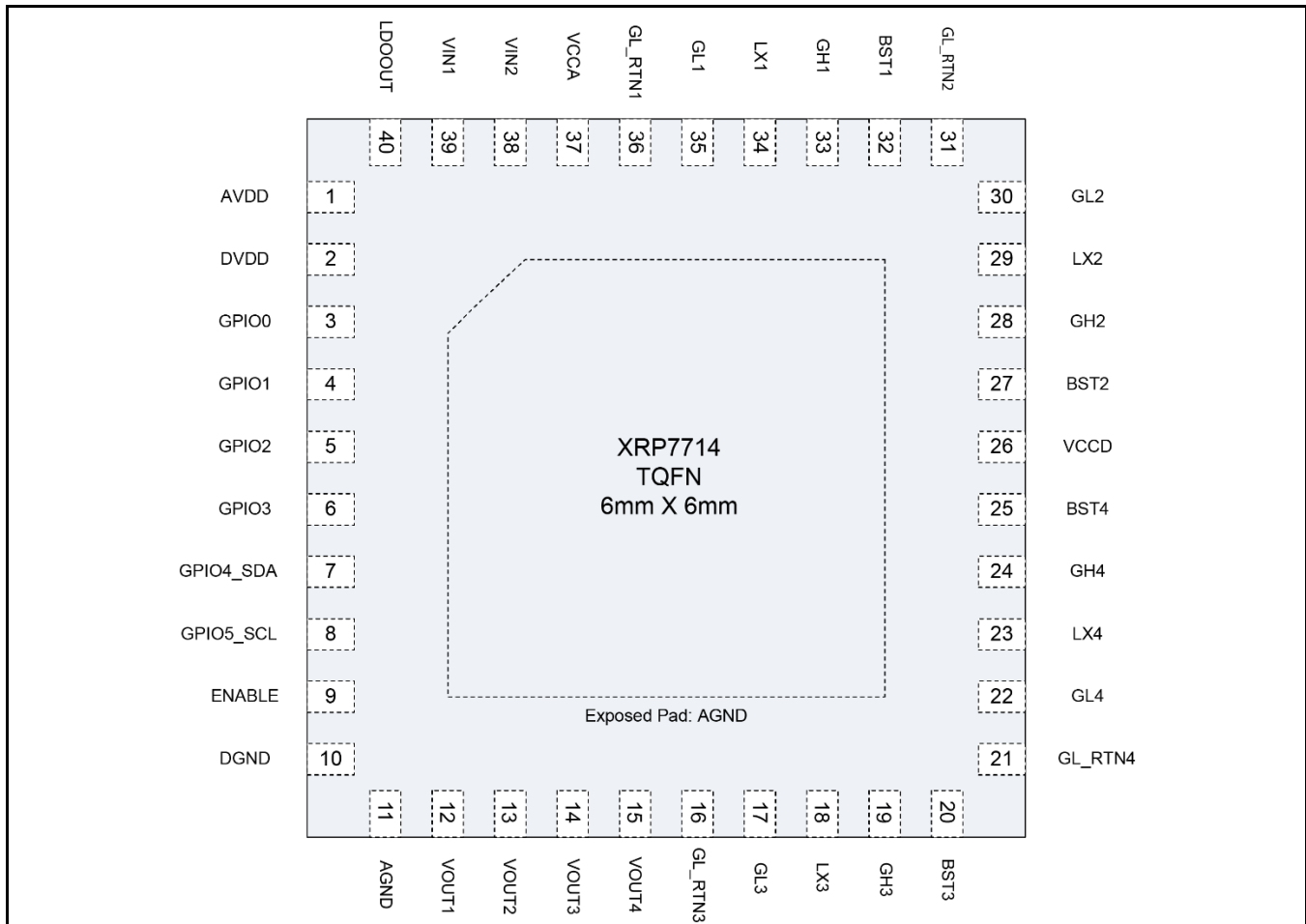
**PIN ASSIGNMENT**


Fig. 3: XRP7714 Pin Assignment

**PIN DESCRIPTION**

| Name       | Pin Number  | Description  |
|------------|-------------|--|
| VIN1       | 39          | Power source for the internal linear regulators to generate VCCA, VDD and the Standby LDO (LDOOUT). Place a decoupling capacitor close to the controller IC. Also used in UVLO1 fault generation – if VIN1 falls below the user programmed limit, all channels are shut down. The VIN1 pin needs to be tied to VIN2 on the board with a short trace. |
| VIN2       | 38          | If the VIN2 pin voltage falls below the user programmed UVLO VIN2 level all channels are shut down. The VIN2 pin needs to be tied to VIN1 on the board with a short trace.   |
| VCCA       | 37          | Output of the internal 5V LDO. This voltage is internally used to power analog blocks. This pin should be bypassed with a minimum of 4.7uF to AGND.  |
| VCCD       | 26          | Gate Drive input voltage. This is not an output voltage. This pin can be connected to VCCA to provide power for the Gate Drive. VCCD should be connected to VCCA with the shortest possible trace and decouple with a minimum 1uF capacitor. Alternatively, VCCD could be connected to an external supply (not greater than 5V).                     |
| GL_RTIN1→4 | 36,31,16,21 | Power Ground. Ground connection for the low side gate driver. Connect at low side FET source.  |
| AVDD       | 1           | Output of the internal 1.8V LDO. This pin should be bypassed with a minimum of 2.2uF to DGND.  |
| DVDD       | 2           | Input for powering the internal digital logic. This pin should be connected to AVDD.   |
| DGND       | 10          | Digital Ground. Connect this pin to the ground plane at the exposed pad with a separate trace.   |
| AGND       | 11          | Analog Ground. Connect this pin to the ground plane at the exposed pad with a separate trace   |

**Quad Channel Digital PWM Step Down Controller**

| Name                 | Pin Number  | Description  |
|----------------------|-------------|--|
| GL1-GL4              | 35,30,17,22 | Output pin of the low side gate driver. Connect directly to the respective gate of an external N-channel MOSFET.   |
| GH1-GH4              | 33,28,19,24 | Output pin of the high side gate driver. Connect directly to the respective gate of an external N-channel MOSFET.  |
| LX1-LX4              | 34,29,18,23 | Lower supply rail for the high-side gate driver (GHx). Connect this pin to the switching node at the junction between the two external power MOSFETs and the inductor. These pins are also used to measure voltage drop across bottom MOSFETs in order to provide output current information to the control engine.          |
| BST1-BST4            | 32,27,20,25 | High side driver supply pin(s). Connect BST to an external boost diode and a capacitor as shown in the front page diagram. The high side driver is connected between the BST pin and LX pin.   |
| GPIO0-GPIO3          | 3,4,5,6     | These pins can be configured as inputs or outputs to implement custom flags, power good signals and enable/disable controls. A GPIO pin can also be programmed as an input clock synchronizing IC to external clock. Refer to the "GPIO Pins" Section and the "External Clock Synchronization" Section for more information. |
| GPIO4_SDA, GPIO5_SCL | 7,8         | I <sup>2</sup> C serial interface communication pins. These pins can be re-programmed to perform GPIO functions in applications when I <sup>2</sup> C bus is not used.   |
| VOUT1→4              | 12,13,14,15 | Voltage sense. Connect to the output of the corresponding power stage.   |
| LDOOUT               | 40          | Output of the Standby LDO. It can be configured as a 5V or 3.3V output. This pin should be bypassed with a minimum of 2.2uF.   |
| ENABLE               | 9           | If ENABLE is pulled high, the chip powers up (logic reset, registers configuration loaded, etc.). If pulled low for longer than 100us, the XRP7714 is placed into shutdown.  |
| AGND                 | Exposed Pad | Analog Ground. Connect to analog ground (as noted above for pin 11).   |

**ORDERING INFORMATION<sup>(1)</sup>**

| Part Number           | Junction Temp Range   | Lead-Free          | Package     | Packing Method | Default I <sup>2</sup> C Address |
|-----------------------|---|--------------------|-------------|----------------|----------------------------------|
| XRP7714ILB-F          | -40°C ≤ T <sub>J</sub> ≤ +125°C                                     | Yes <sup>(2)</sup> | 40-pin TQFN | Bulk           |                                  |
| XRP7714ILBTR-F        |   |                    |             | Tape & Reel    |                                  |
| XRP7714ILB-0X10-F     |   |                    |             | Bulk           | 0X10                             |
| XRP7714ILB-0X14-F     |   |                    |             | Bulk           | 0X14                             |
| XRP7714EVB-DEMO-3     | XRP7714 Evaluation Board  |                    |             |                |                                  |
| XRP7714EVB-DEMO-3-KIT | XRP7714EVB-DEMO-3 and XR77XXEVB-XCM-V80                             |                    |             |                |                                  |
| XRP7714EVB-ZYNQ-1     | Xilinx Zynq-7000 All Programmable SoC Power System Evaluation Board |                    |             |                |                                  |
| XRP7714EVB-ZYNQ-1-KIT | XRP7714EVB-ZYNQ-1 and XR77XXEVB-XCM-V80                             |                    |             |                |                                  |

**NOTES:**

1. Refer to [www.exar.com/XRP7714](http://www.exar.com/XRP7714) for most up-to-date Ordering Information.
2. Visit [www.exar.com](http://www.exar.com) for additional information on Environmental Rating.

**TYPICAL PERFORMANCE CHARACTERISTICS**

All data taken at  $T_J = T_A = 25^\circ\text{C}$ , unless otherwise specified - Schematic and BOM from Application Information section of this datasheet.

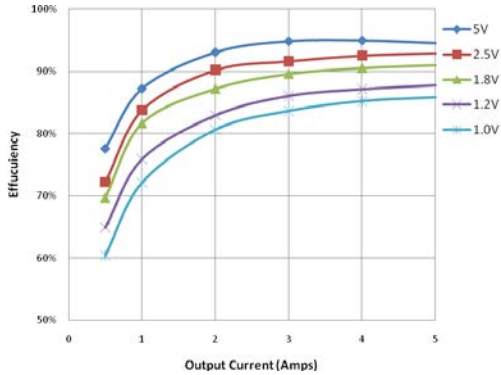


Fig. 4: 12Vin Efficiency: Single Channel 300kHz - Channels not in use are disabled  
FET: Si4944; Inductor: 744314xxx 7x7x5mm

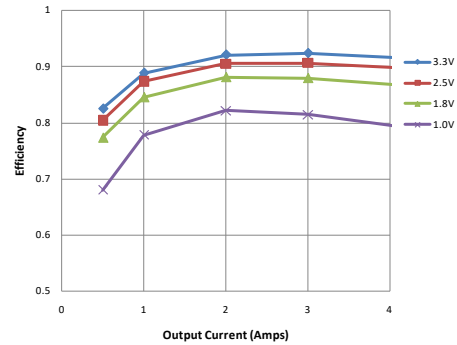


Fig. 5: 12Vin Efficiency: Single Channel 300kHz - Channels not in use are disabled  
FET: FDS8984; Inductor: 744310200 7x7x3mm

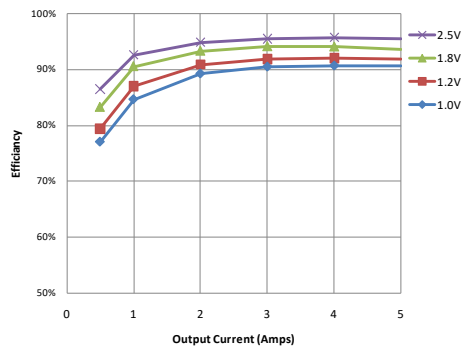


Fig. 6: 5Vin Efficiency: Single Channel 300kHz - Channels not in use are disabled  
FET: Si4944; Inductor: 744314xxx 7x7x5mm

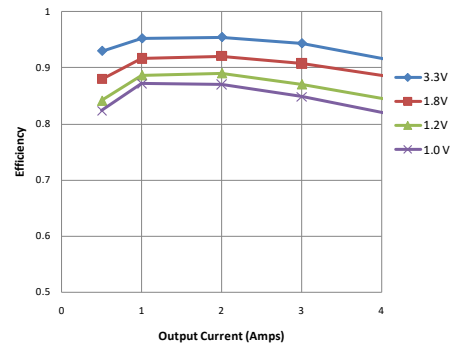


Fig. 7: 5Vin Efficiency: Single Channel 300kHz - Channels not in use are disabled  
FET: FDS8984; Inductor: 744310200 7x7x3mm

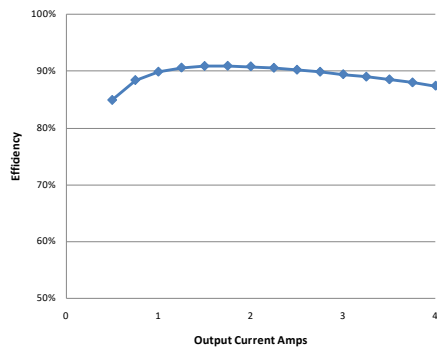


Fig. 8: 12Vin Combined Efficiency 5V & 3V3 1V8 & 1V@ 5A - 300 kHz  
FET: FDS8984; Inductor: 744310200 7x7x3mm

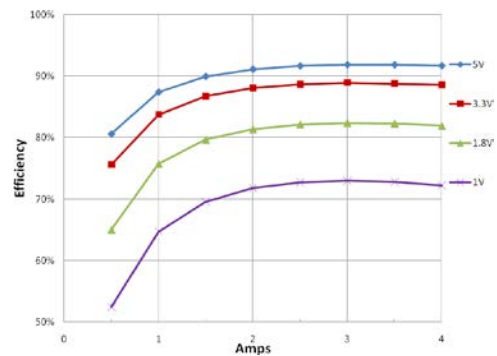


Fig. 9: 12Vin Efficiency: Single Channel 1MHz - Channels not in use are disabled  
FET: FDS8984; Inductor: 744310200 7x7x3mm



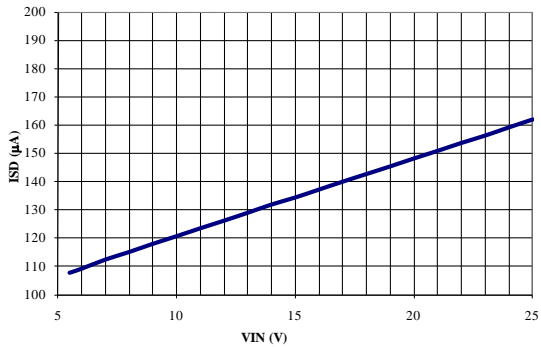


Fig. 10: Shutdown Current  
5.1V to 25V

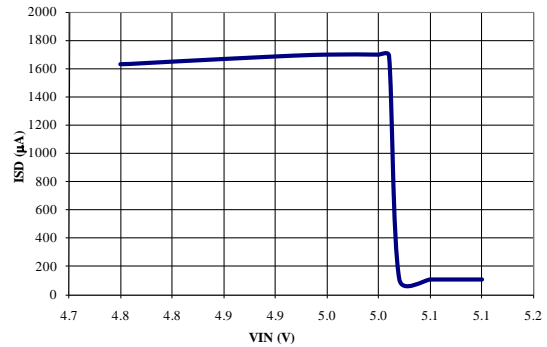


Fig. 11: Shutdown Current  
4.8V to 5.1V

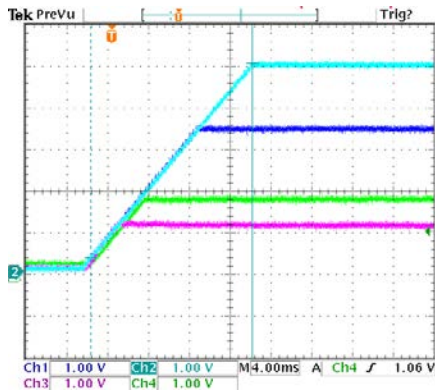


Fig. 12: Simultaneous Start-up  
CH1: 3.3V, CH2: 5V, CH3: 1V, CH4: 1.8V

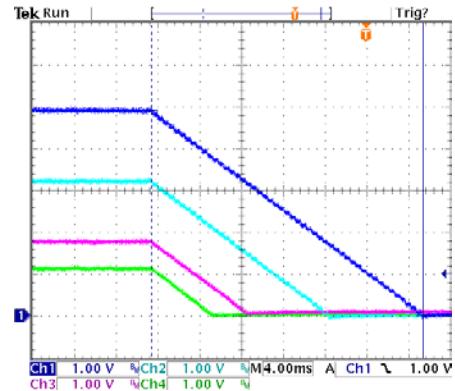


Fig. 13: Simultaneous Soft-stop  
CH1: 3.3V, CH2: 5V, CH3: 1V, CH4: 1.8V

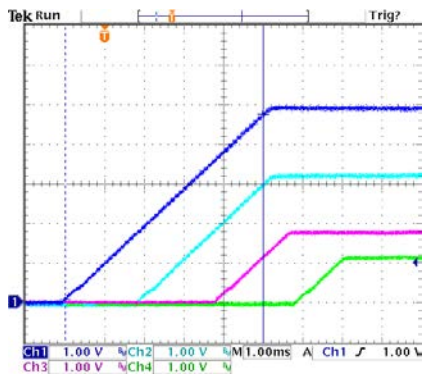


Fig. 14: Sequential Start-up  
CH1: 3.3V, CH2: 5V, CH3: 1V, CH4: 1.8V

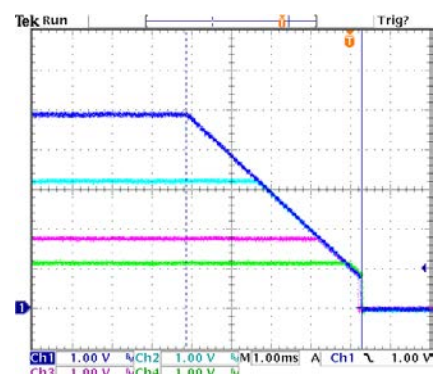


Fig. 15: Sequential Soft-stop  
V<sub>OUT</sub> Shutdown=0.8V, 3A load  
CH1: 3.3V, CH2: 5V, CH3: 1V, CH4: 1.8V

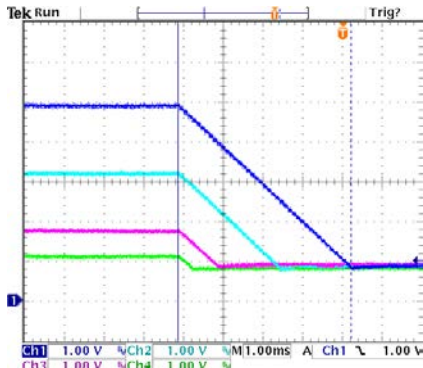


Fig. 16: Simultaneous Soft-stop  
 $V_{OUT}$  Shutdown=0.8V, 3A load  
 CH1: 3.3V, CH2:5V, CH3:1V, CH4: 1.8V

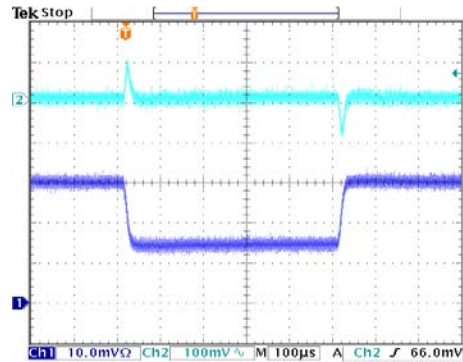


Fig. 17: Load Transient Response  
 CH1: Iout (1A/div) CH2: Vout(3.3V)

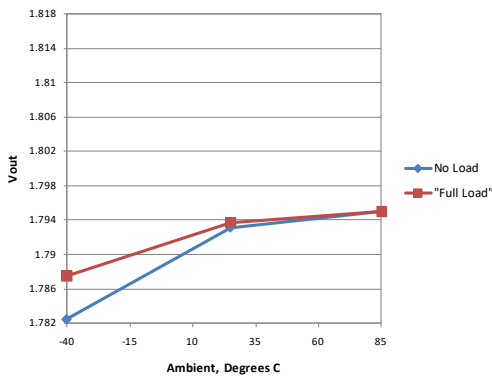


Fig. 18: Temperature Regulation  
 1.8V out ( $\pm 1\%$  Vout window)

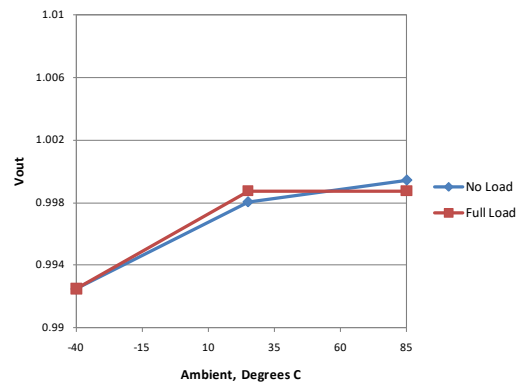


Fig. 19: Temperature Regulation  
 1.0V out ( $\pm 1\%$  Vo window)

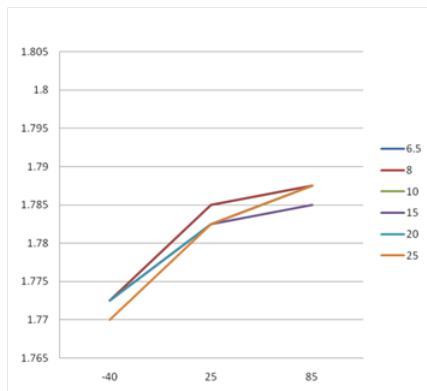


Fig. 20: Temperature and Voltage Regulation  
 1.8V out ( $\pm 1\%$  Vout window)

**FEATURES AND BENEFITS****General DPWM Benefits:**

- Eliminate temperature and time variations associated with passive components in:
  - Output set point
  - Feedback compensation
  - Frequency set point
  - Under voltage lock out
  - Input voltage measurement
  - Gate drive dead time
- Tighter parameter tolerances including operating frequency set point
- Easy configuration and re-configuration for different Vout, Iout, Cout, and Inductor selection by simply changing internal PID coefficients. No need to change external passives for a new output specification.
- Higher integration: Many external circuits can be handled by monitoring or modifying internal registers
- Selectable DPWM frequency and Controller Clock Frequency

**Other Benefits:**

- A single voltage is needed for regulation [no External LDO required].
- I<sup>2</sup>C interface allows:
  - Communication with a System Controller or other Power Management devices for optimized system function
  - Access to modify or read internal registers that control or monitor:
    - Output Current
    - Input and Output Voltage
    - Soft-Start/Soft-Stop Time
    - 'Power Good'
    - Part Temperature
    - Enable/Disable Outputs
    - Over Current
    - Over Voltage
    - Temperature Faults
    - Adjusting fault limits and disabling/enabling faults
    - Packet Error Checking (PEC) on I<sup>2</sup>C communication
- 6 Configurable GPIO pins, (4 if I<sup>2</sup>C is in use). Pins can be configured in several ways:
  - Fault reporting (including OCP, OVP, Temperature, Soft-Start in progress, Power Good)
  - Allows a Logic Level interface with other non-digital IC's or as logic inputs to other devices

- Possible to configure as traditional 'enable' pin for all 4 outputs
- 2 GPIOs can be dedicated to the I<sup>2</sup>C Interface as required by the customers design
- Frequency and Synchronization Capability
  - Selectable switching frequency between 300kHz and 1.5MHz
  - Channel to channel phase relationship is a fixed 90 degrees
  - Main oscillator clock and DPWM clock can be synchronized to external sources
  - 'Master', 'Slave' and 'Stand-alone' Configurations are possible
- Internal MOSFET Drivers
  - Internal FET drivers (3Ω/6Ω) for each Channel
  - Built-In Automatic Dead-time adjustment
  - 30ns Rise and Fall times
- PowerArchitect™ Design and Configuration Software:
  - In its simplest form only VIN, VOUT, and Iout for each channel is required.
  - The software calculates configuration register content based upon customer requirements. PID coefficients for correct loop response (for automatic or customized designs) can be generated and sent to the device.
  - Configurations can be saved and/or recalled
  - GPIOs can be configured easily and intuitively
  - Synchronization configuration can be adjusted
  - Interface can be used for real-time debugging and optimization
- Customizing XRP7714 with customer parameters
  - Once a configuration is finalized it can be sent to MaxLinear and can reside in pre-programmed parts that customers can order with an individual part number.
  - Allows parts to be used without I<sup>2</sup>C interface

**System Benefits:**

- Reliability is enhanced via communication with the system controller which can obtain real time data on an output voltage, input voltage and current.
- System processors can communicate with the XRP7714 directly to obtain data or make adjustments to react to circuit conditions.
- A system process or could also be configured to log and analyze operating history, perform diagnostics and if required, take the supply off-line after making other system adjustments.
- If customer field service is a possibility for your end product, parameter reporting and history would provide additional capabilities for troubleshooting or aid in future system upgrades.

## FUNCTIONAL DESCRIPTION AND OPERATION

The XRP7714 is a quad-output digital pulse width modulation (DPWM) controller with integrated gate drivers for the use in synchronous buck switching regulators. Each output voltage can be programmed from 0.9V to 5.1V without the need of an external voltage divider. The wide range of the programmable DPWM switching frequency (from 300kHz to 1.5MHz) enables the user to optimize for efficiency or component sizes. The digital regulation loop requires no external passive components for network compensation. The loop performance does not need to be compromised due to component tolerance, aging, and operating condition. Each digital controller provides a number of safety features, such as over-current protection (OCP) and over-voltage protection (OVP). The chip also provides over-temperature protection (OTP) and under-voltage lock-out (UVLO) for two input voltage rails. The XRP7714 also has up to 6 GPIOs and a Standby Linear Regulator to provide standby power. An I<sup>2</sup>C bus interface is provided to program the IC as well as to communicate with the host for fault reporting and handling, power rail monitoring, channel enable and disable, Standby LDO voltage reconfiguration, and Standby LDO enable and disable.

The XRP7714 offers a complete solution for soft-start and soft-stop. The delay and ramp of each PWM regulator can be independently controlled. During soft-stop, the output voltage ramps down with a programmable slope until it reaches a pre-set value. This pre-set value can be programmed between within zero volts and the target voltage with the same set target voltage resolution.

## REGISTER TYPES

There are two types of registers in the XRP7714: read/write registers and read-only registers. The read/write registers are used for the control functions of the IC and can be programmed using configuration non-volatile memory (NVM) or through an I<sup>2</sup>C command. The read-only registers are for feedback functions such as error/warning flags and for reading the output voltage or current.

## NON-VOLATILE CONFIGURATION MEMORY

The non-volatile memory (NVM) in XRP7714 stores the configuration data for the chip and all of the power rails. This memory is normally configured during manufacturing time. Once a specific bit of the NVM is programmed, that bit can never be reprogrammed again [i.e. one-time programmable]. During chip power up, the contents in the NVM are automatically transferred to the internal registers of the chip. Programmed cells have been verified to be permanent for at least 10 years and are highly reliable.

## POWER UP AND SEQUENCING REQUIREMENTS

The XRP7714 can be programmed to sequence its outputs for nearly any imaginable loading requirement. However, there are some important sequencing requirements for the XRP7714 itself.

When power is applied to the XRP7714, the 5V VCCA and 1.8V AVDD regulators must come up and stabilize to provide power for the analog and digital blocks of the IC. The Enable Pin must remain below its logic level high threshold until the AVDD is regulating to ensure proper loading of the configuration registers. For systems that control the Enable signal through a microcontroller or other processor, this is simply a matter of providing the proper delay to the Enable signal after power up. However, most users will want the part to automatically power up when power is applied to the system. To that end there are a number of recommended solutions.

The most ideal sequencing method is to provide an RC time constant delay from DVDD to the Enable pin. A 10kohm resistor and a 4.7uF are all that is required. If the system needs to externally control the Enable pin as well, it is recommended that the Enable pin be pulled to ground using an open drain I/O. Using 3.3V active logic would back feed DVDD and exceed the maximum rated voltage of the pin.

Quad Channel Digital PWM Step Down Controller

For those using active 3.3V or 5V logic on the Enable pin an RC delay from VCCA to the Enable pin may be used. When using an RC delay from VCCA, attention must be paid to the amount of bypass capacitance loading AVDD since it will delay the time it takes for AVDD to power up and regulate. The AVDD and DVDD pins do not require more than 2.2uF for proper bypassing. See Figure 21 for the recommended components for sequencing the Enable pin through an RC delay from VCCA. If more capacitance is added to AVDD and DVDD, the time constant must be increased. Once Enable is asserted, an internal CHIP\_READY flag goes high and enables the I<sup>2</sup>C to acknowledge the Host's serial commands. Channels that are configured as always-on channels are enabled. Channels that are configured to be enabled by GPIOs are also enabled if the respective GPIO is asserted.

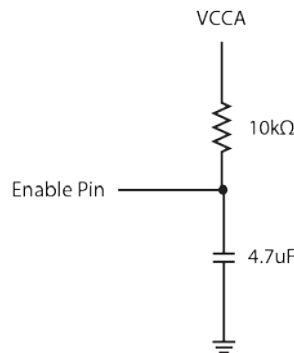


Fig. 21: RC Delay for Enable taken from VCCA

VCCA regulates at approximately 4.6V when the Enable pin is logic level low and at 5.1V when Enable is asserted. See Figure 22 for an example.

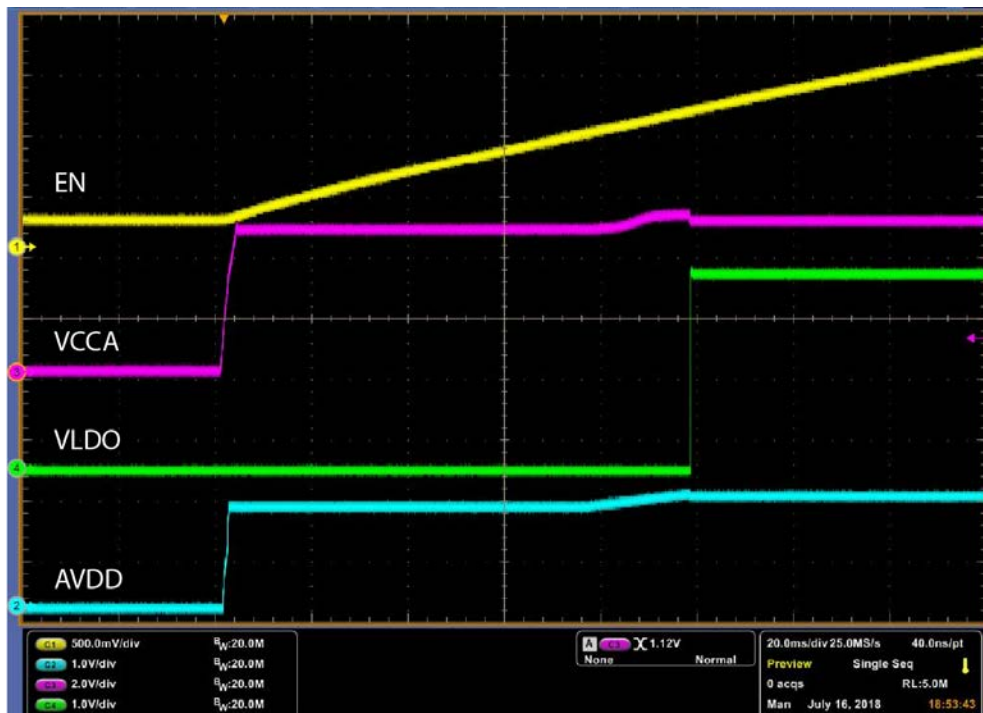


Fig. 22: Startup Waveform

Another power-up timing concern can be observed with slowly increasing input voltages. If the UVLO Fault threshold is set to a value higher than the value of VIN when AVDD has stabilized and the enable is asserted; the UVLO Fault could assert prior to VIN reaching its final value. Increasing the value of the resistor in the RC delay will slow down the enable signal and prevent a premature UVLO Fault.

### **STANDBY LOW DROP-OUT REGULATOR**

This 100mA low drop-out regulator can be programmed as 3.3V or 5V in SET\_STBLDO\_EN\_CONFIG register. Its output is seen on the LDOOUT Pin. This LDO is fully controllable via the Enable Pin (configured to turn on as soon as power is applied), a GPIO, and/or I<sup>2</sup>C communication.

The 5V output setting of the regulator is only available if VIN1 is above 6.3V, and the 3.3V output setting is available for the entire VIN1 range from 4.75 to 25V. The standby LDO should be bypassed with a minimum of 2.2uF ceramic capacitor.

### **ENABLING, DISABLING AND RESET**

The XRP7714 is enabled via raising the ENABLE Pin high. The chip can then be disabled by lowering the same ENABLE Pin. There is also the capability for resetting the Chip via an I<sup>2</sup>C SOFTRESET Command.

For enabling a specific channel, there are several ways that this can be achieved. The chip can be configured to enable a channel at start-up as the default configuration residing in the non-volatile configuration memory of the IC. The channels can also be enabled using GPIO pins and/or an I<sup>2</sup>C Bus serial command. The registers that control the channel enable functions are the SET\_EN\_CONFIG and SET\_CH\_EN\_I2C.

### **INTERNAL GATE DRIVERS**

The XRP7714 integrates Internal Gate Drivers for all 4 PWM channels. These drivers are optimized to drive both high-side and low side N-MOSFETs for synchronous operations. Both high side and low side drivers have the capability of driving 1nF load with 30ns rise and fall time. The drivers have built-in non-overlapping circuitry to prevent simultaneous conduction of the two MOSFETs. The built-in non-overlapping feature is disabled when the programmable dead time is selected.

### **PROGRAMMABLE DEAD TIME**

The programmable dead time feature provides customers the flexibility to optimize the system performance over PWM switching frequency, efficiency and component selections.

There are three registers to control the dead time. The programmable dead time feature is enabled in the SET\_CONTROL\_BIT\_REG register. If disabled, the built-in dead time control inside the driver will take over.

The dead time between the turn off of the low side MOSFET and the turn on of high side MOSFET is controlled by the SET\_DT\_RISE\_CHX. On the other hand, the dead time between the turn off of high side MOSFET and the turn on of the low side MOSFET is controlled by SET\_DT\_FALL\_CHX. The actual LSB of the registers is variable depending on the switching frequency.

$$Step\ Size\ (LSB) = \frac{1}{PWMf \times 256}$$

## FAULT HANDLING

While the chip is operating there are four different types of fault handling:

- **Under Voltage Lockout (UVLO)** monitors the input voltage to the chip, and the chip will shutdown all channels if the voltage drops to critical levels.
- **Over Temperature Protection (OTP)** monitors the temperature of the chip, and the chip will shutdown all channels if the temperature rises to critical levels.
- **Over Voltage Protection (OVP)** monitors the voltage of channel and will shutdown the channel if it surpasses its voltage threshold.
- **Over Current Protection (OCP)** monitors the current of a channel, and will shutdown the channel if it surpasses its current threshold. The channel will be automatically restarted after a 200ms delay.

### Under Voltage Lockout (UVLO)

There are two locations where the under voltage can be sensed: VIN1 and VIN2. The SET\_UVLO\_WARN\_VINx register that sets the under voltage warning set point condition at 100mV increments. When the warning threshold is reached, the Host is informed via a GPIO or by reading the READ\_WARN\_FLAG register.

The SET\_UVLO\_TARG\_VINx register that controls the under voltage fault set point condition at 100mV increments. This fault condition will be indicated in the READ\_FAULT\_WARN register.

When an under voltage fault condition occurs (either on VIN1 or VIN2), the fault flag register is set and all of the XRP7714 outputs are shut down. The measured input voltages can be read back using the READ\_VIN1 or READ\_VIN2 register, and both registers have a resolution of 100mV per LSB. When the UVLO condition clears (voltage rises above the UVLO Warning Threshold), the chip can be configured to automatically restart.

### VIN1

This is a multi-function pin that provides power to both the Standby Linear Regulator and internal linear regulators to generate VCCA, VDD, and the Standby LDO (LDOUT).

It is also used as a UVLO detection pin. If Vin1 falls below its user programmed limit, all channels are shut down.

### VIN2

VIN2 is required to be tied to VIN1 pin. It can be used as a UVLO detection pin. If VIN2 falls below its user programmed limit, all channels are shut down.

### Temperature Monitoring and Over Temperature Protection (OTP)

- Reading the junction temperature

This register allows the user to read back the temperature of the IC. The temperature is expressed in Kelvin with a maximum range of 520K, a minimum of 200K, and an LSB of 5 degrees K. The temperature can be accessed by reading the READ\_VTJ register.

- Over Temperature Warning

There are also warning and fault flags that get set in the READ\_OVV\_UVLO\_OVT\_FLAG register. The warning threshold is configurable to 5 or 10 Degrees C below the fault threshold. When the junction temperature reaches 5 or 10 Degrees C below the user defined set point, the over-temperature warning bit [OTPW] gets set in the READ\_OVV\_UVLO\_OVT\_FLAG register to warn the user that the IC might go into an over temperature condition (and shutdown all of the regulators).

- Over Temperature Fault

If the over temperature condition occurs both the *OTP* and *OTPW* bits will be set in the *READ\_OVV\_UVLO\_OVT\_FLAG* register and the IC will shut down all channels (but I<sup>2</sup>C will remain operational). The actual over temperature threshold can be set by the user by using a 7bit *SET\_THERMAL\_SHDN* register with an LSB of 5K.

If the over temperature fault condition clears, then the IC can be set to restart the chip automatically. The restart temperature threshold can be set by the *SET\_THERMAL\_RESTART* register.

### OUTPUT VOLTAGE SETTING AND MONITORING

The Output Voltage setting is controlled by the *SET\_VOUT\_TARGET\_CHx* register. This register allows the user to set the output voltage with a resolution of 50mV for output voltages between 0 and 2.5V and with a resolution of 100mV for output voltages between 2.6V and 5.1V. Output voltages higher than 5.1V can be achieved by adding an external voltage divider network. The output voltage of a particular channel can be read back using the *READ\_VOUTx* register.

#### Output Voltage from 0.9V to 5.1V

Per the equation below, for values between 0.9V and 5.1V the output voltage is equal to the binary number stored in the *SET\_VOUT\_TARGET\_CHx* register multiplied by 50mV. When programming an output voltage from 2.6V to 5.1V, odd binary values should be avoided. As a result, the set resolution for an output voltage higher than 2.5V is 100mV.

$$V_{OUT} = SET\_VOUT\_TARGET\_CHX \times 50mV$$

#### Output VOUT Higher Than 5.1V

To set the output voltage higher than 5.1V, the user needs to add an external voltage divider. The resistors used in the voltage divider should be below 10kΩ. The *SET\_VOUT\_TARGET\_CHx* register should be set to 0x32 which is equivalent to an output voltage of 2.5V without the external divider network. The output voltage regulation in this case might exceed 2% due to extra error from the resistor divider. *R1* and *R2* follows the definition below.

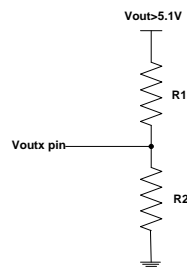


Fig. 23: External divider network for high output voltage

$$V_{OUT} = \left( \frac{R_1}{R_2} + 1 \right) \times SET\_VOUT\_TARGET\_CHX \times 50mV$$

#### Output Voltage Lower Than 0.9V

The XRP7714 can be programmed to regulate an output voltage lower than 0.9V. However, in this case the specification of ±20mV output voltage accuracy is not guaranteed.



**OVER-VOLTAGE PROTECTION (OVP)**

The Over-Voltage Protection (OVP) SET\_OVVP\_REGISTER sets the over-voltage condition in predefined steps per channel. The over-voltage protection is always active even during soft-start condition. When the over-voltage condition is tripped, the controller will shut down the channel. When the channel is shut down the controller will then set corresponding OVP Fault bits in the READ\_OVV\_UVLO\_OVT\_FLAG register.

The VOUT OVP Threshold is 150mV to 300mV above nominal VOUT for a Voltage Target of 2.5V or less. For the Voltage Target of 2.6V to 5.1V, the VOUT OVP Threshold is 300mV to 600mV.

Once the over-voltage Channel is disabled, the controller will check the SET\_FAULT\_RESP\_CONFIG\_LB and SET\_FAULT\_RESP\_CONFIG\_HB to determine whether there are any “following” channels that need to be shut down. Any following channel will be disabled when the channel with the Over Voltage Fault is disabled. The channel(s) will remain disabled, until the Host takes action to enable the channel(s).

Any of the fault and warning conditions can also be configured to be represented using the general purpose input output pins (GPIO) to use as an interface with non I<sup>2</sup>C compatible devices. For further information on this topic see the “GPIO Pins” Section.

During OVP fault shutdown of the channel, the customer has the option to choose two types of shutdown for each channel. The first shutdown is ‘passive shutdown’ where the IC merely stops outputting pulses. The second shutdown is a ‘brute force’ shutdown where the GL remains on as the channel reaches its discharged voltage. Note that if the ‘brute force’ method is chosen, then GL will permanently remain high until the channel is re-enabled.

**OUTPUT CURRENT SETTING AND MONITORING**

XRP7714 utilizes a low side MOSFET Rdson current sensing technique. The voltage drop on Rdson is measured by dedicated current ADC. The ADC results are compared to a maximum current threshold and an over-current warning threshold to generate the fault and warning flags.

**Maximum Output Current**

The maximum output current is set by the SET\_VIOUT\_MAX\_CHx register and SET\_ISENSE\_PARAM\_CHx register. The SET\_VIOUT\_MAX\_CHx register is an 8 bit register. Bits [5:0] set the maximum current threshold and bits [7:6] set the over-current warning threshold. The LSB for the current limit register is 5 mV and the allowed voltage range is between 0 and 315mV. To calculate the maximum current limit, the user needs to provide the MOSFET Rdson. The maximum current can be calculated as:

$$I_{OUTMAX} = \frac{Vsense}{Rdson \times Kt}$$

Where Kt is the temperature coefficient of the MOSFET Rdson; Vsense is the voltage across Rdson; IOUTMAX is the maximum output current.

**Over-Current Warning**

The XRP7714 also offers an Over-Current warning flag. This warning flag resides in the READ\_OVC\_FLAG register. The warning flag bit will be set when the output current gets to within a specified value of the output current limit threshold enabling the host to reduce power consumption. The SET\_VIOUT\_MAX\_CHx register allows the warning flag threshold to be set 10mV, 20mV, 30mV or 40mV below VIOUT\_MAX. The warning flag will be automatically cleared when the current drops below the warning threshold.

**Over-Current Fault Handling**

When an over-current condition occurs, PWM drivers in the corresponding channels are disabled. After a 200ms timeout, the controller is re-powered and soft-start is initiated. When the over-current condition is reached the controller will check the SET\_FAULT\_RESP\_CONFIG\_LB and SET\_FAULT\_RESP\_CONFIG\_HB to determine whether there are any “following” channels that need to be similarly restarted. The controller will also set the fault flags in READ\_OVC\_FAULT\_WARN register.

Typically the over-current fault threshold would be set to 130-140% of the maximum desirable output current. This will help avoid any over-current conditions caused by transients that would shut down the output channel.

**CHIP OPERATION AND CONFIGURATION**

**SOFT-START**

The SET\_SS\_RISE\_CHx register is a 16 bit register which specifies the soft-start delay and the ramp characteristics for a specific channel. This register allows the customer to program the channel with a 250µs step resolution and up to a maximum 16ms delay.

Bits [15:10] specify the delay after enabling a channel but before outputting pulses; where each bit represents 250µs steps. Bits [9:0] specify the rise time of the channel; these 10 bits define the number of microseconds for each 50mV increment to reach the target voltage.

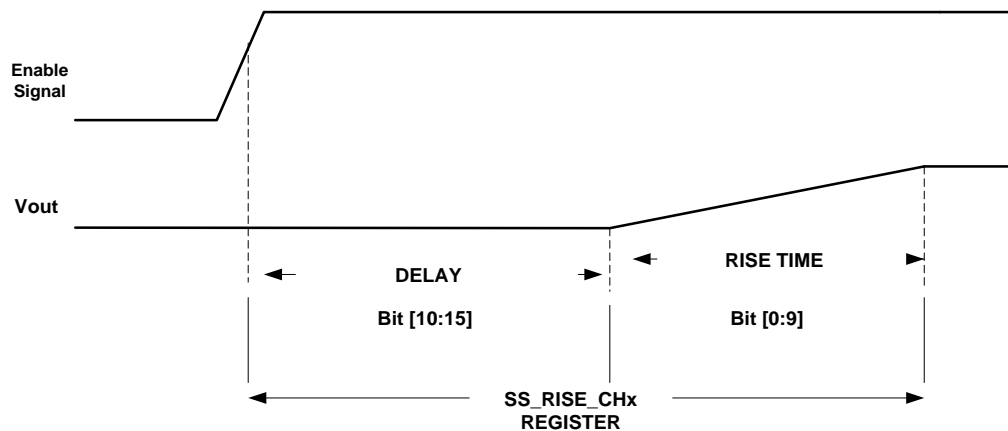


Fig. 24: Channel Power Up Sequence

**SOFT-STOP**

The SET\_PD\_FALL\_CHx register is a 16 bit register. This register specifies the soft-stop delay and ramp (fall-time) characteristics for when the chip receives a channel disable indication from the Host to shutdown the channel.

Bits [15:10] specify the delay after disabling a channel but before starting the shutdown of the channel; where each bit represents 250 $\mu$ s steps. Bits [9:0] specify the fall time of the channel; these 10 bits define the number of microseconds for each 50mV increment to reach the discharge threshold.

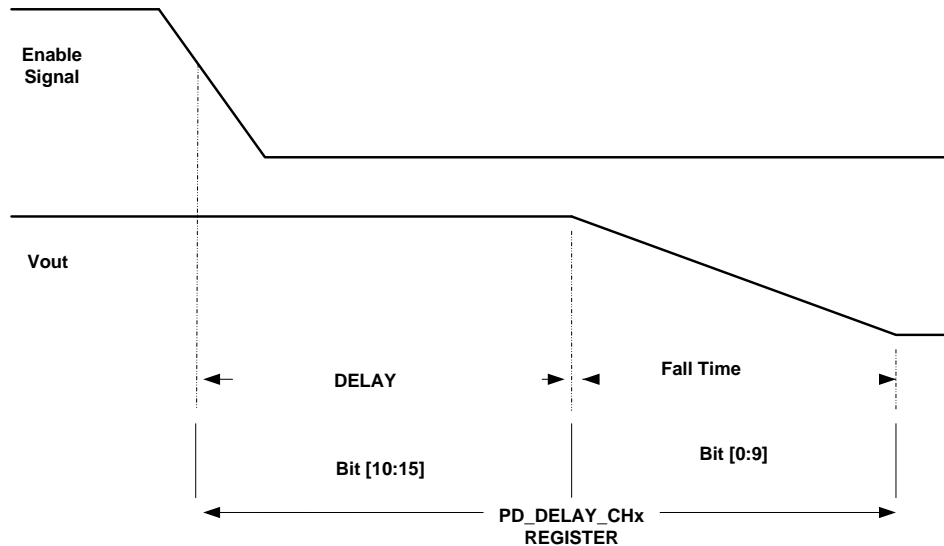


Fig. 25: Channel Soft-Stop Sequence

**POWER GOOD FLAG**

The XRP7714 allows the user to set the upper and lower bound for a power good signal per channel. The SET\_PWRG\_TARG\_MAX\_CHx register sets the upper bound, the SET\_PWRG\_TARG\_MIN\_CHx register sets the lower bound. Each register has a 20mV LSB resolution. When the output voltage is within bounds the power good signal is asserted high. Typically the upper bound should be lower than the over-voltage threshold. In addition, the power good signal can be delayed by a programmable amount set in the SET\_PWRGD\_DLY\_CHx register. The power good delay is only set after the soft-start period is finished. If the channel has a pre-charged condition that falls into the power good region, a power good flag is not set until the soft-start is finished.

**PWM SWITCHING FREQUENCY**

The PWM switching frequency is set by choosing the corresponding oscillator frequency and clock divider ratio in the SET\_SW\_FREQUENCY register. Bits [6:4] set the oscillator frequency and bits [2:0] set the clock divider. The tables below summarize the available Main Oscillator and PWM switching frequency settings in the XRP7714.

**Main Oscillator Frequency**

| SET_SW_FREQUENCY[6:4]     | 000    | 001     | 010     | 011     | 100     | 101     | 110     | 111     |
|---------------------------|--------|---------|---------|---------|---------|---------|---------|---------|
| Main Oscillator Frequency | 48MHz  | 44.8MHz | 41.6MHz | 38.4MHz | 35.2MHz | 32MHz   | 28.8MHz | 25.6MHz |
| Ts                        | 20.8ns | 22.3ns  | 24ns    | 26ns    | 28.4ns  | 31.25ns | 34.7ns  | 39ns    |

**PWM Switching Frequency**

| SET_SW_FREQUENCY[2:0] | SET_SW_FREQUENCY[6:4] |        |        |        |        |        |        |        |
|-----------------------|-----------------------|--------|--------|--------|--------|--------|--------|--------|
|                       | 000                   | 001    | 010    | 011    | 100    | 101    | 110    | 111    |
| 000                   | NA                    | NA     | NA     | NA     | NA     | NA     | NA     | NA     |
| 001                   | 1.5MHz                | 1.4MHz | 1.3MHz | 1.2MHz | 1.1MHz | 1.0MHz | 900KHz | 800KHz |
| 010                   | 1.0MHz                | 933KHz | 867KHz | 800KHz | 733KHz | 667KHz | 600KHz | 533KHz |
| 011                   | 750KHz                | 700KHz | 650KHz | 600KHz | 550KHz | 500KHz | 450KHz | 400KHz |
| 100                   | 600KHz                | 560KHz | 520KHz | 480KHz | 440KHz | 400KHz | 360KHz | 320KHz |
| 101                   | 500KHz                | 467KHz | 433KHz | 400KHz | 367KHz | 333KHz | 300KHz | NA     |
| 110                   | 429KHz                | 400KHz | 370KHz | 343KHz | 314KHz | NA     | NA     | NA     |
| 111                   | 375KHz                | 350KHz | 325KHz | 300KHz | NA     | NA     | NA     | NA     |

There are a number of options that could result in similar PWM switching frequency as shown above. In general, the chip consumes less power at lower oscillator frequency. When synchronization of the Main Oscillator Frequency to an external system clock is desired, the user must choose the oscillator frequency to be within  $\pm 5\%$  of the external clock frequency. A higher Main Oscillator frequency will not improve accuracy or any performance efficiency.

Note: It is the intention of the synchronization feature to sync to a system clock or to another compatible MaxLinear device, not the switching frequency.

**PWM SWITCHING FREQUENCY CONSIDERATIONS**

There are several considerations when choosing the PWM switching frequency.

**Minimum On Time**

Minimum on time determines the minimum duty cycle at the specific switching frequency. The minimum on time for the XRP7714 is 40ns.

$$\text{Minimum Duty Cycle\%} = \text{Minimum ontime} \times \text{PWM Frequency} \times 100$$

As an example the minimum duty cycle is 4% for 1MHz PWM frequency. This is important since the minimum on time dictates the maximum conversion ratio that the PWM controller can achieve.

$$\text{Minimum Duty Cycle\%} > \frac{V_{out}}{V_{inmax}}$$

**Maximum Duty Cycle**

The maximum duty cycle is dictated by the minimum required time to sample the current when the low side MOSFET is on, this depends on the frequency of the main oscillator and the selected PWM frequency. It is best to choose the highest main oscillator frequency available for any specific PWM frequency. The maximum duty cycle for each PWM frequency is shown in the table below:

| Maximum Duty Cycle | Main Oscillator Frequency |         |         |         |         |        |         |         |
|--------------------|---------------------------|---------|---------|---------|---------|--------|---------|---------|
|                    | 48MHz                     | 44.8MHz | 41.6MHz | 38.4MHz | 35.2MHz | 32MHz  | 28.8MHz | 25.6MHz |
| 78%                | 1.5MHz                    | 1.4MHz  | 1.3MHz  | 1.2MHz  | 1.1MHz  | 1.0MHz | 900KHz  | 800KHz  |
| 86%                | 1.0MHz                    | 933KHz  | 867KHz  | 800KHz  | 733KHz  | 667KHz | 600KHz  | 533KHz  |
| 84%                | 750KHz                    | 700KHz  | 650KHz  | 600KHz  | 550KHz  | 500KHz | 450KHz  | 400KHz  |
| 89%                | 600KHz                    | 560KHz  | 520KHz  | 480KHz  | 440KHz  | 400KHz | 360KHz  | 320KHz  |
| 88%                | 500KHz                    | 467KHz  | 433KHz  | 400KHz  | 367KHz  | 333KHz | 300KHz  | NA      |
| 88%                | 429KHz                    | 400KHz  | 370KHz  | 343KHz  | 314KHz  | NA     | NA      | NA      |
| 86%                | 375KHz                    | 350KHz  | 325KHz  | 300KHz  | NA      | NA     | NA      | NA      |

Fig. 26: PWM Frequency

The maximum duty cycle obtained from the table above is programmed by the PowerArchitect™ software into each of the channels using the SET\_DUTY\_LIMITER\_CHx register. This ensures that under all conditions (including faults), there will always be sufficient sampling time to measure the output current. When the duty cycle limit is reached, the output voltage will no longer regulate and will be clamped based on the maximum duty cycle limit setting.

It is possible for the user to program SET\_DUTY\_LIMITER\_CHx register to a higher value, but the OCP Fault and OCP WARN flags should then be ignored.

### Efficiency

The PWM Switching frequency plays an important role on overall power conversion efficiency. As the switching frequency increase, the switching losses also increase. Please see the APPLICATION INFORMATION, Typical Performance Data for further examples.

### Component Selection and Frequency

Typically the components become smaller as the frequency increases, as long as the ripple requirements remain constant. At higher frequency the inductor can be smaller in value and have a smaller footprint while still maintaining the same current rating.

## FREQUENCY SYNCHRONIZATION FUNCTION AND EXTERNAL CLOCK

The user of the XRP7714 can choose to use an external source as the primary clock for the XRP7714. This function can be configured using the SET\_SYNC\_MODE\_CONFIG register. This register sets the operation of the XRP7714 when an external clock is required. By selecting the appropriate bit combination the user can configure the IC to function as a master or a slave when two or more XRP7714s are used to convert power in a system. Automatic clock selection is also provided to allow operation even if the external clock fails by switching the IC back to an internal clock.

### External Clock Synchronization

Even when configured to use an external clock, the chip initially powers up with its internal clock. The user can set the percent target that the frequency detector will use when comparing the internal clock with the clock frequency input on the GPIO pin. If the external clock frequency is detected to be within the window specified by the user, then a switchover will occur to the external clock. If the IC does not find a clock in the specified frequency target range then the external clock will not be used and the IC will run on the internal clock that was specified by the user. If the external clock fails the user can chose to have the internal clock take over, using the automatic switch back mode in the SET\_SYNC\_MODE\_CONFIG register.

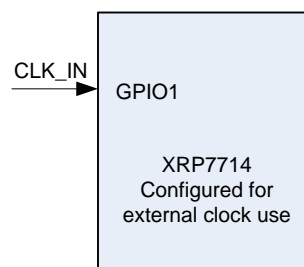


Fig. 27: XRP7714 Configured For External Clock Use

**Synchronized Operation as a Master and Slave Unit**

Two XRP7714s can be synchronized together. This Master-Slave configuration is described below.

- Master

When the XRP7714 powers up as a master unit after the internal configuration memory is loaded the unit will send CLK\_OUT and SYNC\_OUT signals to the slave on the preconfigured GPIO pins.

- Slave

When powering in sync mode the slave unit will initially power up with its internal clock to transfer the configuration memory. Once this transfer occurs, then the unit is set to function as a slave unit. In turn the unit will take the external clock provided by the master to run as its main internal clock.

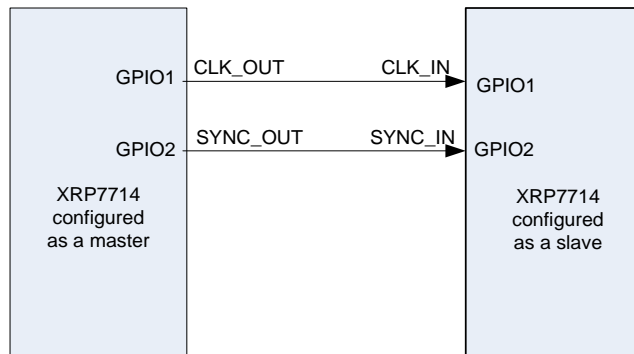


Fig. 28: Master/Slave Configuration of the XRP7714

**External Clock Synchronization Master Slave combination**

When an external clock is used, the user will need to setup the master to also have an external clock in function. All of the same rules apply as in the External clock synchronization, Synchronized operation as a Slave unit section of this document. There are two ways of synchronizing this, either the external clock going to both Master/Slave CLK\_IN, or CLK\_IN can go to the Master, and the Master can synchronize SYNC\_OUT and CLK\_OUT to the Slave.

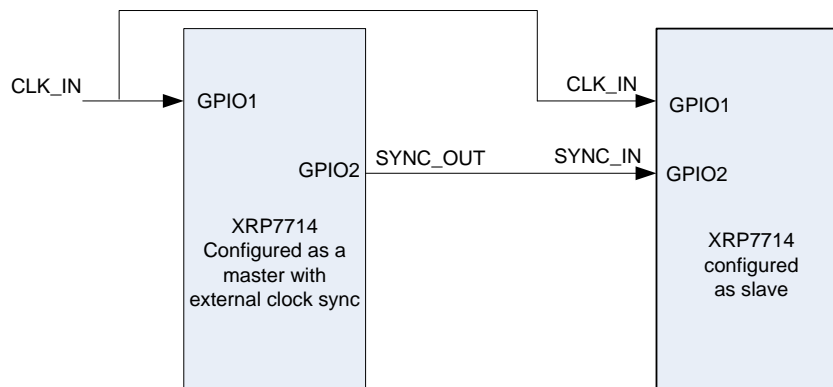


Fig. 29: External Clock Synchronization Master Slave Combination

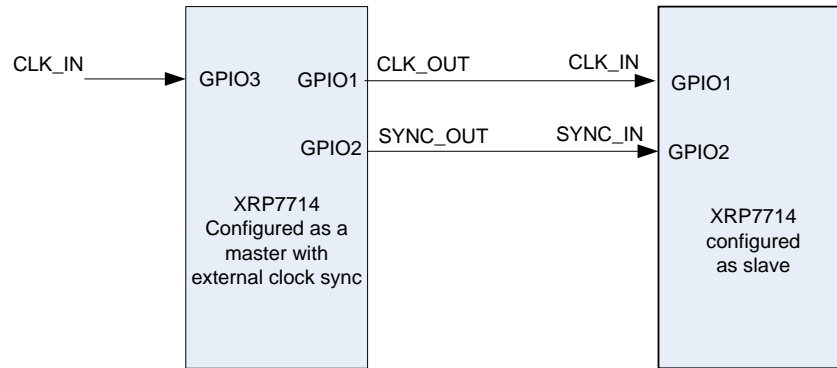


Fig. 30: Alternative External clock synchronization Master Slave combination

## PHASE SHIFT

Each switching channel is configured to run with a phase shift of 90 degrees.

## GPIO PINS

The General Purpose Input Output (GPIO) Pins are the basic interface between the XRP7714 and the system. Although all of the stored data within the IC can be read back using the I<sup>2</sup>C bus it is sometimes convenient to have some of those internal register to be displayed and or controlled by a single data pin. Besides simple input output functions the GPIO pins can be configured to serve as external clock inputs. These pins can be programmed using OTP bits or can be programmed using the I<sup>2</sup>C bus. This GPIO\_CONFIG register allows the user close to 100 different configuration functions that the GPIO can be programmed to do.

NOTE: the GPIO Pins (and all I/Os) should NOT be driven without a 10K resistor when VIN is not being applied to the IC.

### GPIO Pins Polarity

The polarity of the GPIO pin can be set by using the GPIO\_ACT\_POL register. This register allows any GPIO pin whether configured as an input or output to change polarity. Bits [5:0] are used to set the polarity of GPIO 0 though 5. If the IC operates in I<sup>2</sup>C mode, then the commands for Bits [5:4] are ignored.

### Supply Rail Enable

Each GPIO can be configured to enable a specific power rail for the system. The GPIOx\_CFG register allows a GPIO to enable/disable any of the following rails controlled by the chip:

- A single buck power controller
- The Standby LDO
- Any mix of the Standby LDO and power controller(s)

When the configured GPIO is asserted externally, the corresponding rails will be enabled, and they will be similarly disabled when the GPIO is de-asserted. This supply enabling/disabling can also be controlled through the I<sup>2</sup>C interface.

### Power Good Indicator

The GPIO pins can be configured as Power Good indicators for one or more rails. The GPIO pin is asserted when all rails configured for this specific IO are within specified limits for regulation. This information can also be found in the READ\_PWRGD\_SS\_FLAG status register.

### Fault and Warning Indication

The GPIOs can be configured to signal Fault or Warning conditions when they occur in the chip. Each GPIO can be configured to signal one of the following:

- OCP Fault on Channel 1 - 4
- OCP Warning on Channel 1 - 4
- OVP Fault on Channel 1 - 4
- UVLO Fault on VIN1 or VIN2
- UVLO Warning on VIN1 or VIN2
- Over Temperature Fault or Warning

### I<sup>2</sup>C COMMUNICATION

The I<sup>2</sup>C communication is standard 2-wire communication available between the Host and the IC. The communication has the option of enabling Packet Error Checking in order to deal with noisy environments where bit-errors could occur in the communication. This packet error checking is a CRC-8 code appended to all communication between the Host and the IC.

Each XRP7714 in an I<sup>2</sup>C -bus system is activated by sending a valid address to the device. The address always has to be sent as the first byte after the start condition in the I<sup>2</sup>C -bus protocol.

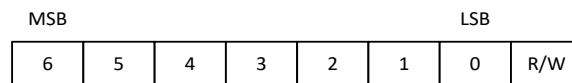


Fig. 30: Alignment of I<sup>2</sup>C address in 8 bit byte

There is one address byte required since 7-bit addresses are used. The last bit of the address byte is the read/write-bit and should always be set according to the required operation. This 7-bit I<sup>2</sup>C address is stored in the NVM. One can program a blank device with the 7-bit Slave address or select one of the preprogrammed options. The 7-bit address plus the R/W bit create an 8-bit data value that is sent on the bus.

The XRP7714ILB-0X10-F has an I<sup>2</sup>C address of 0x10. The internal registers are written by sending a data value of 0x20 and read by sending a data value of 0x21. This reflects the address being shifted one bit to the left and the least significant bit being set to reflect a read or write operation in order to stuff the byte correctly.

The second byte sent to the XRP7714 is the location of a specific register.

### Using GPIO3 to select I<sup>2</sup>C Address

GPIO3 may be used to change the LSB of the 7-bit address. This option can be enabled within the PowerArchitect™ software by checking the “Use GPIO3 to control LSB of I<sup>2</sup>C address” box at the top right of the “Digital Design” tab. More about the use of this option and other methods of changing the default I<sup>2</sup>C address of the part are available in ANP-31 “Power<sup>XR</sup> Configuration and Programming”.



**EXTERNAL COMPONENT SELECTION**
**Inductor Selection**

Select the Inductor for inductance L and saturation current Isat. Select an inductor with Isat higher than the programmed over current limit. Calculate inductance from:

$$L = \frac{(V_{in} - V_{out}) \times V_{out}}{V_{in}} \times \frac{1}{f_s} \times \frac{1}{I_{rip}}$$

Where:

Vin is the converter input voltage

Vout is the converter output voltage

fs is the switching frequency

Irip is the inductor peak-to-peak current ripple (nominally set to 30% of Iout)

Keep in mind that a higher Irip results in a smaller inductance value which has the advantages of smaller size, lower DC equivalent resistance (DCR), and allows the use of a lower output capacitance to meet a given step load transient. A higher Irip, however, increases the output voltage ripple, requires higher saturation current limit, and increases critical conduction. Notice that this critical conduction current is half of Irip.

**Capacitor Selection**

- Output Capacitor Selection

Select the output capacitor for voltage rating, capacitance and Equivalent Series Resistance (ESR). Nominally the voltage rating is selected to be at least twice as large as the output voltage. Select the capacitance to satisfy the specification for output voltage overshoot/undershoot caused by the current step load. A sudden decrease in the load current forces the energy surplus in the inductor to be absorbed by Cout. This causes an overshoot in output voltage that is corrected by power switch reduced duty cycle. Use the following equation to calculate Cout:

$$C = L \times \frac{(I_2 - I_1)^2}{V_{os}^2 - V_{out}^2}$$

Where:

L is the output inductance

I2 is the step load high current

I1 is the step load low current

Vos is output voltage including the overshoot

Vout is the steady state output voltage

Or it can be expressed approximately by

$$C = L \times \frac{(I_2 - I_1)^2}{2 \times V_{out} - \Delta V}$$

Here,  $\Delta V = V_{os} - V_{out}$  is the overshoot voltage deviation.

Select ESR such that output voltage ripple ( $V_{rip}$ ) specification is met. There are two components in  $V_{rip}$ . First component arises from the charge transferred to and from  $C_{out}$  during each cycle. The second component of  $V_{rip}$  is due to the inductor ripple current flowing through the output capacitor's ESR. It can be calculated for  $V_{rip}$ :

$$V_{rip} = I_{rip} \times \sqrt{ESR^2 + \left(\frac{1}{8 \times C_{out} \times f_s}\right)^2}$$

Where:

$I_{rip}$  is the inductor ripple current

$f_s$  is the switching frequency

$C_{out}$  is the output capacitance

Note that a smaller inductor results in a higher  $I_{rip}$ , therefore requiring a larger  $C_{out}$  and/or lower ESR in order to meet  $V_{rip}$ . With the current generation of ultra-low ESR ceramic capacitors it is common to operate with  $I_{rip} \geq 30\%$  of  $I_{out}$ .

When trying to optimize control loop bandwidth, particularly at switching frequencies below 600kHz, an effective ESR in the range of 7 to 20mohm can help significantly. The Digital Power Studio design tool is used to verify what will work best in your application.

- Input Capacitor Selection

Select the input capacitor for Voltage, Capacitance, ripple current, ESR and ESL. Voltage rating is nominally selected to be at least twice the input voltage. The RMS value of input capacitor current, assuming a low inductor ripple current, can be approximated as:

$$I_{in} = I_{out} \times \sqrt{D \times (1 - D)}$$

Where:

$I_{in}$  is the RMS input current

$I_{out}$  is the DC output current

$D$  is the duty cycle

In general, the total input voltage ripple should be kept below 1.5% of  $V_{in}$ . The input voltage ripple also has two major components: the voltage drop on the main capacitor  $\Delta V_{C_{in}}$  and the voltage drop due to ESR -  $\Delta V_{ESR}$ . The contribution to Input voltage ripple by each term can be calculated from:

$$\Delta V_{C_{in}} = \frac{I_{out} V_{out} (V_{in} - V_{out})}{f_s C_{in} V_{in}^2}$$

$$\Delta V_{ESR} = ESR \cdot (I_{out} + 0.5I_{rip})$$

Total input voltage ripple is the sum of the above:

$$\Delta V_{Tot} = \Delta V_{C_{in}} + \Delta V_{ESR}$$

**Power MOSFETs Selection**

Selecting MOSFETs with lower  $R_{dson}$  reduces conduction losses at the expense of increased switching losses. Conduction losses are expressed by the two following equations.

High Side MOSFET Conducted Loss:

$$P_{cond} = I_{out}^2 \cdot R_{dson} \cdot \frac{V_{out}}{V_{in}}$$

Low Side MOSFET Conducted Loss:

$$P_{cond} = I_{out}^2 \cdot R_{dson} \cdot \left(1 - \frac{V_{out}}{V_{in}}\right)$$

The MOSFET's junction temperature can be estimated from:

$$T_j = 2P_{cond} R_{thja} + T_{ambient}$$

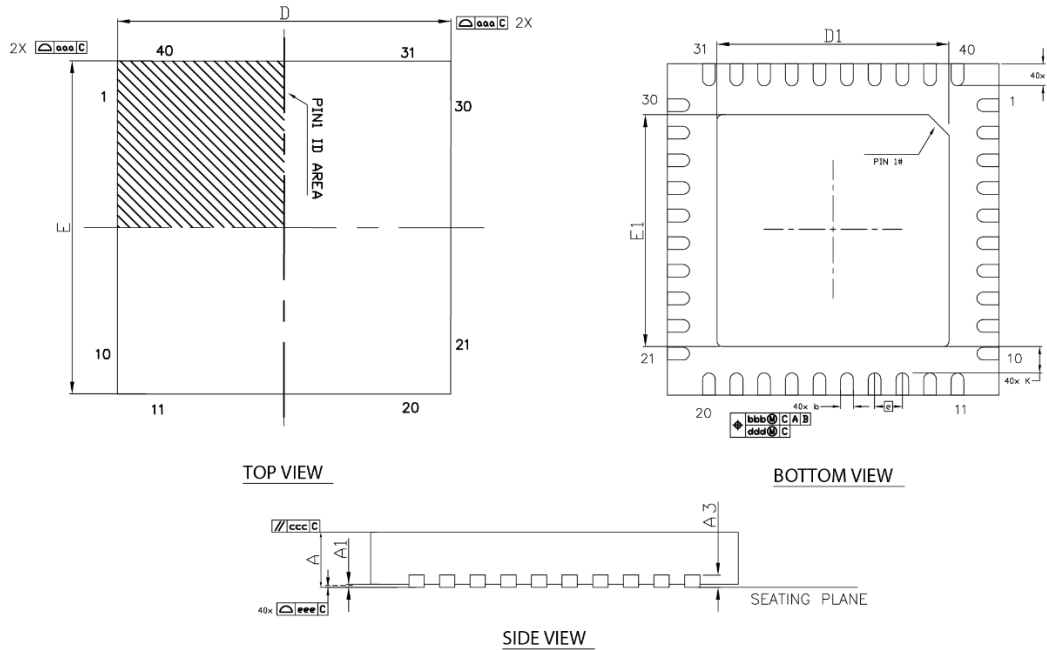
This assumes that the switching loss is the same as the conduction loss.  $R_{thja}$  is the total MOSFET thermal resistance from junction to ambient.

**LAYOUT GUIDELINES**

Refer to application note ANP-32 "Practical Layout Guidelines for Power<sup>XR</sup> Designs".

**MECHANICAL DIMENSIONS**

40-PIN 6mm x 6mm TQFN



| DIMENSION TABLE |          |         |      |
|-----------------|----------|---------|------|
| SYMBOL          | MIN      | NOM     | MAX  |
| A               | 0.70     | 0.75    | 0.80 |
| A1              | 0.00     | 0.02    | 0.05 |
| A3              | ---      | 0.20Ref | ---  |
| b               | 0.20     | 0.25    | 0.30 |
| D               | 6.00 BSC |         |      |
| E               | 6.00 BSC |         |      |
| e               | 0.50 BSC |         |      |
| D1              | 4.40     | 4.50    | 4.60 |
| E1              | 4.40     | 4.50    | 4.60 |
| L               | 0.30     | 0.40    | 0.50 |
| K               | 0.20     | —       | —    |
| aaa             |          | 0.15    |      |
| bbb             |          | 0.10    |      |
| ccc             |          | 0.10    |      |
| ddd             |          | 0.05    |      |
| eee             |          | 0.08    |      |
| N               |          | 40      |      |

TERMINAL DETAILS

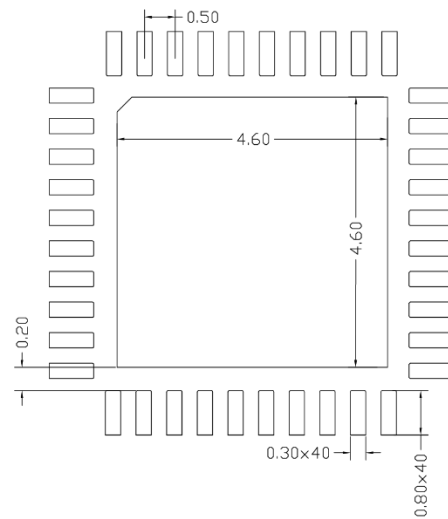
- ALL DIMENSIONS ARE IN MILLIMETERS.
- DIMENSIONS AND TOLERANCE PER JEDEC MO-220.

Drawing No.: POD- 00000137

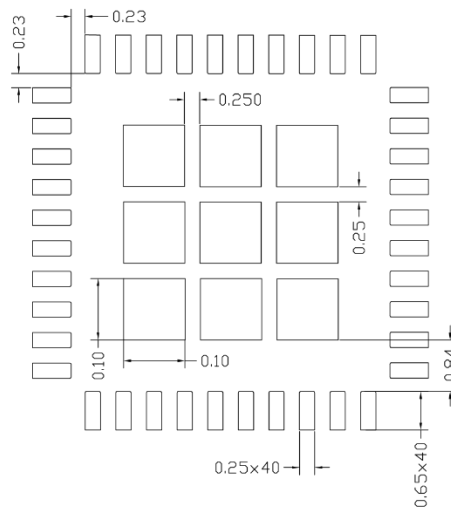
Revision: A

**RECOMMENDED LAND PATTERN AND STENCIL**

40-PIN 6mm x 6mm TQFN



TYPICAL RECOMMENDED LAND PATTERN



TYPICAL RECOMMENDED STENCIL

Drawing No.: POD- 00000137

Revision: A