

XSPN10122EX

Inductive proximity sensors XS ATEX D,
inductive sensor Namur, M30, Sn10mm, 7...12
VDC, cable 2 m



Main

| | |
|------------------------------------|--|
| Range of product | Telemecanique Inductive proximity sensors XS |
| Series name | Application |
| Sensor type | Inductive proximity sensor |
| Device application | ATEX dust |
| Sensor name | XSP |
| Sensor design | Cylindrical M30 |
| Size | 43.5 mm |
| Body type | Fixed |
| Detector flush mounting acceptance | Flush mountable |
| Material | Plastic |
| Enclosure material | Plastic |
| [Sn] nominal sensing distance | 0.39 in (10 mm) |
| Type of output signal | Discrete |
| Wiring technique | 2-wire |
| Discrete output function | 1 NC |
| Output circuit type | DC |
| Discrete output type | Namur |
| Electrical connection | Cable |
| Cable length | 6.56 ft (2 m) |
| [Us] rated supply voltage | 7...12 V DC |
| Switching capacity in mA | <= 1 mA |
| IP degree of protection | IP67 conforming to IEC 60529 |

Complementary

| | |
|--------------------------|-----------------------------------|
| Thread type | M30 x 1.5 |
| Detection face | Frontal |
| Front material | PPS |
| Sensing range | > 0.31...0.59 in (> 8...15 mm) |
| Operating zone | 0.00...0.31 in (0...8 mm) |
| Cable composition | 2 x 0.34 mm ² |
| Wire insulation material | PvR |
| Maximum residual current | 3 mA open state |
| Switching frequency | <= 300 Hz |
| Marking | II1 D-Ex ia IIIC T85°C Da IP66/67 |
| Threaded length | 1.34 in (34 mm) |
| Height | 1.18 in (30 mm) |
| Length | 1.71 in (43.5 mm) |

The information provided in this documentation contains general descriptions and/or technical characteristics of the performance of the products contained herein. This documentation is not intended as a substitute for and is not to be used for determining suitability or reliability of these products for specific user applications. It is the duty of any such user or integrator to perform the appropriate and complete risk analysis, evaluation and testing of the products with respect to the relevant specific application or use thereof. Neither Schneider Electric Industries SAS nor any of its affiliates or subsidiaries shall be responsible or liable for misuse of the information contained herein.

Environment

| | |
|---------------------------------------|-----------------------------------|
| Environmental characteristic | Hazardous location |
| Standards | EN/IEC 60079-11 EN/IEC 60079-0 |
| Directives | 94/9/EC - ATEX directive |
| Product certifications | INERIS 04ATEX0016X |
| Ambient air temperature for operation | -4...140 °F (-20...60 °C) |
| Dust zone | Zone 20 |


Ordering and shipping details

| | |
|-----------------------|----------------------------|
| Category | 22486 - SENSORS, PROXIMITY |
| Discount Schedule | DS2 |
| GTIN | 03389110955705 |
| Nbr. of units in pkg. | 1 |
| Package weight(Lbs) | 0.31 lb(US) (0.14 kg) |
| Returnability | No |
| Country of origin | FR |

Packing Units

| | |
|------------------------------|------------------------|
| Unit Type of Package 1 | PCE |
| Package 1 Height | 1.57 in (4 cm) |
| Package 1 width | 6.10 in (15.5 cm) |
| Package 1 Length | 6.89 in (17.5 cm) |
| Unit Type of Package 2 | S02 |
| Number of Units in Package 2 | 20 |
| Package 2 Weight | 6.80 lb(US) (3.083 kg) |
| Package 2 Height | 5.91 in (15 cm) |
| Package 2 width | 11.81 in (30 cm) |
| Package 2 Length | 15.75 in (40 cm) |

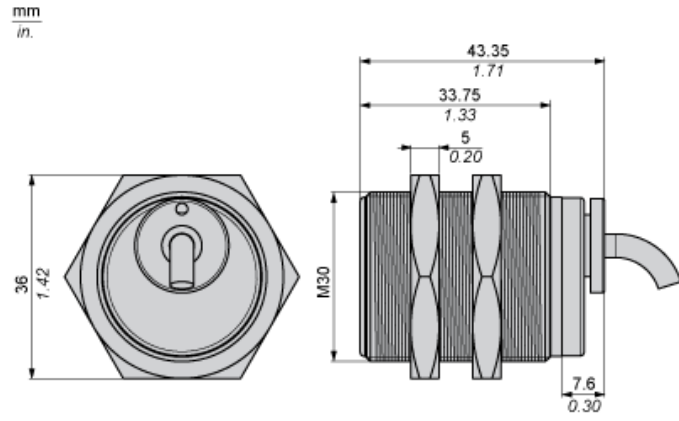
Offer Sustainability

| | |
|---------------------------|---|
| California proposition 65 | WARNING: This product can expose you to chemicals including: Diisononyl phthalate (DINP), which is known to the State of California to cause cancer, and Di-isodecyl phthalate (DIDP), which is known to the State of California to cause birth defects or other reproductive harm. For more information go to www.P65Warnings.ca.gov |
| REACH Regulation |  REACH Declaration |
| EU RoHS Directive | Not applicable, out of EU RoHS legal scope |

Contractual warranty

| | |
|----------|-----------|
| Warranty | 18 months |
|----------|-----------|

Dimensions



Minimum Mounting Distances

Side by side



e (1) 20 mm/0.79 in

≥

Face to face



e (2) 120 mm/4.72 in

≥

Facing a metal object



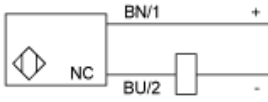
e (3) 30 mm/1.18 in.

≥

Wiring Schemes

2-wire DC Polarised

NC Output



BN : Brown

BU : Blue