



Main

| | |
|-------------------------------|---|
| Range of Product | Telemecanique Photoelectric sensors XU |
| Series name | General purpose single mode |
| Electronic sensor type | Photo-electric sensor |
| Sensor name | XUK |
| Sensor design | Compact 50 x 50 |
| Detection system | Reflex |
| Material | Plastic |
| Type of output signal | Discrete |
| Supply circuit type | AC/DC |
| Wiring Technique | 5-wire |
| Discrete output function | 1 C/O |
| Electrical connection | Cable |
| Cable length | 16.40 ft (5 m) |
| Product Specific Application | - |
| Emission | Infrared reflex |
| [Sn] nominal sensing distance | 22.97 ft (7 m) reflex need reflector XUZC50 |

Complementary

| | |
|--------------------------------|---|
| Enclosure Material | PBT |
| Lens material | PMMA |
| Maximum sensing distance | 32.81 ft (10 m) reflex |
| Output Type | Relay |
| Cable composition | 5 x 0.34 mm ² |
| Wire insulation material | PVC |
| Cable outer diameter | 0.24 in (6 mm) |
| Status LED | 1 LED yellow)output state 1 LED green)supply |
| [Us] rated supply voltage | 24...240 V AC/DC |
| Supply voltage limits | 20...264 V AC |
| Switching capacity in mA | 3 A cos ϕ = 1 for 0.5 million cycles at 1 operating cycle per second at 250 V) |
| Switching frequency | <= 20 Hz |
| Current consumption | <= 35 mA no-load |
| Maximum power consumption in W | 2 W AC |
| Maximum delay first up | 60 ms |
| Maximum delay response | 25 ms |
| Maximum delay recovery | 25 ms |
| Setting-up | Without sensitivity adjustment |
| Electrical durability | 500000 cycles 1 60 cyc/mn 250 V |
| Depth | 1.97 in (50 mm) |
| Height | 1.97 in (50 mm) |
| Width | 0.71 in (18 mm) |
| Net Weight | 0.08 lb(US) (0.035 kg) |

Environment

| | |
|---------------------------------------|--|
| Product Certifications | Ecolab CE |
| Ambient air temperature for operation | -13...131 °F (-25...55 °C) |
| Ambient Air Temperature for Storage | -40...158 °F (-40...70 °C) |
| Vibration resistance | 7 gn +/- 1.5 mm 10...55 Hz IEC 60068-2-6 |
| Shock resistance | 30 gn 11 ms) IEC 60068-2-27 |
| IP degree of protection | IP65 double insulation IEC 60529 |

Ordering and shipping details

| | |
|-----------------------|---|
| Category | 21571-SENSORS, ELECTRONIC BASIC XU & XS |
| Discount Schedule | DS2 |
| GTIN | 3389110703399 |
| Nbr. of units in pkg. | 1 |
| Package weight(Lbs) | 11.15 oz (316.0 g) |
| Returnability | Yes |
| Country of origin | ID |

Packing Units

| | |
|------------------------------|-------------------------|
| Unit Type of Package 1 | PCE |
| Package 1 Height | 1.57 in (4 cm) |
| Package 1 width | 5.12 in (13 cm) |
| Package 1 Length | 5.12 in (13 cm) |
| Unit Type of Package 2 | S02 |
| Number of Units in Package 2 | 20 |
| Package 2 Weight | 14.97 lb(US) (6.791 kg) |
| Package 2 Height | 5.91 in (15 cm) |
| Package 2 width | 11.81 in (30 cm) |
| Package 2 Length | 15.75 in (40 cm) |

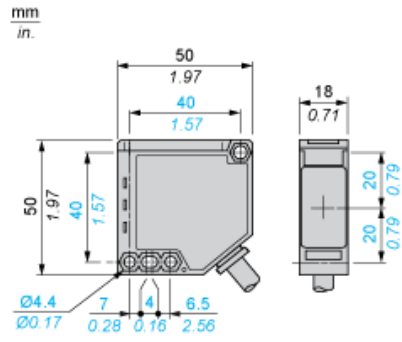
Offer Sustainability

| | |
|----------------------------|---|
| Sustainable offer status | Green Premium product |
| California proposition 65 | WARNING: This product can expose you to chemicals including: Diisononyl phthalate (DINP), which is known to the State of California to cause cancer, and Di-isodecyl phthalate (DIDP), which is known to the State of California to cause birth defects or other reproductive harm. For more information go to www.P65Warnings.ca.gov |
| REACH Regulation | REACH Declaration |
| EU RoHS Directive | Pro-active compliance (Product out of EU RoHS legal scope) EU RoHS Declaration |
| Mercury free | Yes |
| RoHS exemption information | Yes |
| Environmental Disclosure | Product Environmental Profile |
| Circularity Profile | End Of Life Information |

Contractual warranty

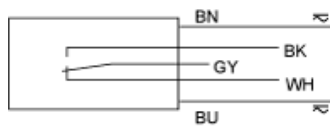
| | |
|----------|-----------|
| Warranty | 18 months |
|----------|-----------|

Dimensions



Wiring Schemes

Relay Output



BN : Brown
BU : Blue
NO/ Black
BK :
RelayGrey
common/
GY :
NC/ White
WH :