

XUK2LAPSM12R

Photoelectric sensors XU, photo electric laser sensor, XUK, thru beam receiver, Sn 30 m, 10...30 VDC, M12



Main

| | |
|-------------------------------|---|
| Range of Product | Telemecanique Photoelectric sensors XU |
| Series name | Application material handling Application assembly |
| Electronic sensor type | Photo-electric sensor |
| Sensor name | XUK |
| Sensor design | Compact 50 x 50 |
| Detection system | Thru beam |
| Material | Plastic |
| Type of output signal | Discrete |
| Supply circuit type | DC |
| Wiring Technique | 4-wire |
| Discrete output type | PNP |
| Discrete output function | 1 NO or 1 NC programmable |
| Electrical connection | 1 male connector M12, 4 pins |
| Product Specific Application | - |
| Emission | Red thru beam |
| [Sn] nominal sensing distance | 82.02 ft (25 m) thru beam need transmitter XUK2LAKSMM12T |

Complementary

| | |
|---------------------------|--|
| Enclosure Material | ABS/PC |
| Lens material | PMMA |
| Maximum sensing distance | 98.43 ft (30 m) thru beam |
| Output Type | Solid state |
| Add on output | Without |
| Add on input | External teach |
| Status LED | 1 LED green)supply on 1 LED yellow)output state 1 LED red)alignment assistance |
| [Us] rated supply voltage | 12...24 V DC reverse polarity protection |
| Supply voltage limits | 10...30 V DC |
| Switching capacity in mA | <= 100 mA overload and short-circuit protection) |
| Switching frequency | <= 500 Hz |
| Maximum voltage drop | <2.4 V closed state) |
| Current consumption | <= 30 mA no-load |
| Maximum delay first up | 300 ms |
| Maximum delay response | 0.14 ms |
| Maximum delay recovery | 0.14 ms |
| Setting-up | Using teach button or remote teaching |
| Depth | 1.97 in (50 mm) |
| Height | 1.97 in (50 mm) |
| Width | 0.91 in (23 mm) |
| Net Weight | 0.08 lb(US) (0.035 kg) |

The information provided in this documentation contains general descriptions and/or technical characteristics of the performance of the products contained herein. This documentation is not intended as a substitute for and is not to be used for determining suitability or reliability of these products for specific user applications. It is the duty of any such user or integrator to perform the appropriate and complete risk analysis, evaluation and testing of the products with respect to the relevant specific application or use thereof. Neither Schneider Electric Industries SAS nor any of its affiliates or subsidiaries shall be responsible or liable for misuse of the information contained herein.

Environment

| | |
|---------------------------------------|--|
| Product Certifications | Ecolab CULus CE |
| Ambient air temperature for operation | -4...140 °F (-20...60 °C) -4...122 °F (-20...50 °C), UL |
| Ambient Air Temperature for Storage | -4...176 °F (-20...80 °C) |
| Vibration resistance | 7 gn +/- 1.5 mm 10...55 Hz) IEC 60068-2-6 |
| Shock resistance | 30 gn 11 ms) IEC 60947-5-2 |
| IP degree of protection | IP67 IEC 60529 IP69K DIN 40050 |

Ordering and shipping details

| | |
|-------------------|------------------------------|
| Category | 22481-SENSORS, PHOTOELECTRIC |
| Discount Schedule | DS2 |
| GTIN | 03389119077552 |
| Returnability | No |
| Country of origin | DE |

Packing Units

| | |
|------------------------------|------------------------|
| Unit Type of Package 1 | PCE |
| Number of Units in Package 1 | 1 |
| Package 1 Height | 1.18 in (3.0 cm) |
| Package 1 Width | 2.36 in (6.0 cm) |
| Package 1 Length | 3.94 in (10.0 cm) |
| Package 1 Weight | 1.13 oz (32.0 g) |
| Unit Type of Package 2 | S01 |
| Number of Units in Package 2 | 28 |
| Package 2 Height | 5.91 in (15.0 cm) |
| Package 2 Width | 5.91 in (15.0 cm) |
| Package 2 Length | 15.75 in (40.0 cm) |
| Package 2 Weight | 3.40 lb(US) (1.544 kg) |

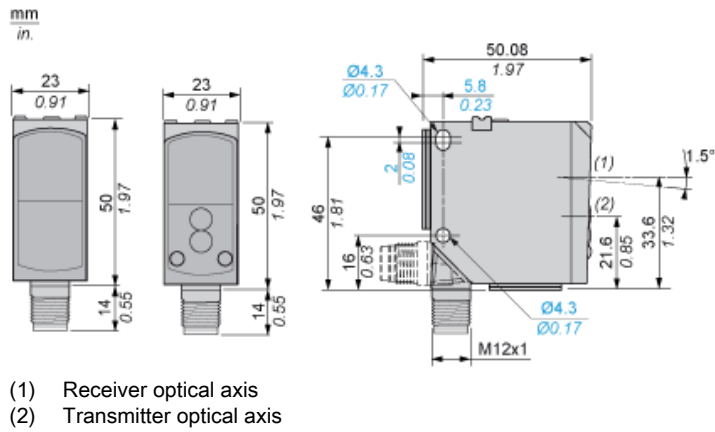
Offer Sustainability

| | |
|----------------------------|---|
| California proposition 65 | WARNING: This product can expose you to chemicals including: Diisononyl phthalate (DINP), which is known to the State of California to cause cancer, and Di-isodecyl phthalate (DIDP), which is known to the State of California to cause birth defects or other reproductive harm. For more information go to www.P65Warnings.ca.gov |
| REACH Regulation | REACH Declaration |
| EU RoHS Directive | Pro-active compliance (Product out of EU RoHS legal scope) EU RoHS Declaration |
| Mercury free | Yes |
| RoHS exemption information | Yes |

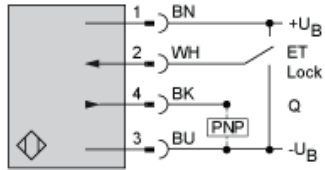
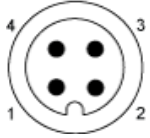
Contractual warranty

| | |
|----------|-----------|
| Warranty | 18 months |
|----------|-----------|

Dimensions



Wiring Schemes Using M12 Connector



- 1 : (+)
- 2 : ET/Lock (1)
- 3 : (-)
- 4 : Output
- BN : Brown
- WH : White
- BU : Blue
- BK : Black
- +UB : External teach
- UB : Pushbutton locking
- (1) ET/Lock. ET: External Teach, Lock: Pushbutton locking