



Main

| | |
|-------------------------------|--|
| Range of Product | Telemecanique Photoelectric sensors XU |
| Series name | Application material handling |
| Electronic sensor type | Photo-electric sensor |
| Sensor name | XUV |
| Sensor design | Fork |
| Detection system | Thru beam |
| Emission | Infrared |
| Passage width | 1.18 in (30 mm) |
| Passage depth | 1.57 in (40 mm) |
| Material | Plastic |
| Supply circuit type | DC |
| Wiring Technique | 3-wire |
| Discrete output type | NPN |
| Discrete output function | 1 NO |
| Electrical connection | Cable |
| Cable length | 6.56 ft (2 m) |
| Product Specific Application | Detection of flags in lifts/transtockers |
| [Sn] nominal sensing distance | 1.18 in (30 mm) |

Complementary

| | |
|----------------------------|--|
| Enclosure Material | ABS/PC |
| Lens material | PMMA |
| Type of output signal | Discrete |
| Output Type | Solid state |
| Output function governance | Dark |
| Cable composition | 3 x 0.34 mm ² |
| Wire insulation material | PvR |
| Cable outer diameter | 0.20 in (5 mm) |
| Status LED | Output state 1 LED red) |
| [Us] rated supply voltage | 24 V DC reverse polarity protection |
| Supply voltage limits | 19...38 V DC |
| Switching capacity in mA | <= 150 mA overload and short-circuit protection) |
| Switching frequency | <= 1 kHz |
| Maximum voltage drop | <1.5 V closed state) |
| Current consumption | <= 20 mA no-load |
| Maximum delay first up | 30 ms |
| Maximum delay response | 0.5 ms |
| Maximum delay recovery | 0.5 ms |
| Setting-up | Without sensitivity adjustment |
| Depth | 2.68 in (68 mm) |
| Height | 2.32 in (59 mm) |
| Width | 0.55 in (14 mm) |
| Net Weight | 0.29 lb(US) (0.13 kg) |

Environment

| | |
|---------------------------------------|--|
| Product Certifications | CE |
| Ambient Air Temperature for Operation | 23...131 °F (-5...55 °C) |
| Ambient Air Temperature for Storage | -4...158 °F (-20...70 °C) |
| Vibration resistance | 7 gn +/- 1 mm 10...42 Hz IEC 60068-2-6 |
| Shock resistance | 30 gn 11 ms) IEC 60068-2-27 |
| IP degree of protection | IP54 IEC 60529 |


Ordering and shipping details

| | |
|-------------------|------------------------------|
| Category | 22481-SENSORS, PHOTOELECTRIC |
| Discount Schedule | DS2 |
| GTIN | 3389110540659 |
| Returnability | No |
| Country of origin | FR |

Packing Units

| | |
|------------------------------|-------------------|
| Unit Type of Package 1 | PCE |
| Number of Units in Package 1 | 1 |
| Package 1 Height | 0.98 in (2.5 cm) |
| Package 1 Width | 5.91 in (15.0 cm) |
| Package 1 Length | 5.91 in (15.0 cm) |
| Package 1 Weight | 3.60 oz (102.0 g) |

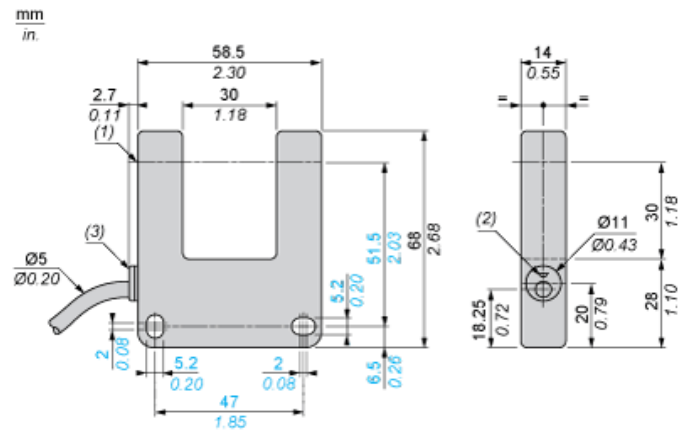
Offer Sustainability

| | |
|---------------------------|---|
| California proposition 65 | WARNING: This product can expose you to chemicals including: Diisononyl phthalate (DINP), which is known to the State of California to cause cancer, and Di-isodecyl phthalate (DIDP), which is known to the State of California to cause birth defects or other reproductive harm. For more information go to www.P65Warnings.ca.gov |
| REACH Regulation |  REACH Declaration |
| EU RoHS Directive | Not applicable, out of EU RoHS legal scope |

Contractual warranty

| | |
|----------|-----------|
| Warranty | 18 months |
|----------|-----------|

Dimensions

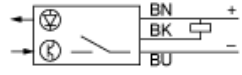


- (1) Optical axis
- (2) Red LED
- (3) Diffuser

Wiring Schemes (3-Wire DC)

NO Function

NPN Output



BN : Brown
BK : Black
BU : Blue