

# XUYFALNEP40120

Photoelectric sensors XU, XUY, fork, laser, teach, 120X42mm, 12...24 VDC, M8



## Main

|                               |   |
|-------------------------------|---|
| Range of Product              | Telemecanique Photoelectric sensors XU  |
| Series name                   | Application   |
| Electronic sensor type        | Photo-electric sensor   |
| Sensor name                   | XUY   |
| Sensor design                 | Fork  |
| Detection system              | Thru beam   |
| Emission                      | Infrared laser, modulated - class 1 IEC 825-1   |
| Passage width                 | 4.72 in (120 mm)  |
| Passage depth                 | 1.65 in (42 mm)   |
| Material                      | Metal/plastic   |
| Supply circuit type           | DC  |
| Wiring Technique              | 4-wire  |
| Discrete output type          | PNP and NPN   |
| Discrete output function      | 1 NO or 1 NC programmable   |
| Electrical connection         | 1 male connector M8, 4 pins   |
| Product Specific Application  | Detection of reference marks<br>Detection on vibrating rail<br>Detection of transparent object<br>Detection on small conveyor |
| [Sn] nominal sensing distance | 4.72 in (120 mm)  |

## Complementary

|                                       |   |
|---------------------------------------|---|
| Enclosure Material                    | Painted aluminium and polyamide/glass                                       |
| Keypad Type                           | Yellow  |
| Minimum object diameter for detection | 0.00 in (0.05 mm)   |
| Type of output signal                 | Discrete  |
| Output Type                           | Solid state   |
| Status LED                            | Adjustment mode and keypad locking 1 LED red)<br>Output state 1 LED yellow) |
| [Us] rated supply voltage             | 12...24 V DC reverse polarity protection                                    |
| Supply voltage limits                 | 10...30 V DC  |
| Switching capacity in mA              | 100 mA overload and short-circuit protection)                               |
| Switching frequency                   | 10 kHz  |
| Maximum voltage drop                  | <2 V closed state)  |
| Current consumption                   | 40 mA no-load   |
| Load capacitance                      | 330 nF  |
| Time response                         | -20...20 µs   |
| Setting-up                            | Self teaching   |
| Net Weight                            | 0.42 lb(US) (0.19 kg)   |

## Environment

|                                       |   |
|---------------------------------------|---|
| Product Certifications                | CULus<br>CE   |
| Ambient Air Temperature for Operation | -4...140 °F (-20...60 °C)                             |
| Ambient Air Temperature for Storage   | -22...176 °F (-30...80 °C)                            |
| Immunity to ambient light             | 10000 Lux natural light<br>5000 lux incandescent bulb |
| Vibration resistance                  | 7 gn +/- 0.75 mm 10...55 Hz) IEC 60068-2-6            |

|                         |                             |
|-------------------------|-----------------------------|
| Shock resistance        | 30 gn 11 ms) IEC 60068-2-27 |
| IP degree of protection | IP65 IEC 60529              |

### Ordering and shipping details

|                   |                              |
|-------------------|------------------------------|
| Category          | 22481-SENSORS, PHOTOELECTRIC |
| Discount Schedule | DS2                          |
| GTIN              | 3389119006675                |
| Returnability     | No                           |
| Country of origin | FR                           |

### Packing Units

|                              |                      |
|------------------------------|----------------------|
| Unit Type of Package 1       | PCE                  |
| Number of Units in Package 1 | 1                    |
| Package 1 Height             | 0.50 in (1.27 cm)    |
| Package 1 Width              | 5.50 in (13.97 cm)   |
| Package 1 Length             | 6.50 in (16.51 cm)   |
| Package 1 Weight             | 0.22 lb(US) (0.1 kg) |

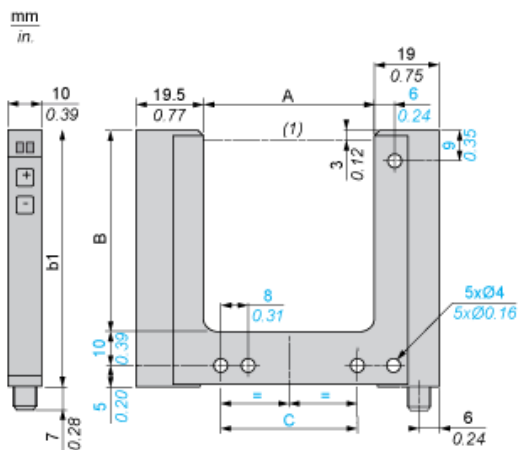
### Offer Sustainability

|                            |   |
|----------------------------|---|
| California proposition 65  | WARNING: This product can expose you to chemicals including: Diisononyl phthalate (DINP), which is known to the State of California to cause cancer, and Di-isodecyl phthalate (DIDP), which is known to the State of California to cause birth defects or other reproductive harm. For more information go to <a href="http://www.P65Warnings.ca.gov">www.P65Warnings.ca.gov</a> |
| REACH Regulation           | <a href="#">REACH Declaration</a>   |
| EU RoHS Directive          | Pro-active compliance (Product out of EU RoHS legal scope) <a href="#">EU RoHS Declaration</a>  |
| Mercury free               | Yes   |
| RoHS exemption information | <a href="#">Yes</a>   |

### Contractual warranty

|          |           |
|----------|-----------|
| Warranty | 18 months |
|----------|-----------|

Dimensions



(1) Optical axis

Dimensions in mm

| A   | B  | b1 | C   |
|-----|----|----|-----|
| 120 | 42 | 57 | 110 |

Dimensions in in.

| A    | B    | b1   | C    |
|------|------|------|------|
| 4.72 | 1.65 | 2.24 | 4.33 |