



## Main

Range of Product	Telemecanique Photoelectric sensors XU
Series name	Application
Electronic sensor type	Photo-electric sensor
Sensor name	XUY
Sensor design	Miniature
Detection system	Diffuse with background suppression
Material	Plastic
Type of output signal	Discrete
Supply circuit type	DC
Wiring Technique	4-wire
Discrete output type	PNP
Discrete output function	1 NO or 1 NC programmable
Electrical connection	1 male connector M8, 4 pins
Product Specific Application	Conveyor system and access control series
Emission	Red LED, pulsed
[Sn] nominal sensing distance	3.28 Ft (1 m) polarised reflex 13.12 Ft (4 m) thru beam 0.26 Ft (0.08 m) diffuse with background suppression 0.82 ft (0.25 m) diffuse with adjustable sensitivity

## Complementary

Enclosure Material	ABS
Lens material	PMMA
Cover Material	PUR
Pulse frequency	6 kHz
Output Type	Solid state
[Us] rated supply voltage	12...24 V DC reverse polarity protection
Supply voltage limits	10...30 V DC
Switching capacity in mA	100 mA overload and short-circuit protection)
Switching frequency	500 Hz
Maximum voltage drop	<2 V 100 mA closed state) <1 V 10 mA closed state)
Current consumption	< 25 mA no-load
Maximum delay response	1 ms
Net Weight	0.10 lb(US) (0.044 kg)

## Environment

Product Certifications	CE cULus
Ambient Air Temperature for Operation	32...122 °F (0...50 °C)
Ambient Air Temperature for Storage	-4...176 °F (-20...80 °C)
IP degree of protection	IP65 IEC 60529 IP67 IEC 60529

The information provided in this documentation contains general descriptions and/or technical characteristics of the performance of the products contained herein. This documentation is not intended as a substitute for and is not to be used for determining suitability or reliability of these products for specific user applications. It is the duty of any such user or integrator to perform the appropriate and complete risk analysis, evaluation and testing of the products with respect to the relevant specific application or use thereof. Neither Schneider Electric Industries SAS nor any of its affiliates or subsidiaries shall be responsible or liable for misuse of the information contained herein.

## Ordering and shipping details

Category	22481-SENSORS, PHOTOELECTRIC
Discount Schedule	DS2
GTIN	3389119007221
Returnability	No
Country of origin	FR

## Packing Units

Unit Type of Package 1	PCE
Number of Units in Package 1	1
Package 1 Height	1.34 in (3.4 cm)
Package 1 Width	4.96 in (12.6 cm)
Package 1 Length	2.91 in (7.4 cm)
Package 1 Weight	1.41 oz (40.0 g)
Unit Type of Package 2	S02
Number of Units in Package 2	35
Package 2 Height	5.91 in (15.0 cm)
Package 2 Width	11.81 in (30.0 cm)
Package 2 Length	15.75 in (40.0 cm)
Package 2 Weight	3.92 lb(US) (1.776 kg)

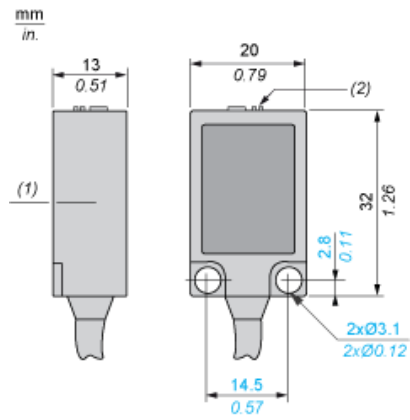
## Offer Sustainability

California proposition 65	WARNING: This product can expose you to chemicals including: Diisononyl phthalate (DINP), which is known to the State of California to cause cancer, and Di-isodecyl phthalate (DIDP), which is known to the State of California to cause birth defects or other reproductive harm. For more information go to <a href="http://www.P65Warnings.ca.gov">www.P65Warnings.ca.gov</a>
REACH Regulation	<a href="#">REACH Declaration</a>
EU RoHS Directive	Pro-active compliance (Product out of EU RoHS legal scope) <a href="#">EU RoHS Declaration</a>
Mercury free	Yes
RoHS exemption information	<a href="#">Yes</a>

## Contractual warranty

Warranty	18 months
----------	-----------

Dimensions



- (1) Optical axis
- (2) Accuracy adjustment