

# Product data sheet

Specifications



## Editable voice alarms, Harmony XVS, black, mounting 96mm DIN rail, NPN, 100...230V AC

XVSV9MBN

Product availability : Stock - Normally stocked in distribution facility

**Price\* : 160.00 USD**

### Main

Range of Product	Harmony XVS
Product or Component Type	Editable electronic alarm
Beacon or indicator bank unit type	Sound unit
Device short name	XVSV

### Complementary

Color	Dark grey
Input type	Bit 6 channel input Binary 63 channel input
Assembly style	Ready assembled
Material	PC (polycarbonate) body PC (polycarbonate) back cover TPE (thermoplastic elastomer) front panel NBR (nitrile butadiene rubber)
Marking	CE
Overvoltage category	Class II EN/IEC 61140
Mounting Support	96 mm DIN rail
[Us] rated supply voltage	100...230 V AC
[Ue] rated operational voltage	90...264 V AC
[Ui] rated insulation voltage	250 V
Inrush current	30 A
Associated fuse rating	1 A
[Uimp] rated impulse withstand voltage	2.5 kV IEC 60947-1
Power consumption in W	10 W
Current consumption	100 mA 100 V AC
Clamping connection capacity	<= 1 x 1.5 mm <sup>2</sup>
Device Application	Subway Packaging Printing
Mounting diameter	4.13 in (105 mm)

\* Price is "List Price" and may be subject to a trade discount – check with your local distributor or retailer for actual price.

Width	4.13 in (105 mm)
Height	4.13 in (105 mm)
Depth	1.97 in (50.1 mm)
Product Weight	0.63 lb(US) (0.287 kg)

## Environment

Discrete output type	NPN
Signalling type	Adjustable vocal sound
Standards	EN/IEC 60947-5-1
Protective treatment	TC
Ambient Air Temperature for Storage	-4...140 °F (-20...60 °C)
Ambient Air Temperature for Operation	32...122 °F (0...50 °C)
Pollution degree	2
Relative humidity	35...85 % without condensation
Vibration resistance	7 gn
IP degree of protection	Panel mounted IP65 EN/IEC 60529 Wall mounted IP20
Noise level	0...97 dB stop or suppress)1 m

## Ordering and shipping details

Category	22617-XVC TOWER LIGHTS
Discount Schedule	XV
GTIN	3606480623912
Returnability	No

## Packing Units

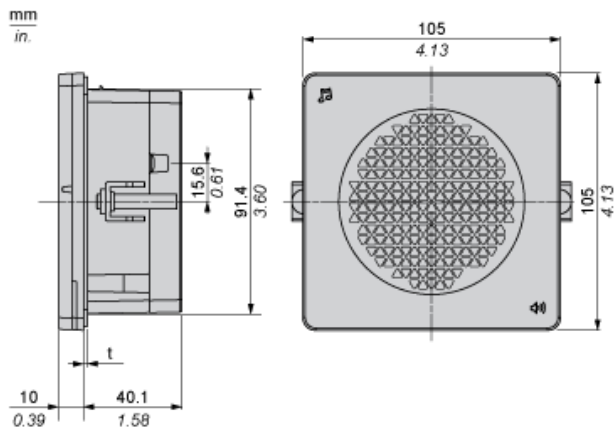
Unit Type of Package 1	PCE
Number of Units in Package 1	1
Package 1 Height	3.43 in (8.7 cm)
Package 1 Width	5.12 in (13.0 cm)
Package 1 Length	6.77 in (17.2 cm)
Package 1 Weight	20.95 oz (594.0 g)
Unit Type of Package 2	S03
Number of Units in Package 2	1
Package 2 Height	11.81 in (30.0 cm)
Package 2 Width	11.81 in (30.0 cm)
Package 2 Length	15.75 in (40.0 cm)
Package 2 Weight	2.88 lb(US) (1.307 kg)

## Offer Sustainability

Sustainable offer status	Green Premium product
California proposition 65	WARNING: This product can expose you to chemicals including: Lead and lead compounds, which is known to the State of California to cause cancer and birth defects or other reproductive harm. For more information go to <a href="http://www.P65Warnings.ca.gov">www.P65Warnings.ca.gov</a>

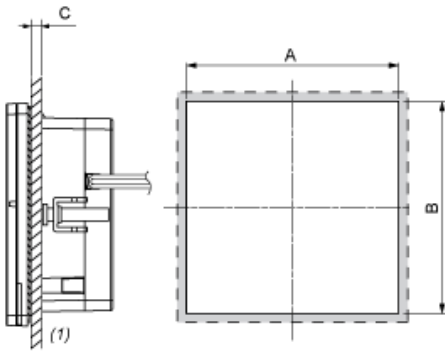
<b>REACH Regulation</b>	<a href="#">REACH Declaration</a>
<b>EU RoHS Directive</b>	Pro-active compliance (Product out of EU RoHS legal scope) <a href="#">EU RoHS Declaration</a>
<b>Mercury free</b>	Yes
<b>China RoHS Regulation</b>	<a href="#">China RoHS declaration</a>
<b>RoHS exemption information</b>	Yes
<b>Environmental Disclosure</b>	<a href="#">Product Environmental Profile</a>
<b>Circularity Profile</b>	<a href="#">End of Life Information</a>

Dimensions



(t) : Waterproof rubber (1.6 mm / 0.06 in.)

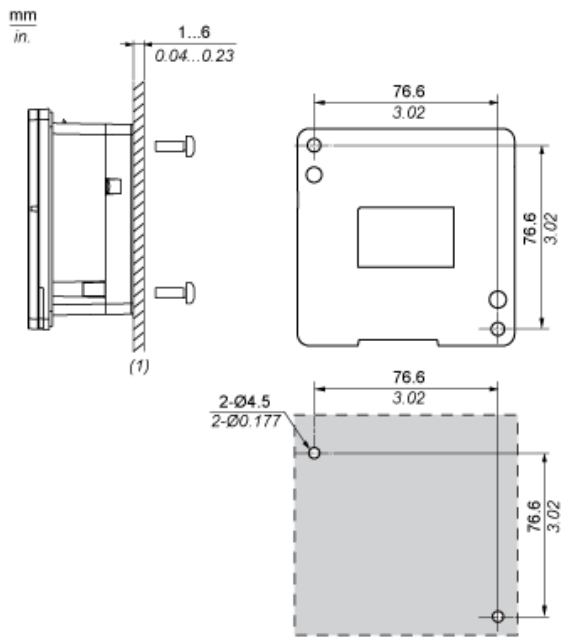
**Panel Cut Dimensions**



(1) Installation panel

A	B	C
92 +0.6/0 mm (3.62 +0.0236/0 in.)	92 +0.6/0 mm (3.62 +0.0236/0 in.)	1...4 mm (0.04...0.15 in.)

Wall Mount Dimensions



(1) Installation panel