

|                                     |      |
|-------------------------------------|------|
| Selection Guide.....                | 988  |
| YC1N K Mini Contactors.....         | 989  |
| Part Numbers.....                   | 989  |
| Accessories.....                    | 991  |
| Specifications.....                 | 991  |
| Dimensions.....                     | 992  |
| Electrical Diagrams.....            | 992  |
| YC1U Series Contactor AC Coil.....  | 993  |
| Part Numbers.....                   | 993  |
| Accessories.....                    | 995  |
| Specifications.....                 | 996  |
| Dimensions.....                     | 997  |
| Electrical Diagrams.....            | 999  |
| YC1N Series Contactors AC Coil..... | 1000 |
| Part Numbers.....                   | 1000 |
| Accessories.....                    | 1001 |
| Specifications.....                 | 1002 |
| Dimensions.....                     | 1003 |
| Electrical Diagrams.....            | 1004 |

## Contactors



[www.IDEC.com/contactor](http://www.IDEC.com/contactor)



Selection Guide

Selection by Horsepower Rating (AC Coil)

| Series          | YC1N(K) Mini series   | YC1U AC Series  | YC1N AC Series  |
|-----------------|---|---|---|
|                 |  |  |  |
| Coil Voltage    | AC or DC  | AC  | AC  |
| Amp Range (AC3) | 9A & below  | 9A - 80A  | 80A - 300A  |
| RoHS Compliance | Yes   | Yes   | Yes   |
| Page            | 989   | 993   | 1000  |
| Approvals       |  |  |  |

Bi-Metallic Thermal Overloads

| Series         | YC9Z  | YC9Z  | YC9Z  |
|----------------|---|---|---|
|                |  |  |  |
| Amp Range      | 0.1 - 12.5 Amps   | 0.1 - 90 Amps   | 65 - 185 Amps   |
| Phase Failure  | Yes   | Yes   | Yes   |
| Reset Mode     | Manual and Automatic  | Manual and Automatic  | Manual and Automatic  |
| RoHS Compliant | Yes   | Yes   | Yes   |
| Page           | 991   | 995   | 995   |
| Approvals      |  |  |  |

Switches & Pilot Lights

Signaling Lights

Relays & Sockets

Timers

Contactors

Terminal Blocks

Circuit Breakers

YC1N(K) Mini Contactors



Key Features:

- Phase with built in NO or NC Auxiliary contact
- Top mount snap-on Auxiliary contact blocks
- 4 Amp & 5.5 Amp AC-3 Ratings
- Comply with IEC 60945, UL508, CSA C22.2 standards



Part Number Key

YC1 **N** - **5** **B** **A120**

Coil Voltage Code

N: AC Coil  
K: DC Coil

Contactor Size\*

(5, 6)

\*See selection table for details.

Coil Voltage

A24: 24V AC, 50/60Hz  
A120: 120V AC, 50/6-Hz  
A240: 240V AC, 50/60Hz  
A480: 480V AC, 50/60Hz  
D24: 24V DC  
D110: 110V DC

Auxiliary Contact Arrangement

Blank: 1NO  
B: 1NC

Part Numbers

Selection by Horsepower Rating (AC Coil)

|  | Rated Power (Hp) per AC3 IEC 60947-4-1 |      |          |          |          |      |          | Rated Power (Hp) per UL508 CSA C22.2 |          |          |          |          |      | Auxiliary Contact | Part Numbers | Coil Voltage  |
|--|--|------|----------|----------|----------|------|----------|--------------------------------------|----------|----------|----------|----------|------|-------------------|--------------|---|
|  | 1-Phase                                |      | 3-Phase  |          |          |      |          | 1-Phase                              |          | 3-Phase  |          |          |      |                   |              |   |
|  | 110V                                   | 220V | 220/240V | 380/400V | 415/440V | 500V | 660/690V | 110/120V                             | 220/240V | 200/208V | 230/240V | 440/480V | 575V |                   |              |   |
|  | 0.5                                    | 1    | 2        | 4        | 4        | 4    | 4        | -                                    | -        | 2        | 2        | 3        | 3    | 1NO               | YC1N-5       | +<br>A24: 24V AC<br>A120: 120V AC<br>A240: 240V AC<br>A480: 480V AC |
|  |  |      |          |          |          |      |          |                                      |          |          |          |          |      | 1NC               | YC1N-5B      |   |
|  | 0.75                                   | 1.5  | 3        | 5.5      | 5.5      | 5.5  | 5.5      | -                                    | -        | 3        | 3        | 5        | 5    | 1NO               | YC1N-6       |   |
|  |  |      |          |          |          |      |          |                                      |          |          |          |          |      | 1NC               | YC1N-6B      |   |

Switches & Pilot Lights

Signaling Lights

Relays & Sockets

Timers

Contactors

Terminal Blocks

Circuit Breakers

Switches & Pilot Lights

Signaling Lights

**Selection by Horsepower Rating (DC Coil)**

| Rated Power (Hp) per AC3 IEC 60947-4-1 |      |          |          |          |      |          |          | Rated Power (Hp) per UL508 CSA C22.2 |          |          |          |      |     | Auxiliary Contact | Part Numbers                      | Coil Voltage |
|--|------|----------|----------|----------|------|----------|----------|--------------------------------------|----------|----------|----------|------|-----|-------------------|-----------------------------------|--------------|
| 1-Phase                                |      | 3-Phase  |          |          |      |          |          | 1-Phase                              |          | 3-Phase  |          |      |     |                   |                                   |              |
| 110V                                   | 220V | 220/240V | 380/400V | 415/440V | 500V | 660/690V | 110/120V | 220/240V                             | 200/208V | 230/240V | 440/480V | 575V |     |                   |                                   |              |
| 0.5                                    | 1    | 2        | 4        | 4        | 4    | 4        | -        | -                                    | 2        | 2        | 3        | 3    | 1NO | YC1K-5            | +<br>D24: 24V DC<br>D110: 110V DC |              |
|  |      |          |          |          |      |          |          |                                      |          |          |          |      | 1NC | YC1K-5B           |                                   |              |
| 0.75                                   | 1.5  | 3        | 5.5      | 5.5      | 5.5  | 5.5      | -        | -                                    | 3        | 3        | 5        | 5    | 1NO | YC1K-6            |                                   |              |
|  |      |          |          |          |      |          |          |                                      |          |          |          |      | 1NC | YC1K-6B           |                                   |              |



Relays & Sockets

**Selection by Amp Rating (AC Coil)**

| Rated Power (A) per AC3 IEC 60947-4-1 |      |          |          |          |      |          | Rated Power (A) per UL508 CSA C22.2 |          |          |          |          |      | Auxiliary Contact | Part Numbers | Coil Voltage  |
|---------------------------------------|------|----------|----------|----------|------|----------|-------------------------------------|----------|----------|----------|----------|------|-------------------|--------------|---|
| 1-Phase                               |      | 3-Phase  |          |          |      |          | 1-Phase                             |          | 3-Phase  |          |          |      |                   |              |   |
| 110V                                  | 220V | 220/240V | 380/400V | 415/440V | 500V | 660/690V | 110/120V                            | 220/240V | 200/208V | 230/240V | 440/480V | 575V |                   |              |   |
| 8                                     | 7    | 7.5      | 7        | 6.5/6    | 5    | 4        | -                                   | -        | 7.5      | 6.8      | 4.8      | 3.9  | 1NO               | YC1N-5       | +<br>A24: 24V AC<br>A120: 120V AC<br>A240: 240V AC<br>A480: 480V AC |
|                                       |      |          |          |          |      |          |                                     |          |          |          |          |      | 1NC               | YC1N-5B      |   |
| 10.5                                  | 10   | 10.1     | 9        | 8.5/8    | 6.5  | 5        | -                                   | -        | 11       | 9.6      | 7.6      | 6.1  | 1NO               | YC1N-6       |   |
|                                       |      |          |          |          |      |          |                                     |          |          |          |          |      | 1NC               | YC1N-6B      |   |

Timers

**Selection by Amp Rating (DC Coil)**

| Rated Power (A) per AC3 IEC 60947-4-1 |      |          |          |          |      |          | Rated Power (A) per UL508 CSA C22.2 |          |          |          |          |      | Auxiliary Contact | Part Numbers | Coil Voltage                      |
|---------------------------------------|------|----------|----------|----------|------|----------|-------------------------------------|----------|----------|----------|----------|------|-------------------|--------------|-----------------------------------|
| 1-Phase                               |      | 3-Phase  |          |          |      |          | 1-Phase                             |          | 3-Phase  |          |          |      |                   |              |                                   |
| 110V                                  | 220V | 220/240V | 380/400V | 415/440V | 500V | 660/690V | 110/120V                            | 220/240V | 200/208V | 230/240V | 440/480V | 575V |                   |              |                                   |
| 8                                     | 7    | 7.5      | 7        | 6.5/6    | 5    | 4        | -                                   | -        | 7.5      | 6.8      | 4.8      | 3.9  | 1NO               | YC1K-5       | +<br>D24: 24V DC<br>D110: 110V DC |
|                                       |      |          |          |          |      |          |                                     |          |          |          |          |      | 1NC               | YC1K-5B      |                                   |
| 10.5                                  | 10   | 10.1     | 9        | 8.5/8    | 6.5  | 5        | -                                   | -        | 11       | 9.6      | 7.6      | 6.1  | 1NO               | YC1K-6       |                                   |
|                                       |      |          |          |          |      |          |                                     |          |          |          |          |      | 1NC               | YC1K-6B      |                                   |

Contactors

**Selection by Kilowatt Rating (AC Coil)**

| Rated Power (kW) per AC3 IEC 60947-4-1 |      |          |          |          |      |          | Auxiliary Contact | Part Numbers | Coil Voltage  |
|--|------|----------|----------|----------|------|----------|-------------------|--------------|---|
| 1-Phase                                |      | 3-Phase  |          |          |      |          |                   |              |   |
| 110V                                   | 220V | 220/240V | 380/400V | 415/440V | 500V | 660/690V |                   |              |   |
| 0.37                                   | 0.75 | 1.5      | 3        | 3        | 3    | 3        | 1NO               | YC1N-5       | +<br>A24: 24V AC<br>A120: 120V AC<br>A240: 240V AC<br>A480: 480V AC |
|  |      |          |          |          |      |          | 1NC               | YC1N-5B      |   |
| 0.55                                   | 1.1  | 2.2      | 4        | 4        | 4    | 4        | 1NO               | YC1N-6       |   |
|  |      |          |          |          |      |          | 1NC               | YC1N-6B      |   |

Terminal Blocks

**Selection by Kilowatt Rating (DC Coil)**

| Rated Power (kW) per AC3 IEC 60947-4-1 |      |          |          |          |      |          | Auxiliary Contact | Part Numbers | Coil Voltage                      |
|--|------|----------|----------|----------|------|----------|-------------------|--------------|-----------------------------------|
| 1-Phase                                |      | 3-Phase  |          |          |      |          |                   |              |                                   |
| 110V                                   | 220V | 220/240V | 380/400V | 415/440V | 500V | 660/690V |                   |              |                                   |
| 0.37                                   | 0.75 | 1.5      | 3        | 3        | 3    | 3        | 1NO               | YC1K-5       | +<br>D24: 24V DC<br>D110: 110V DC |
|  |      |          |          |          |      |          | 1NC               | YC1K-5B      |                                   |
| 0.55                                   | 1.1  | 2.2      | 4        | 4        | 4    | 4        | 1NO               | YC1K-6       |                                   |
|  |      |          |          |          |      |          | 1NC               | YC1K-6B      |                                   |

Circuit Breakers

Accessories

| Description    | Current Range | Part Number   |
|----------------|---------------|---------------|
| Overload Relay | 0.1-0.16A     | YC9Z-RHU5AP16 |
|                | 0.16-0.25A    | YC9Z-RHU5AP25 |
|                | 0.25-0.4A     | YC9Z-RHU5AP4  |
|                | 0.35-0.5A     | YC9Z-RHU5AP5  |
|                | 0.45-0.63A    | YC9Z-RHU5AP63 |
|                | 0.55-0.8A     | YC9Z-RHU5AP8  |
|                | 0.75-1A       | YC9Z-RHU5A1P0 |
|                | 0.9-1.3A      | YC9Z-RHU5A1P3 |
|                | 1.1-1.6A      | YC9Z-RHU5A1P6 |
|                | 1.4-2A        | YC9Z-RHU5A2P0 |
|                | 1.8-2.5A      | YC9Z-RHU5A2P5 |
|                | 2.3-3.2A      | YC9Z-RHU5A3P2 |
|                | 2.9-4A        | YC9Z-RHU5A4P0 |
|                | 3.5-4.8A      | YC9Z-RHU5A4P8 |
|                | 4.5-6.3A      | YC9Z-RHU5A6P3 |
|                | 5.5-7.5A      | YC9Z-RHU5A7P5 |
|                | 7.2-10A       | YC9Z-RHU5A10P |
|                | 9-12.5A       | YC9Z-RHU5A12P |



| Description                                     | Form A (NO) | Form B (NC)  | Part Number  |
|---|-------------|--------------|--------------|
| Top Mount Auxiliary Contact                     | —           | 2 NC         | YC9Z-CNA202M |
|   | —           | 4 NC         | YC9Z-CNA404M |
|   | 1 NO        | 1 NC         | YC9Z-CNA211M |
|   | 1 NO        | 3 NC         | YC9Z-CNA413M |
|   | 2 NO        | —            | YC9Z-CNA220M |
|   | 2 NO        | 2 NC         | YC9Z-CNA422M |
|   | 3 NO        | 1 NC         | YC9Z-CNA431M |
| 4 NO  | —           | YC9Z-CNA440M |              |
| Mechanical Interlock - for Reversing Contactors |             |              | YC9Z-CI6     |
|   |             |              |              |
| Surge Suppressor Unit                           | 120V AC     | RC           | YC9Z-SS1ES   |
|   |             | VARISTOR     | YC9Z-SS2ES   |
|   | 240V AC     | RC           | YC9Z-SS1HS   |
|   |             | VARISTOR     | YC9Z-SS2HS   |

General Specifications

|                                     | YC1N-5/6     | YC1K-5/6 |
|-------------------------------------|--------------|----------|
| Contact Configuration               | 3A1a or 3A1b |          |
| Making Capacity (A)                 | 10xIe        |          |
| Breaking Capacity (A)               | 8xIe         |          |
| Switching Frequency (Operations/Hr) | 1,200        |          |
| Electrical Life (Operations)        | 1,000,000    |          |
| Mechanical Life (Operations)        | 5,000,000    |          |
| Operating Temperature               | -20°C ~ 55°C |          |
| Storage Temperature                 | -40°C ~ 70°C |          |
| Weight (Kg)                         | 0.18         | 0.23     |

Note: Ie = rated operational current

Main Pole Contact Specifications

|                                      | YC1N-5/6    | YC1K-5/6 |
|--------------------------------------|-------------|----------|
| Insulation Voltage, Ui (V)           | IEC: 690    | UL: 600  |
| Operational Voltage, Ue (V)          | IEC: 690    | UL: 600  |
| Thermal Current, I <sub>th</sub> (A) | IEC /UL: 20 |          |
| Short Circuit Current Rating (KA)    | 5           |          |
| NEMA Size Equivalent (approx.)       | 00+         |          |

Specifications

Auxiliary Contacts Specifications

|  |               | YC1N-5/6         | YC1K-5/6 |
|--|---------------|------------------|----------|
| Insulation Voltage, Ui (V)                         |               | IEC /UL: 600/600 |          |
| Operational Voltage, Ue (V)                        |               | IEC /UL: 600/600 |          |
| Thermal Current, I <sub>th</sub> (A)               |               | AC: 10           | DC: 2.5  |
| Operational Current (A)<br>IEC 60947-5-1<br>UL 508 | AC-15<br>A600 | 120V             | 6        |
|  |               | 240V             | 3        |
|  |               | 380V             | 1.9      |
|  |               | 480V             | 1.5      |
|  |               | 500V             | 1.4      |
|  | DC-13<br>Q300 | 600V             | 1.2      |
|  |               | 125V             | 0.55     |
|  |               | 250V             | 0.27     |

Coil Specifications

|                              |         | YC1N-5/6 | YC1K-5/6 |
|------------------------------|---------|----------|----------|
| Pick-up Voltage              | 50/60Hz | 75%      | 75%      |
| Power Consumption, max. (VA) | Inrush  | 27       | —        |
|                              | Sealed  | 5        | 3        |
| Power Dissipation max. (W)   |         | 2        | 3        |

Switches & Pilot Lights

Signaling Lights

Relays & Sockets

Timers

Contactors

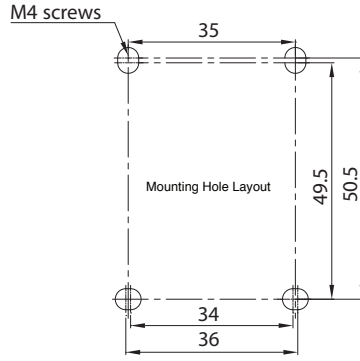
Terminal Blocks

Circuit Breakers

Dimensions (mm)

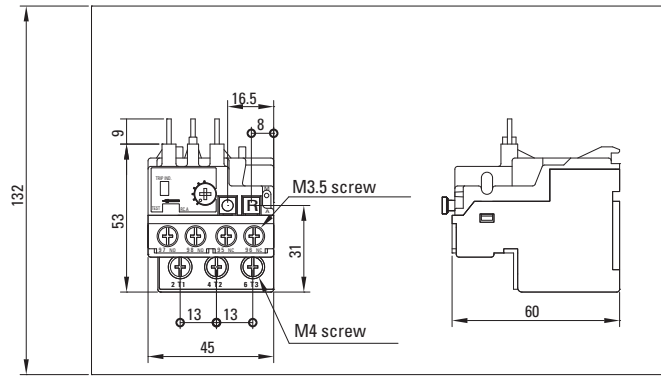
Contactor

YC1N-5/6, YC1K-5/6



Accessories

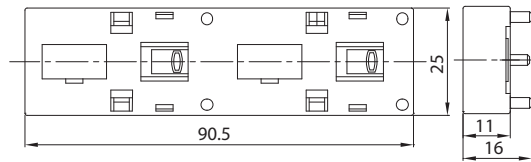
Overload Relay YC9Z-RHU5



Top Mounting Auxiliary Contact YC9Z-CNA

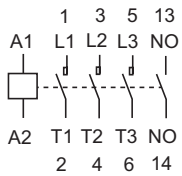


Mechanical Interlock YC9Z-CI6

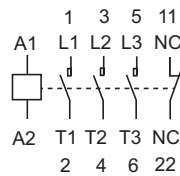


Electrical Diagrams

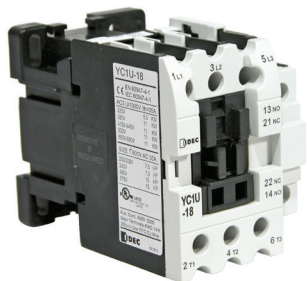
YC1N-5/6, YC1K-5/6 (1NO Aux.)



YC1N-5/6, YC1K-5/6 (1NC Aux.)



### YC1U Series Contactor (AC Coil)



**Key Features:**

- 3-Phase with built in NO or NC Auxiliary contact
- Side Mount & Top mount snap-on Auxiliary contact blocks
- Comply with IEC 60945, UL508, CSA C22.2 standards



**Part Number Key**

YC1U – **9** **B** **A120**

**Contactor Size\***

9, 11, 16, 18, 27, 32, 38, 50, 65, 80

\*see selection table for details

**Coil Voltage**

A24: 24V AC, 50/60Hz  
 A120: 120V AC, 50/60Hz  
 A240: 240V AC, 50/60Hz  
 A480: 480V AC, 50/60Hz

**Auxiliary Contact Arrangement**

Blank: 1NO (size 9 - 16)  
 1NO-1NC (size 18 - 38)  
 2NO-2NC (size 50 - 80)  
 B: 1NC (size 9 - 16 only)

### Part Numbers

**Selection by Horsepower Rating**

|     | Rated Power (Hp) per AC3 IEC 60947-4-1 |      |          |          |          |      |          | Rated Power (Hp) per UL508 CSA C22.2 |          |          |          |          |         | Auxiliary Contact | Part Numbers | Coil Voltage  |
|-----|--|------|----------|----------|----------|------|----------|--------------------------------------|----------|----------|----------|----------|---------|-------------------|--------------|---|
|     | 1-Phase                                |      | 3-Phase  |          |          |      |          | 1-Phase                              |          | 3-Phase  |          |          |         |                   |              |   |
|     | 110V                                   | 220V | 220/240V | 380/400V | 415/440V | 500V | 660/690V | 110/120V                             | 220/240V | 200/208V | 230/240V | 440/480V | 575V    |                   |              |   |
|     | 0.75                                   | 1.5  | 3.5      | 5.5      | 5.5      | 5.5  | 5.5      | 0.75                                 | 2        | 3        | 3        | 5        | 7.5     | 1NO               | YC1U-9       | +<br>A24: 24V AC<br>A120: 120V AC<br>A240: 240V AC<br>A480: 480V AC |
|     | 0.75                                   | 1.5  | 4        | 7.5      | 7.5      | 7.5  | 7.5      | 1                                    | 2        | 5        | 5        | 7.5      | 10      | 1NC               | YC1U-9B      |   |
|     | 1                                      | 2    | 5.5      | 10       | 10       | 10   | 10       | 1.5                                  | 3        | 5        | 5        | 10       | 10      | 1NO               | YC1U-11      |   |
|     |  |      |          |          |          |      |          |                                      |          |          |          |          |         | 1NC               | YC1U-11B     |   |
|     | 1                                      | 2    | 5.5      | 10       | 10       | 10   | 10       | 1.5                                  | 3        | 5        | 5        | 10       | 10      | 1NO               | YC1U-16      |   |
|     |  |      |          |          |          |      |          |                                      |          |          |          |          |         | 1NC               | YC1U-16B     |   |
|     | 1.5                                    | 3    | 7.5      | 15       | 15       | 15   | 15       | 2                                    | 3        | 7.5      | 7.5      | 15       | 15      | 1NO-1NC           | YC1U-18      |   |
|     |  |      |          |          |          |      |          |                                      |          |          |          |          |         |                   |              |   |
|     | 2                                      | 4    | 10       | 20       | 20       | 20   | 20       | 2                                    | 5        | 7.5      | 10       | 20       | 20      | 1NO-1NC           | YC1U-27      |   |
|     | 2                                      | 5    | 12       | 20       | 20       | 25   | 25       | 3                                    | 5        | 10       | 15       | 25       | 30      | 1NO-1NC           | YC1U-32      |   |
|     |  |      |          |          |          |      |          |                                      |          |          |          |          |         |                   |              |   |
| 3   | 7                                      | 15   | 25       | 30       | 30       | 30   | 3        | 7.5                                  | 10       | 15       | 30       | 30       | 1NO-1NC | YC1U-38           |              |   |
|     | 4                                      | 8    | 20       | 35       | 35/40    | 40   | 40       | 5                                    | 10       | 15       | 20       | 40       | 50      | 2NO-2NC           | YC1U-50      |   |
|     | 4                                      | 8    | 25       | 40       | 45/50    | 50   | 50       | 5                                    | 15       | 20       | 25       | 50       | 60      | 2NO-2NC           | YC1U-65      |   |
|     |  |      |          |          |          |      |          |                                      |          |          |          |          |         |                   |              |   |
| 5.5 | 10                                     | 30   | 50       | 54       | 60       | 60   | 7.5      | 15                                   | 25       | 30       | 60       | 60       | 2NO-2NC | YC1U-80           |              |   |

Switches & Pilot Lights

Signaling Lights

Relays & Sockets

Timers

Contactors

Terminal Blocks

Circuit Breakers

Switches & Pilot Lights

**Selection by Amp Rating**

| Rated Power (A) per AC3 IEC 60947-4-1 |      |          |          |          |      |           | Rated Power (A) per UL508 CSA C22.2 |          |          |          |          | Auxiliary Contact | Part Numbers |                     |
|---------------------------------------|------|----------|----------|----------|------|-----------|-------------------------------------|----------|----------|----------|----------|-------------------|--------------|---------------------|
| 1-Phase                               |      | 3-Phase  |          |          |      |           | 1-Phase                             |          | 3-Phase  |          |          |                   |              |                     |
| 110V                                  | 220V | 220/240V | 380/400V | 415/440V | 500V | 660/690V  | 110/120V                            | 220/240V | 200/208V | 230/240V | 440/480V | 575V              |              |                     |
| 10.5                                  | 10.5 | 11.5     | 11       | 10/9     | 8    | 6         | 13.8                                | 12       | 12       | 9.6      | 7.6      | 9                 | 1NO<br>1NC   | YC1U-9<br>YC1U-9B   |
| 10.5                                  | 10.5 | 12       | 12       | 11       | 9    | 7         | 16                                  | 12       | 18       | 15.2     | 11       | 11                | 1NO<br>1NC   | YC1U-11<br>YC1U-11B |
| 13.5                                  | 14   | 16       | 16       | 15       | 13   | 10        | 20                                  | 17       | 18       | 15.2     | 14       | 11                | 1NO<br>1NC   | YC1U-16<br>YC1U-16B |
| 19.5                                  | 20.5 | 23       | 22       | 21       | 19   | 14        | 24                                  | 17       | 26       | 22       | 21       | 17                | 1NO-1NC      | YC1U-18             |
| 30                                    | 30   | 30       | 30       | 28/27    | 26   | 21/20     | 24                                  | 28       | 25.3     | 28       | 27       | 22                | 1NO-1NC      | YC1U-27             |
| 35                                    | 35   | 35       | 32       | 32       | 30   | 23/22     | 34                                  | 28       | 32.2     | 42       | 34       | 32                | 1NO-1NC      | YC1U-32             |
| 39                                    | 39   | 39       | 38       | 38       | 33   | 25.2/24.2 | 34                                  | 40       | 32.2     | 42       | 40       | 32                | 1NO-1NC      | YC1U-38             |
| 48                                    | 48   | 55       | 55       | 52       | 45   | 35        | 56                                  | 50       | 49       | 54       | 52       | 52                | 2NO-2NC      | YC1U-50             |
| 50                                    | 50   | 65       | 64       | 64       | 55   | 45        | 56                                  | 68       | 63       | 68       | 65       | 62                | 2NO-2NC      | YC1U-65             |
| 60                                    | 60   | 75       | 72       | 72/70    | 65   | 60        | 80                                  | 68       | 79       | 80       | 77       | 62                | 2NO-2NC      | YC1U-80             |

+

| Coil Voltage   |
|--|
| A24: 24V AC<br>A120: 120V AC<br>A240: 240V AC<br>A480: 480V AC |

Relays & Sockets

**Selection by Kilowatt Rating**

| Rated Power (kW) per AC3 IEC 60947-4-1 |      |          |          |          |      |          | Auxiliary Contact | Part Numbers        |
|--|------|----------|----------|----------|------|----------|-------------------|---------------------|
| 1-Phase                                |      | 3-Phase  |          |          |      |          |                   |                     |
| 110V                                   | 220V | 220/240V | 380/400V | 415/440V | 500V | 660/690V |                   |                     |
| 0.55                                   | 1.1  | 2.5      | 4        | 4        | 4    | 4        | 1NO<br>1NC        | YC1U-9<br>YC1U-9B   |
| 0.55                                   | 1.1  | 3        | 5.5      | 5.5      | 5.5  | 5.5      | 1NO<br>1NC        | YC1U-11<br>YC1U-11B |
| 0.75                                   | 1.5  | 4        | 7.5      | 7.5      | 7.5  | 7.5      | 1NO<br>1NC        | YC1U-16<br>YC1U-16B |
| 1.1                                    | 2.2  | 5.5      | 11       | 11       | 11   | 11       | 1NO-1NC           | YC1U-18             |
| 1.5                                    | 3    | 7.5      | 15       | 15       | 15   | 15       | 1NO-1NC           | YC1U-27             |
| 1.5                                    | 3.7  | 9        | 15       | 15       | 18.5 | 18.5     | 1NO-1NC           | YC1U-32             |
| 2.2                                    | 5    | 11       | 18.5     | 22       | 22   | 22       | 1NO-1NC           | YC1U-38             |
| 3                                      | 6    | 15       | 25       | 25/30    | 30   | 30       | 2NO-2NC           | YC1U-50             |
| 3                                      | 6    | 18.5     | 30       | 33/37    | 37   | 37       | 2NO-2NC           | YC1U-65             |
| 4                                      | 7.5  | 22       | 37       | 40       | 45   | 45       | 2NO-2NC           | YC1U-80             |

+

| Coil Voltage   |
|--|
| A24: 24V AC<br>A120: 120V AC<br>A240: 240V AC<br>A480: 480V AC |

Timers

Contactors

Terminal Blocks


Circuit Breakers



Accessories

| Item  | Contactor Size | Current Range  | Part Number    |                |
|---|----------------|----------------|----------------|----------------|
|  | 9-27           | 0.1-0.16       | YC9Z-RHU10AP16 |                |
|   |                | 0.16-0.25      | YC9Z-RHU10AP25 |                |
|   |                | 0.25-0.4A      | YC9Z-RHU10AP40 |                |
|   |                | 0.35-0.5A      | YC9Z-RHU10AP5  |                |
|   |                | 0.45-0.63A     | YC9Z-RHU10AP63 |                |
|   |                | 0.55-0.8A      | YC9Z-RHU10AP8  |                |
|   |                | 0.75-1A        | YC9Z-RHU10A1P0 |                |
|   |                | 0.9-1.3A       | YC9Z-RHU10A1P3 |                |
|   |                | 1.1-1.6A       | YC9Z-RHU10A1P6 |                |
|   |                | 1.4-2A         | YC9Z-RHU10A2P0 |                |
|   |                | 1.8-2.5A       | YC9Z-RHU10A2P5 |                |
|   |                | 2.3-3.2A       | YC9Z-RHU10A3P2 |                |
|   |                | 2.9-4A         | YC9Z-RHU10A4P0 |                |
|   |                | 3.5-4.8A       | YC9Z-RHU10A4P8 |                |
|   |                | 4.5-6.3A       | YC9Z-RHU10A6P3 |                |
|   |                | 5.5-7.5A       | YC9Z-RHU10A7P5 |                |
|   |                | 7.2-10A        | YC9Z-RHU10A10P |                |
|   |                | 9-12.5A        | YC9Z-RHU10A12P |                |
|   |                | 11.3-16A       | YC9Z-RHU10A16P |                |
|   |                | 15-20A         | YC9Z-RHU10A20P |                |
|   |                | 21-25A         | YC9Z-RHU10A25P |                |
|   |                | 24.5-30A       | YC9Z-RHU10A30P |                |
|   |                | 27-38          | 15-20A         | YC9Z-RHU10A220 |
|   |                |                | 17.5-21.5A     | YC9Z-RHU10A21P |
| 21-25A  | YC9Z-RHU10A225 |                |                |                |
| 24.5-30A  | YC9Z-RHU10A230 |                |                |                |
| 29-36A  | YC9Z-RHU10A36P |                |                |                |
| 24.5-36A  | YC9Z-RHU80A436 |                |                |                |
| 50-80   | 35-47A         | YC9Z-RHU80A447 |                |                |
|   | 17-25A         | YC9Z-RHU80A325 |                |                |
|   | 24.5-36A       | YC9Z-RHU80A336 |                |                |
|   | 35-47A         | YC9Z-RHU80A347 |                |                |
|   | 45-60A         | YC9Z-RHU80A360 |                |                |
|   |                | 58-75A         | YC9Z-RHU80A75P |                |
|   |                | 72-90A         | YC9Z-RHU80A90P |                |

| Item  | Part Number                       |           |
|---|-----------------------------------|-----------|
|  | for YC1U-9,11, 16, 18, 27, 32, 38 | YC9Z-CI18 |
|   | for YC1U-50, 65, 80               | YC9Z-CI35 |

| Item  | Part Number                                     |          |           |
|---|---|----------|-----------|
| Side Mount Auxiliary Contact<br> | for YC1U-9 thru 38 1NO-1NC (1a1b) YC9Z-CNA111SR |          |           |
| Surge Suppressor Unit   | 120V AC   | RC       | YC9Z-SS1E |
|   |   | VARISTOR | YC9Z-SS2E |
|   | 240V AC   | RC       | YC9Z-SS1H |
|   |   | VARISTOR | YC9Z-SS2H |

| Item   | Form A (NO) | Form B (NC) | Part Number |
|--|-------------|-------------|-------------|
| Top Mount Auxiliary Contact<br> | -           | 2NC         | YC9Z-CUA202 |
|  | 1NO         | 1NC         | YC9Z-CUA211 |
|  | 2NO         | -           | YC9Z-CUA220 |
|  | 2NO         | 2NC         | YC9Z-CUA422 |
|  | 3NO         | 1NC         | YC9Z-CUA431 |
|  | 4NO         | -           | YC9Z-CUA440 |

| Item              | Size    | Coil Voltage | Part Number     |
|-------------------|---------|--------------|-----------------|
| Replacement Coils | 9-27    | 24V AC       | YC9Z-LCU22A24*  |
|                   |         | 110V AC      | YC9Z-LCU22A110  |
|                   |         | 120V AC      | YC9Z-LCU22A120* |
|                   |         | 208V AC      | YC9Z-LCU22A208  |
|                   |         | 220V AC      | YC9Z-LCU22A220  |
|                   |         | 240V AC      | YC9Z-LCU22A240* |
|                   |         | 480V AC      | YC9Z-LCU22A480* |
|                   |         | 27-38        | 24V AC          |
|                   | 110V AC |              | YC9Z-LCU38A110  |
|                   | 120V AC |              | YC9Z-LCU38A120* |
|                   | 208V AC |              | YC9Z-LCU38A208  |
|                   | 220V AC |              | YC9Z-LCU38A220  |
|                   | 240V AC |              | YC9Z-LCU38A240* |
|                   | 480V AC |              | YC9Z-LCU38A480* |
|                   | 50-80   |              | 24V AC          |
|                   |         | 110V AC      | YC9Z-LCU80A110  |
|                   |         | 120V AC      | YC9Z-LCU80A120* |
|                   |         | 208V AC      | YC9Z-LCU80A208  |
|                   |         | 220V AC      | YC9Z-LCU80A220  |
|                   |         | 240V AC      | YC9Z-LCU80A240* |
|                   |         | 480V AC      | YC9Z-LCU80A480* |

\* Standard stock coil voltages.

Switches & Pilot Lights

Signaling Lights

Relays & Sockets

Timers

Contactors

Terminal Blocks

Circuit Breakers

Specifications

General Specifications

|                                      | YC1U-9       | YC1U-11 | YC1U-16   | YC1U-18 | YC1U-27   | YC1U-32 | YC1U-38 | YC1U-50   | YC1U-65   | YC1U-80   |
|--------------------------------------|--------------|---------|-----------|---------|-----------|---------|---------|-----------|-----------|-----------|
| Contact Configuration                | 3A1a , 3A1b  |         | 3A1a1b    |         | 3A1a1b    |         |         | 3A2a2b    |           |           |
| Making Capacity (A)                  | 10xIe        |         | 10xIe     |         | 10xIe     |         |         | 10xIe     |           |           |
| Breaking Capacity (A)                | 8xIe         |         | 8xIe      |         | 8xIe      |         |         | 8xIe      |           |           |
| Switching Frequency (Operations/ Hr) | 1200         |         | 1200      |         | 1200      |         |         | 1200      |           |           |
| Electrical Life (Operations)         | 1,000,000    |         | 1,000,000 |         | 1,000,000 |         |         | 500,000   | 1,000,000 | 1,000,000 |
| Mechanical Life (Operations)         | 5,000,000    |         | 5,000,000 |         | 5,000,000 |         |         | 5,000,000 |           |           |
| Operating Temperature                | -20°C ~ 55°C |         |           |         |           |         |         |           |           |           |
| Storage Temperature                  | -40°C ~ 70°C |         |           |         |           |         |         |           |           |           |
| Weight (Kg)                          | 0.3          |         | 0.4       |         | 0.7       |         |         | 1.3       |           |           |

Note: Ie = rated operational current

Main Pole Contact Specifications

|                                      | YC1U-9            | YC1U-11 | YC1U-16           | YC1U-18 | YC1U-27           | YC1U-32           | YC1U-38           | YC1U-50           | YC1U-65               | YC1U-80             |
|--------------------------------------|-------------------|---------|-------------------|---------|-------------------|-------------------|-------------------|-------------------|-----------------------|---------------------|
| Insulation Voltage, Ui (V)           | IEC: 660 UL: 600  |         | IEC: 660 UL: 600  |         | IEC: 1000 UL: 600 |                   |                   | IEC: 660 UL: 600  |                       |                     |
| Operational Voltage, Ue (V)          | IEC: 660 UL: 600  |         | IEC: 660 UL: 600  |         | IEC: 690 UL: 600  |                   |                   | IEC: 660 UL: 600  |                       |                     |
| Thermal Current, I <sub>th</sub> (A) | IEC: 25<br>UL: 24 |         | IEC: 32<br>UL: 35 |         | IEC: 50<br>UL: 45 | IEC: 60<br>UL: 50 | IEC: 60<br>UL: 55 | IEC: 70<br>UL: 72 | IEC: 80/100<br>UL: 85 | IEC: 100<br>UL: 104 |
| Short Circuit Current Rating (KA)    | 5                 |         | 5                 |         | 5                 |                   |                   | 10                |                       |                     |
| NEMA Size Equivalent (approx.)       | 0                 | 0+      | 0+                | 1+      | 1                 | 2                 | 2                 | 2+                | 2+                    | 3+                  |

Auxiliary Contacts Specifications

|  | YC1U-9           | YC1U-11 | YC1U-16          | YC1U-18 | YC1U-27          | YC1U-32 | YC1U-38 | YC1U-50          | YC1U-65 | YC1U-80 |  |
|--|------------------|---------|------------------|---------|------------------|---------|---------|------------------|---------|---------|--|
| Contact Configuration                              | 1a or 1b         |         | 1a1b             |         | 1a1b             |         |         | 1a1b             |         |         |  |
| Insulation Voltage, Ui (V)                         | IEC: 600 UL: 600 |         | IEC: 660 UL: 600 |         | IEC: 690 UL: 600 |         |         | IEC: 660 UL: 600 |         |         |  |
| Operational Voltage, Ue (V)                        | IEC: 600 UL: 600 |         | IEC: 600 UL: 600 |         | IEC: 690 UL: 600 |         |         | IEC: 660 UL: 600 |         |         |  |
| Thermal Current, I <sub>th</sub> (A)               | AC: 10 DC: 2.5   |         |                  |         |                  |         |         |                  |         |         |  |
| Contact Rating Code Designator UL                  | A600 Q300        |         |                  |         |                  |         |         |                  |         |         |  |
| Operational Current (A)<br>IEC 60947-5-1<br>UL 508 | AC-15<br>A600    | 120V    |                  |         |                  | 6       |         |                  |         |         |  |
|  |                  | 240V    |                  |         |                  | 3       |         |                  |         |         |  |
|  |                  | 380V    |                  |         |                  | 1.9     |         |                  |         |         |  |
|  |                  | 480V    |                  |         |                  | 1.5     |         |                  |         |         |  |
|  |                  | 500V    |                  |         |                  | 1.4     |         |                  |         |         |  |
|  |                  | 600V    |                  |         |                  | 1.2     |         |                  |         |         |  |
|  | DC-13<br>Q300    | 125V    |                  |         |                  | 0.55    |         |                  |         |         |  |
|  |                  | 250V    |                  |         |                  | 0.27    |         |                  |         |         |  |

Coil Specifications

|                              | YC1U-9  | YC1U-11 | YC1U-16 | YC1U-18 | YC1U-27           | YC1U-32 | YC1U-38 | YC1U-50 | YC1U-65 | YC1U-80 |
|------------------------------|---------|---------|---------|---------|-------------------|---------|---------|---------|---------|---------|
| Pick-up Voltage              | 50-60Hz | 70%     |         | 75%     | 75%               |         |         | 75%     |         |         |
| Power Consumption, max. (VA) | Inrush  | 70      |         | 70      | 150 (cos φ = 0.7) |         |         | 280     |         |         |
|                              | Sealed  | 12      |         | 12      | 15 (cos φ = 0.3)  |         |         | 32      |         |         |
| Power Dissipation max. (W)   | 2-4     |         | 2-4     |         | 5                 |         |         | 6-7.5   |         |         |

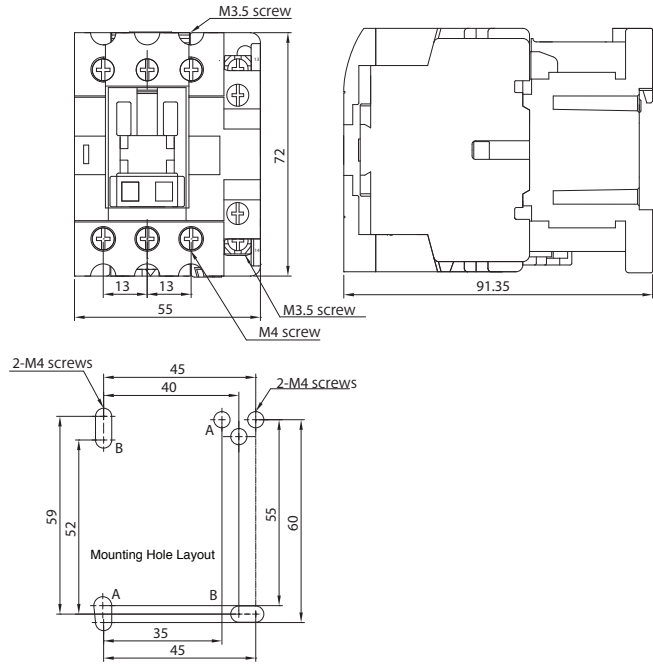
Dimensions (mm)

Contactors

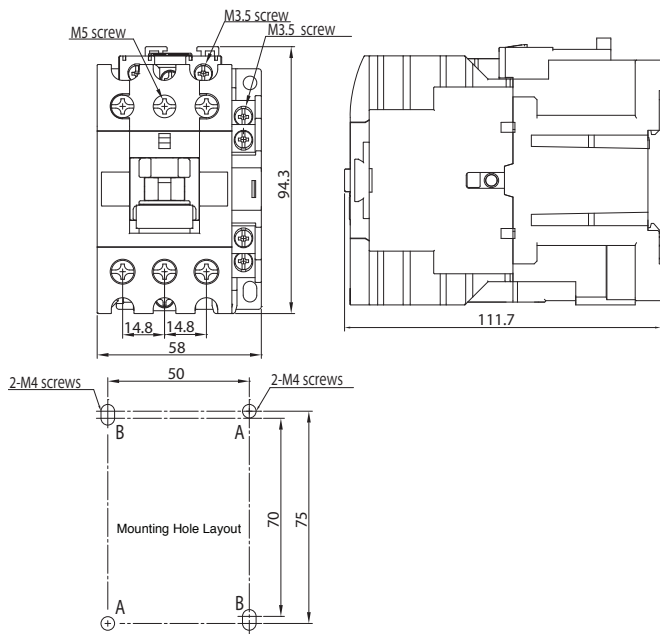
YC1U-9, YC1U-11, YC1U-16



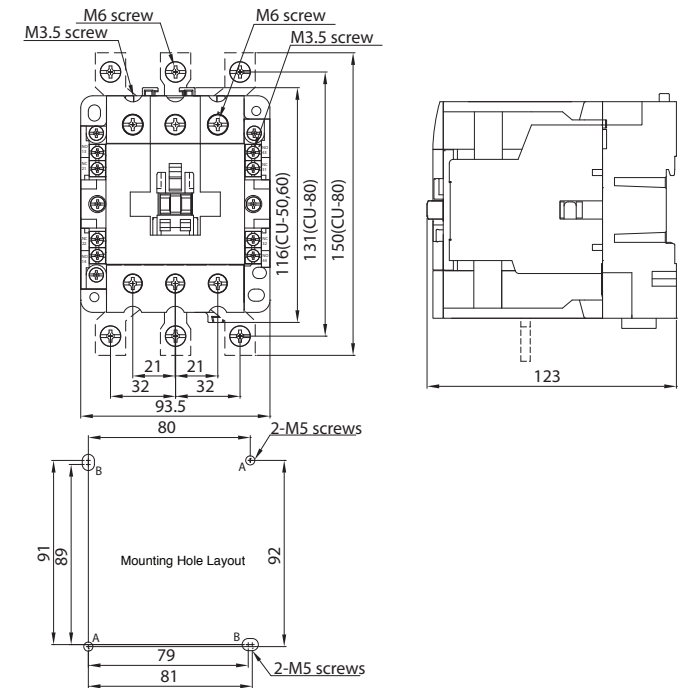
YC1U-18



YC1U-27, YC1U-32, YC1U-38



YC1U-50, YC1U-65, YC1U-80



Switches & Pilot Lights

Signaling Lights

Relays & Sockets

Timers

Contactors

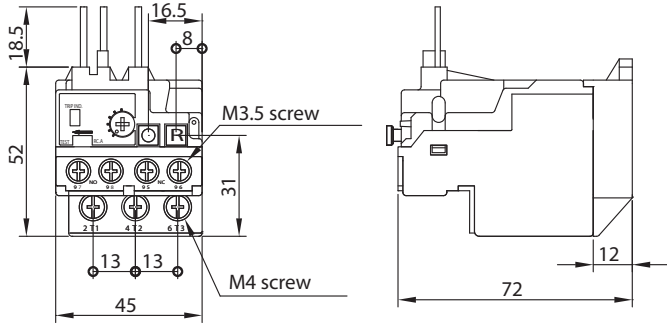
Terminal Blocks

Circuit Breakers

Dimensions (mm)

Overload Relays

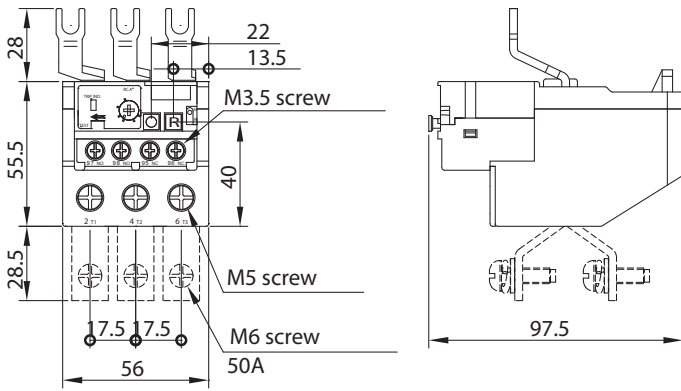
YC9Z-RHU10 (for YC1U-9, 11, 16, 18)



YC9Z-RHU10 (for YC1U-27, 32, 38, 40)

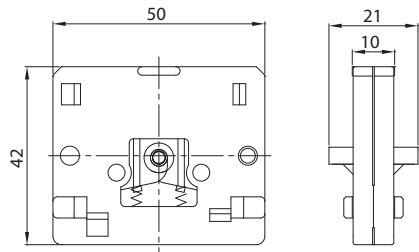


YC9Z-RHU80 (for YC1U-50, 65, 80)



Mechanical Interlocks

YC9Z-CI18 (for YC1U-9, 11, 16, 27, 32, 38)



YC9Z-CI135 (for YC1U-50, 65, 80)



Switches & Pilot Lights

Signaling Lights

Relays & Sockets

Timers

Contactors

Terminal Blocks

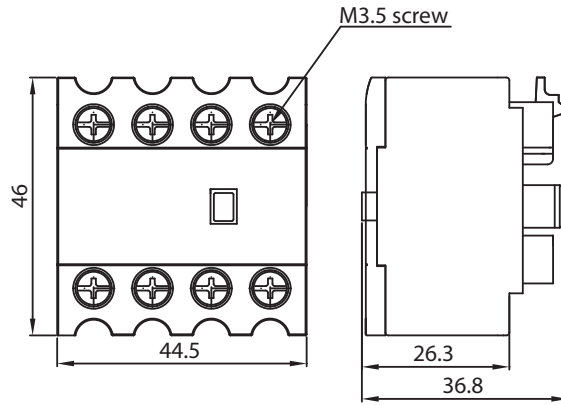
Circuit Breakers

Top Mounting Auxiliary Contacts

YC9Z-CUA2



YC9Z-CUA4



Side Mounting Auxiliary Contact

YC9Z-CNA111SR (1a1b for YC1U-9 to YC1U-38)



Electrical Diagrams

YC1U-9/11/16 (1NO Aux.)



YC1U-9/11/16 (1NC Aux.)



YC1U-18 to YC1U-38 (1NO-1NC Aux.)



YC1N Series Contactors (AC Coil)



Key Features:

- 3-Phase Contactor with 2NO & 2NC Auxillary Contacts
- Side Mount Auxiliary contact blocks
- Comply with IEC 60945, UL508, CSA C22.2 standards



Part Number Key

YC1N - 125 A120

Contactor Size\*

100, 125, 150, 180, 220, 300

Coil Voltage

A24: 24V AC, 50/60Hz  
 A120: 120V AC, 50/6-Hz  
 A240: 240V AC, 50/60Hz  
 A480: 480V AC, 50/60Hz

\*see selection table for details

Part Numbers

Selection by Horsepower Rating

|   | Rated Power (Hp) per AC3 IEC 60947-4-1 |          |          |      |          | Rated Power (Hp) per UL508 CSA C22.2 |          |          |          |          |      | Auxiliary Contact | Part Numbers | Coil Voltage  |
|---|--|----------|----------|------|----------|--------------------------------------|----------|----------|----------|----------|------|-------------------|--------------|---|
|   | 3-Phase                                |          |          |      |          | 1-Phase                              |          | 3-Phase  |          |          |      |                   |              |   |
|   | 220/240V                               | 380/400V | 415/440V | 500V | 660/690V | 110/120V                             | 220/240V | 200/208V | 230/240V | 440/480V | 575V |                   |              |   |
|  | 40                                     | 80       | 80       | 85   | 85       | 10                                   | 15       | 30       | 40       | 75       | 100  | 2NO-2NC           | YC1N-100     | +<br>A24: 24V AC<br>A120: 120V AC<br>A240: 240V AC<br>A480: 480V AC |
|   | 54                                     | 100      | 100      | 100  | 100      | -                                    | -        | 40       | 50       | 100      | 100  |                   | YC1N-125     |   |
|  | 60                                     | 110      | 110      | 125  | 136      | -                                    | -        | 50       | 75       | 125      | 125  |                   | YC1N-150     |   |
|   | 75                                     | 125      | 136      | 150  | 150      | -                                    | -        | 60       | 75       | 150      | 150  |                   | YC1N-180     |   |
|  | 85                                     | 160      | 170      | 180  | 180      | -                                    | -        | 75       | 100      | 200      | 200  |                   | YC1N-220     |   |
|   | 120                                    | 220      | 220      | 220  | 270      | -                                    | -        | 100      | 125      | 250      | 250  |                   | YC1N-300     |   |

Switches & Pilot Lights

Signaling Lights

Relays & Sockets

Timers

Contactors

Terminal Blocks

Circuit Breakers

## Selection by Amp Rating


| Rated Power (A) per AC3 IEC 60947-4-1 |          |          |      |          | Rated Power (A) per UL508 CSA C22.2 |          |          |          |          |      | Auxiliary Contact | Part Numbers | Coil Voltage |  |
|---------------------------------------|----------|----------|------|----------|-------------------------------------|----------|----------|----------|----------|------|-------------------|--------------|--------------|--|
| 3-Phase                               |          |          |      |          | 1-Phase                             |          | 3-Phase  |          |          |      |                   |              |              |  |
| 220/240V                              | 380/400V | 415/440V | 500V | 660/690V | 110/120V                            | 220/240V | 200/208V | 230/240V | 440/480V | 575V |                   |              |              |  |
| 115                                   | 115      | 105      | 93   | 75       | 100                                 | 68       | 92       | 104      | 96       | 99   | 2NO-2NC           | YC1N-100     | +            | A24: 24V AC<br>A120: 120V AC<br>A240: 240V AC<br>A480: 480V AC |
| 138                                   | 138      | 138      | 105  | 85       | —                                   | —        | 120      | 130      | 124      | 99   |                   | YC1N-125     |              |  |
| 150                                   | 147      | 138      | 129  | 107      | —                                   | —        | 150      | 154      | 156      | 125  |                   | YC1N-150     |              |  |
| 182                                   | 179      | 182      | 156  | 118      | —                                   | —        | 177      | 192      | 180      | 144  |                   | YC1N-180     |              |  |
| 225                                   | 225      | 220      | 190  | 140      | —                                   | —        | 221      | 248      | 240      | 192  |                   | YC1N-220     |              |  |
| 300                                   | 300      | 300      | 250  | 220      | —                                   | —        | 285      | 312      | 302      | 242  |                   | YC1N-300     |              |  |

## Selection by Kilowatt Rating

| Rated Power (kW) per AC3 IEC 60947-4-1 |          |          |      |          | Auxiliary Contact | Part Numbers | Coil Voltage |  |
|--|----------|----------|------|----------|-------------------|--------------|--------------|--|
| 3-Phase                                |          |          |      |          |                   |              |              |  |
| 220/240V                               | 380/400V | 415/440V | 500V | 660/690V |                   |              |              |  |
| 30                                     | 60       | 60       | 65   | 65       | 2NO-2NC           | YC1N-100     | +            | A24: 24V AC<br>A120: 120V AC<br>A240: 240V AC<br>A480: 480V AC |
| 40                                     | 75       | 75       | 75   | 75       |                   | YC1N-125     |              |  |
| 45                                     | 80       | 80       | 90   | 100      |                   | YC1N-150     |              |  |
| 55                                     | 95       | 100      | 110  | 110      |                   | YC1N-180     |              |  |
| 65                                     | 120      | 132      | 132  | 132      |                   | YC1N-220     |              |  |
| 90                                     | 160      | 160      | 160  | 220      |                   | YC1N-300     |              |  |

## Accessories

| Item           | Size     | Current Range | Part Number     |
|----------------|----------|---------------|-----------------|
| Overload Relay | 100, 125 | 65-95A        | YC9Z-RHN100A95P |
|                |          | 85-125A       | YC9Z-RHN100A125 |
|                |          | 110-160A      | YC9Z-RHN100A160 |
|                | 150      | 65-95A        | YC9Z-RHN150A95P |
|                |          | 85-125A       | YC9Z-RHN150A125 |
|                |          | 110-160A      | YC9Z-RHN150A160 |
|                | 180      | 110-160A      | YC9Z-RHN180A160 |
|                |          | 125-185A      | YC9Z-RHN180A185 |
|                | 220, 300 | 110-160A      | YC9Z-RHN220A160 |
|                |          | 125-185A      | YC9Z-RHN220A185 |

| Item   | Part Number           |          |           |
|--|-----------------------|----------|-----------|
| Mechanical Interlock          | YC9Z-CI100            |          |           |
| Side Mount Auxiliary Contact  | 1a1b<br>YC9Z-CNA111BC |          |           |
| Surge Suppressor Unit  | 120V AC               | RC       | YC9Z-SS1E |
|  |                       | VARISTOR | YC9Z-SS2E |
|  | 240V AC               | RC       | YC9Z-SS2H |
|  |                       | VARISTOR | YC9Z-SS1H |

| Item              | Contactor Size | Coil Voltage | Part Number      |                  |
|-------------------|----------------|--------------|------------------|------------------|
| Replacement Coils | 100, 125       | 24VAC        | YC9Z-LCN125A24*  |                  |
|                   |                | 110VAC       | YC9Z-LCN125A110  |                  |
|                   |                | 120VAC       | YC9Z-LCN125A120* |                  |
|                   |                | 208VAC       | YC9Z-LCN125A208  |                  |
|                   |                | 220VAC       | YC9Z-LCN125A220  |                  |
|                   |                | 240VAC       | YC9Z-LCN125A240* |                  |
|                   |                | 480VAC       | YC9Z-LCN125A480* |                  |
|                   |                | 150, 180     | 24VAC            | YC9Z-LCN180A24*  |
|                   |                |              | 110VAC           | YC9Z-LCN180A110  |
|                   |                |              | 120VAC           | YC9Z-LCN180A120* |
|                   |                |              | 208VAC           | YC9Z-LCN180A208  |
|                   |                |              | 220VAC           | YC9Z-LCN180A220  |
|                   | 240VAC         |              | YC9Z-LCN180A240* |                  |
|                   | 480VAC         |              | YC9Z-LCN180A480* |                  |
|                   | 220, 300       |              | 24VAC            | YC9Z-LCN300A24*  |
|                   |                |              | 110VAC           | YC9Z-LCN300A110  |
|                   |                |              | 120VAC           | YC9Z-LCN300A120* |
|                   |                |              | 208VAC           | YC9Z-LCN300A208  |
|                   |                |              | 220VAC           | YC9Z-LCN300A220  |
|                   |                | 240VAC       | YC9Z-LCN300A240* |                  |
|                   |                | 480VAC       | YC9Z-LCN300A480* |                  |

\* Standard stock coil voltages.

Switches & Pilot Lights

Signaling Lights

Relays & Sockets

Timers

Contactors

Terminal Blocks

Circuit Breakers

Specifications

General Specifications

|                                      | YC1N-100     | YC1N-125 | YC1N-150 | YC1N-180 | YC1N-220 | YC1N-300 |
|--------------------------------------|--------------|----------|----------|----------|----------|----------|
| Contact Configuration                | 3A2a2b       |          |          |          |          |          |
| Making Capacity (A)                  | 10xIe        |          |          |          |          |          |
| Breaking Capacity (A)                | 8xIe         |          |          |          |          |          |
| Switching Frequency (Operations/ Hr) | 1,200        |          |          |          |          |          |
| Electrical Life (Operations)         | 1,000,000    |          |          |          |          |          |
| Mechanical Life (Operations)         | 5,000,000    |          |          |          |          |          |
| Operating Temperature                | -20°C ~ 55°C |          |          |          |          |          |
| Storage Temperature                  | -40°C ~ 70°C |          |          |          |          |          |
| Weight (Kg)                          | 2.2          |          | 4.1      |          | 6.7      |          |

Note: Ie = rated operational current

Main Pole Contact Specifications

|                                      | YC1N-100          | YC1N-125    | YC1N-150         | YC1N-180    | YC1N-220         | YC1N-300    |
|--------------------------------------|-------------------|-------------|------------------|-------------|------------------|-------------|
| Insulation Voltage, Ui (V)           | IEC: 1000 UL: 600 |             | IEC: 1000 UL:600 |             | IEC: 1000 UL:600 |             |
| Operational Voltage, Ue (V)          | IEC: 690 UL:600   |             | IEC: 690 UL:600  |             | IEC: 690 UL:600  |             |
| Thermal Current, I <sub>th</sub> (A) | IEC: 135 UL: 130  | IEC/UL: 150 | IEC/UL: 200      | IEC/UL: 240 | IEC/UL: 260      | IEC/UL: 350 |
| Short Circuit Current Rating (KA)    | 10                |             | 10               |             | 18               |             |
| NEMA Size Equivalent (approx.)       | 3                 | 4           | 4                | 4           | 4                | 5           |

Auxiliary Contacts Specifications

|  | YC1N-100         | YC1N-125 | YC1N-150 | YC1N-180 | YC1N-220 | YC1N-300 |
|--|------------------|----------|----------|----------|----------|----------|
| Insulation Voltage, Ui (V)                         | IEC: 690 UL:600  |          |          |          |          |          |
| Operational Voltage, Ue (V)                        | IEC: 690 UL: 600 |          |          |          |          |          |
| Thermal Current, I <sub>th</sub> (A)               | AC: 10 DC: 2.5   |          |          |          |          |          |
| Contact Rating Code Designator UL                  | A600 Q300        |          |          |          |          |          |
| Operational Current (A)<br>IEC 60947-5-1<br>UL 508 | AC-15<br>A600    | 120V     | 6        |          |          |          |
|  |                  | 240V     | 3        |          |          |          |
|  |                  | 380V     | 1.9      |          |          |          |
|  |                  | 480V     | 1.5      |          |          |          |
|  |                  | 500V     | 1.4      |          |          |          |
|  |                  | 600V     | 1.2      |          |          |          |
|  | DC-13<br>Q300    | 125V     | 0.55     |          |          |          |
|  |                  | 250V     | 0.27     |          |          |          |

Coil Specifications

|                              |         | YC1N-100/YC1N-125 | YC1N-150/YC1N-180 | YC1N-220/YC1N-300 |
|------------------------------|---------|-------------------|-------------------|-------------------|
| Pick-up Voltage              | 50/60Hz | 75%               | 75%               | 75%               |
| Drop-out Voltage             |         | 60%               | 45%               | 45%               |
| Power Consumption, max. (VA) | Inrush  | 560               | 700               | 300               |
|                              | Sealed  | 63                | 88                | 63                |
| Power Dissipation max. (W)   |         | 6-11.6            | 25-35             | 9-15              |

Switches & Pilot Lights

Signaling Lights

Relays & Sockets

Timers

Contactors

Terminal Blocks

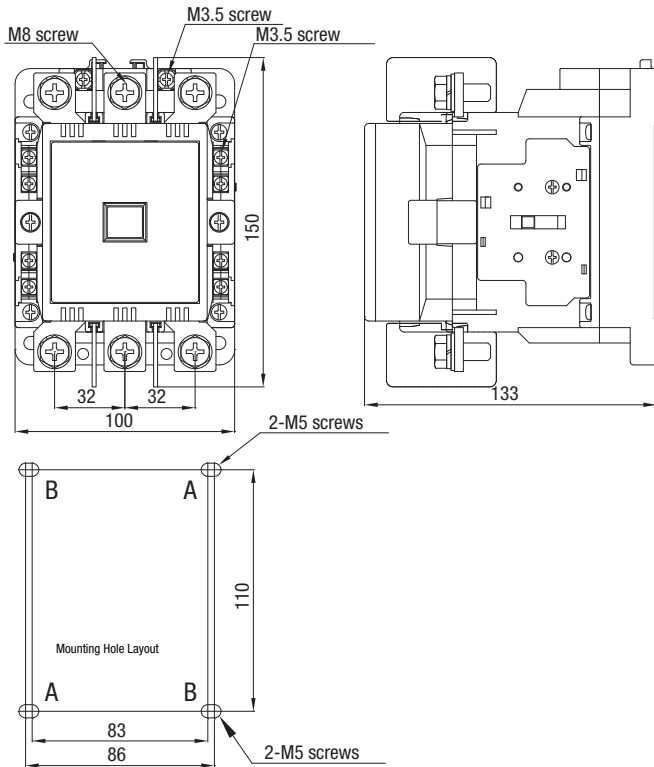
Circuit Breakers



## Dimensions (mm)

### Contactors

#### YC1N-100, YC1N-125



#### YC1N-150, YC1N-180



#### YC1N-220, YC1N-300



Switches & Pilot Lights  
 Signaling Lights  
 Relays & Sockets  
 Timers

Contactors

Terminal Blocks

Circuit Breakers