

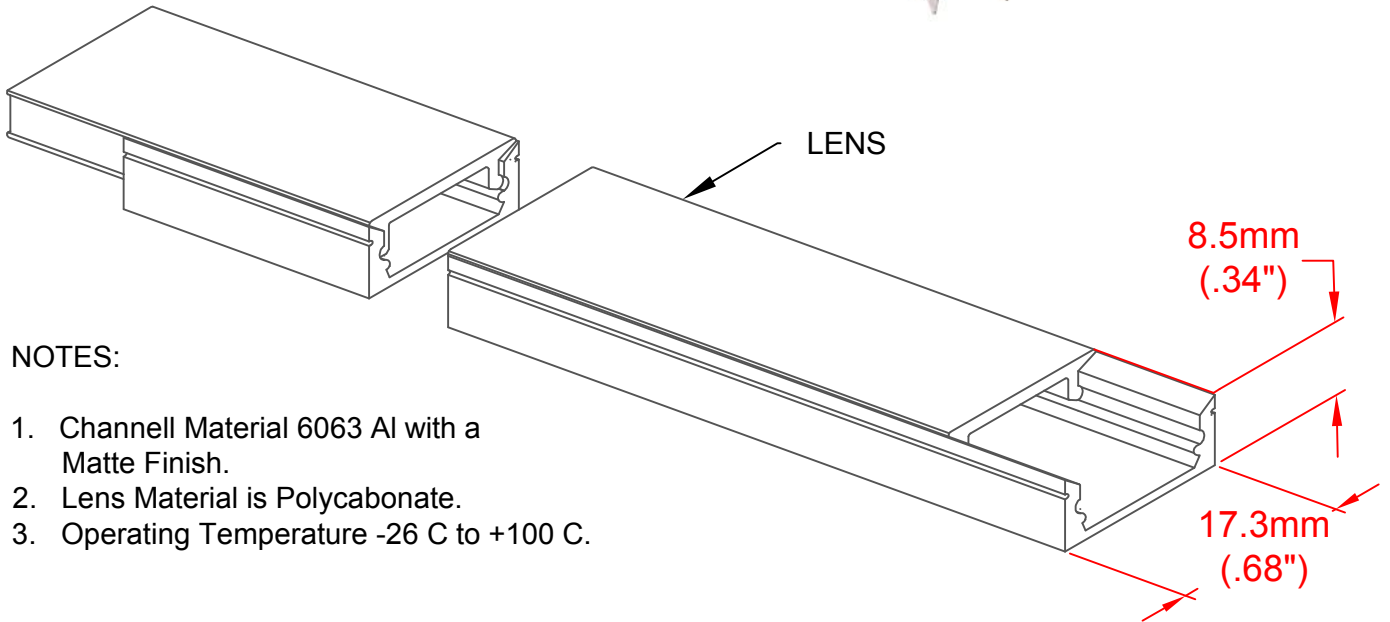
ALUMINUM LED CHANNEL

FEATURES:

Compatible with all 8,10, and 12mm wide LED flex ribbons.

Each Channel includes 2 End Caps.

Two High Temperature Lens Options:
Milk White or Semi Clear



NOTES:

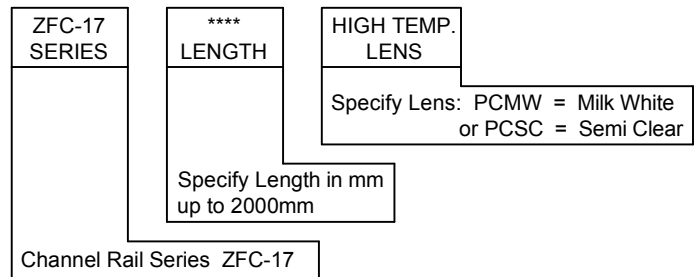
1. Channel Material 6063 Al with a Matte Finish.
2. Lens Material is Polycarbonate.
3. Operating Temperature -26 C to +100 C.

OPTIONAL ACCESSORIES
(Order Separate)



MOUNTING CLIP
JKL Part No.:
ZRC-17-MC

CHANNEL LENGTH AND LENS ORDERING GUIDE



JKL Part Number Example: ZFC-171000-PCMW
Channel Series with 1 Meter (1000mm) Length and High Temperature Polycarbonate Milk White Lens.

<p>THIRD ANGLE PROJECTION</p>			<p>METRIC</p> <p>DIMENSIONS ARE IN mm (INCHES)</p> <p>TOLERANCE UNLESS OTHERWISE SPECIFIED</p> <p>1 PL +/- REF.</p> <p>2 PL +/- REF.</p> <p>ANGLE +/-</p>		<p>JKL COMPONENTS CORPORATION</p> <p>TITLE</p> <p>ALUMINUM LED CHANNEL</p>														
<p>CHANGE FEATURES & OPT. ACCESS.</p> <p>RELEASE</p>			<p>DRAWN BY</p> <p>L. WENGSTROM</p>		<p>APPV'D BY</p> <p>S.C.</p>		<p>DATE</p> <p>8/5/15</p>		<p>SIZE</p> <p>A</p>		<p>FSCM NO.</p> <p>55335</p>		<p>DRAWING NO.</p> <p>ZFC-17-PC MULTI</p>						
<p>REV. NO.</p>			<p>DESCRIPTION/ECO NUMBER</p>			<p>APPV'D DATE</p>			<p>SCALE</p> <p>NONE</p>			<p>RELEASED DATE</p> <p>6/12/15</p>		<p>REVISION DATE</p> <p>8/5/15</p>		<p>REV. NO.</p> <p>A</p>		<p>SHEET</p> <p>1 OF 1</p>	
<p>- CAD DRAWING -</p> <p>MANUAL REVISIONS NOT PERMITTED</p>																			