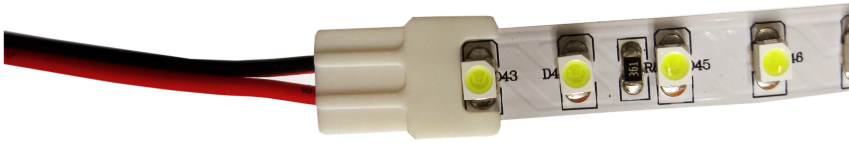
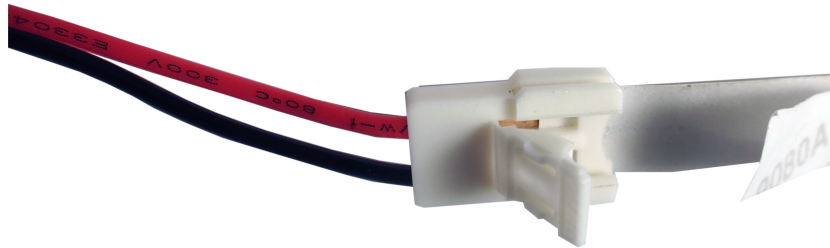
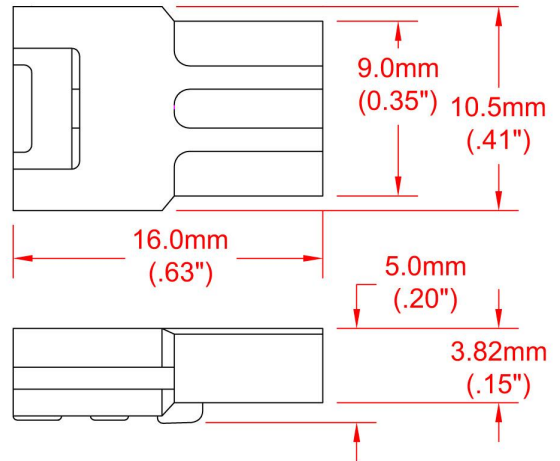


LED FLEX RIBBON INPUT CONNECTOR



FEATURES:

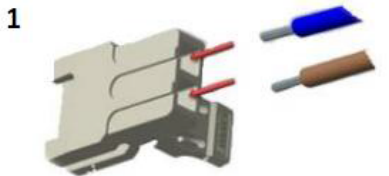
- For use with 8mm wide flex ribbon
- No soldering required
- Notched design prevents interference with first/last LEDs.
- Suitable for use with high density LED flex ribbon.
- Low profile design fits into most aluminum channels or extrusions



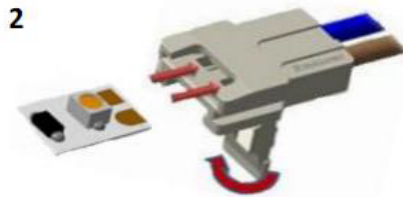
BACK VIEW SHOWING OPEN CONNECTOR LATCH

USER GUIDELINES:

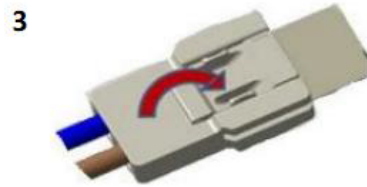
- Wire Requirements: 20-22 AWG wire, 5mm stripped and tinned.
- Peel back a small section of protective paper to insert LED flex ribbon into the connector cavity.
- 5 Amp maximum current.



1 - Insert stripped & tinned wires (20-22 AWG) into cavities. Be sure to push in as far as possible. Gently pull back on wires to ensure that wires are locked into place.



2 - Insert LED flex ribbon, paying attention to ensure same polarity with wires. Notice that the LED should be aligned with the notched area of the connector and connector latch is on the bottom.



3 - Latch the connector door until a "click" is heard.

JKL PART NO.: ZFS-CHXB-8

<p>THIRD ANGLE PROJECTION</p>			<p>METRIC</p> <p>DIMENSIONS ARE IN mm (INCHES)</p> <p>TOLERANCE UNLESS OTHERWISE SPECIFIED</p> <p>1 PL +/- REF.</p> <p>2 PL +/- REF.</p> <p>ANGLE +/-</p>		<p>JKL COMPONENTS CORPORATION</p>					
DRAWN BY			APPVD BY		DATE	SIZE	FSCM NO.	DRAWING NO.		
L. WENGSTROM			S.C.		3/30/15	A	55335	ZFS-CHXB-8		
RELEASE			3/30/15		SCALE		RELEASED DATE	REVISION DATE	REV. NO.	SHEET
- CAD DRAWING -			MANUAL REVISIONS NOT PERMITTED		NONE		3/30/15			1 OF 1