

Brief Description

The ZIOL2411 is a line driver/level shifter IC that provides two independent HV* I/O channels with a wide range of configurable system features. It addresses the physical layer of sensor/actuator systems in factory automation applications and is specifically designed to support the communication standard IO-Link[†].

The output drivers are push-pull stages, which in tandem mode reach an R_{DSon} of less than 3.3Ω at all operational temperatures.

The configuration is stored in an on-chip EEPROM and automatically loaded into the ZIOL2411's control register during power up. The ZIOL2411 also provides status information, such as overload and over-temperature conditions. An integrated SPI interface supports access to configuration and status registers.

The ZIOL2411 is fabricated in a powerful CMOS mixed signal technology that allows supply voltages up to 40V. The EEPROM read/write functionality is guaranteed within the entire operating temperature range in combination with a low-voltage core supply of 3.3V.

Features

- Configurable output current limits 56mA to 410mA per channel
- Standard cable driver/ physical layer transceiver for IO-Link (master and device)
- Slew-rate controlled drivers
- Wide range for configurable feature set, which is automatically loaded after power-on reset
- IO-Link-specific WURQ[‡] detection
- On chip registers and EEPROM for system configuration and status information
- SPI interface for accessing on-chip registers and EEPROM
- Digital interface: 3.3V output, 5V tolerant inputs
- IC temperature monitoring/diagnosis
- Over-current and over-temperature indication

Benefits

- Configurable feature set
- Nonvolatile storage of system configuration
- Excellent electromagnetic compatibility (EMC) performance due to adjustable output slew rate control
- Low R_{DSon} of 3.3Ω in tandem mode
- Programmable limitation of driver output current
- EEPROM read/write functionality within entire operating temperature range
- Space saving $4 \times 4 \text{ mm}^2$ 24-pin QFN

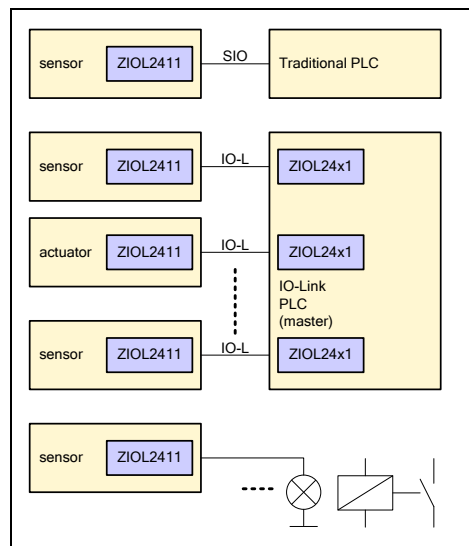
Available Support

- Evaluation Kits
- Application Notes

Physical Characteristics

- Operation temperature: -40 to $+85 \text{ }^\circ\text{C}$
- Supply voltage 8.0 to 36.0 V
- RoHS-compliant QFN-24 package

ZIOL2411 Application Circuits



* High voltage (maximum power supply / signal swing is 36 volt)

[†] IDT is a member of the IO-Link Consortium: www.io-link.com

[‡] IO-Link device wake-up

Typical Applications

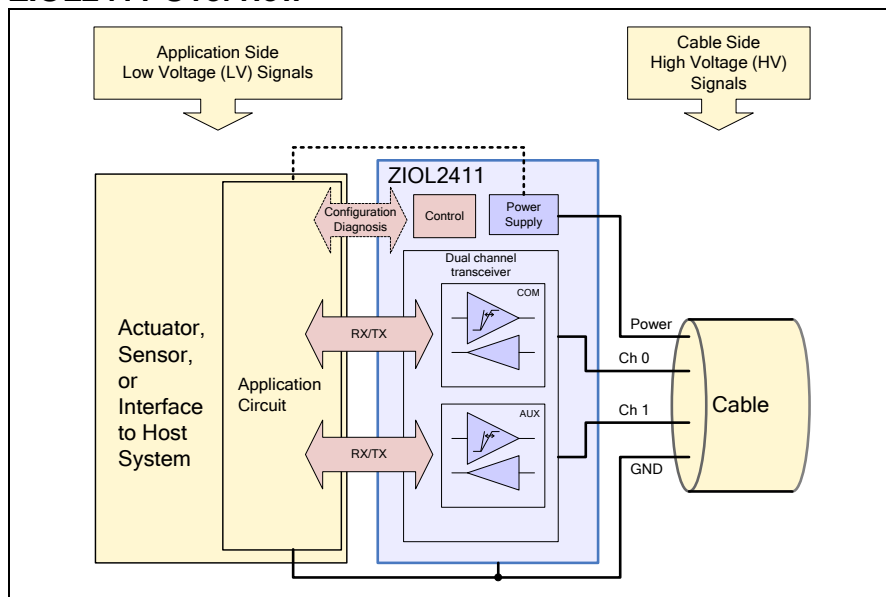
In field applications, the ZIOL2411 acts as a universal cable driver. The ZIOL2411 can support IO-Link communications as a physical-layer transceiver (PHY) for IO-Link devices and IO-Link masters.

Common applications:

- 24V line driver/level shifter
- IO-Link-compliant devices
- IO-Link-compliant masters

See the ZIOL2xxx IC Family Data Sheet for detailed technical information.

ZIOL2411 Overview



Ordering Information

Product Sales Code	Description	Package
ZIOL2411BI1R	Dual Channel IO-Link compliant HV Line Driver, 4x4mm QFN24	13" reel
ZIOL2411BI1W	Dual Channel IO-Link compliant HV Line Driver, 4x4mm QFN24	7" reel
IO-Link Lab Kit V2.0 #3600100858	ZIOL2401 Lab Kit for detailed laboratory evaluation: configurable IC/Communication/Controller Board, USB cable; software is available for download at www.IDT.com with a free customer login (see data sheet for details).	
ZIOL2401 Starter-Kit #3600100369	ZIOL2401 Starter Kit for product demonstration: USB stick, extension board, downloadable software	

Revision	Date	Description
2.20	August 12, 2015	Updates for order codes. Update for template and contact information. Update for information about software download. Minor edits for clarity.
	January 28, 2016	Changed to IDT branding.