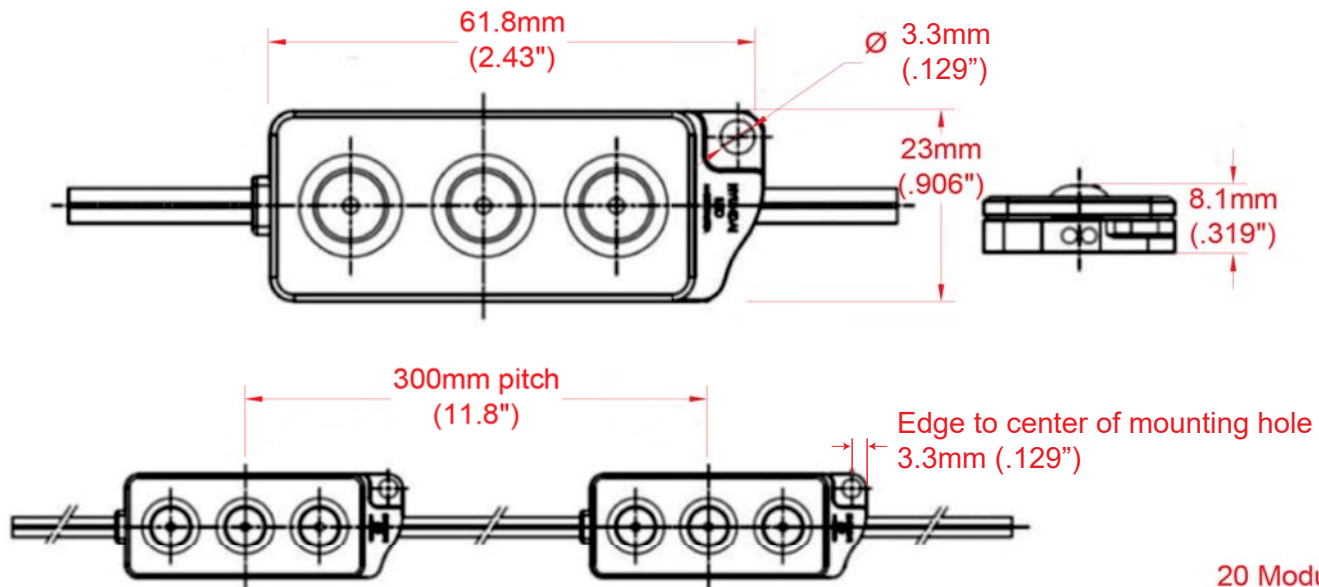


# 165° WIDE BEAM LED CHANNEL for MEDIUM or LARGE SIGN BOXES

## FEATURES

- 24V DC
- IP67
- 50,000 Life Hours/5 Year Warranty
- 115 lm/W High Efficacy
- Operating Temperature -20°C to +50°C
- 165° Wide Beam
- 20 Modules Per Strand



20 Modules =  
6 Meters (19.7')

### NOTES:

1. Mounting can be accomplished with double sided tape that is on the backside of modules. Screw holes are also present.
2. Wire with Red Stripe is Positive Input.
3. Use no more than 20 modules in series.
4. Take care to prevent exposed wire on the ends.



JKL Part Number	Input Voltage	Power per Module	CCT	Beam Angle	CRI	Lumen Flux Per Module	Lumen Efficacy	No. Modules Per a Pack
ZM-359-CW	24V DC	1.6 W	6500K	165°	Ra80	185 lm	115 lm/W	20/6 Meters

		 THIRD ANGLE PROJECTION		DIMENSIONS ARE IN mm (INCHES) TOLERANCE UNLESS OTHERWISE SPECIFIED 1 PL +/- REF. 2 PL +/- REF. ANGLE +/-		<b>JKL COMPONENTS CORPORATION</b>											
						TITLE <b>WIDE BEAM LED CHANNEL MODULE</b>											
A ADDED DIMENSIONS RELEASED		3/8/22 9/15/19		DRAWN BY L. WENGSTROM		APP'VD BY DATE S.C. 9/15/19		SIZE <b>A</b>		FSCM NO. <b>55335</b>		DRAWING NO. <b>ZM-359-CW</b>					
REV. NO.		DESCRIPTION/ECO NI IMRFR		APP'VD DATE		- CAD DRAWING - MANUAL REVISIONS NOT PERMITTED		SCALE NONE		RELEASED DATE 9/15/19		REVISION DATE 3/8/2022		REV. NO. <b>A</b>		SHEET 1 OF 1	