

Contents

1	Brief Description	2
2	Electrical Characteristics	3
2.1.	Absolute Maximum Ratings	3
2.2.	Operating Conditions	4
2.3.	Electrical Parameters	5
2.3.1.	Supply Current and System Operation Conditions	5
2.3.2.	Analog Front-End Characteristics	5
2.3.3.	Temperature Measurement	5
2.3.4.	Sensor Diagnostics	6
2.3.5.	A2D Conversion	6
2.3.6.	DAC and Analog Output (AOUT Pin).....	6
2.3.7.	System Response	7
2.4.	Interface Characteristics and Nonvolatile Memory	8
2.4.1.	I ² C™ Interface	8
2.4.2.	ZACwire™ One-Wire Interface (OWI at AOUT pin).....	8
2.4.3.	Nonvolatile Memory (NVM).....	9
3	ESD Protection and EMC Specification	10
3.1.	ESD Protection	10
3.2.	Latch-Up Immunity	10
3.3.	Electromagnetic Emission	10
3.4.	Conducted Susceptibility (DPI).....	10
4	Reliability and RoHS Conformity	11
5	Glossary	11
6	Document Revision History	12

List of Figures

Figure 1.1	ZSSC4151 Block Diagram.....	2
------------	-----------------------------	---

List of Tables

Table 2.1	Absolute Maximum Ratings	3
Table 2.2	Operating Conditions	4
Table 2.3	Electrical Parameters.....	5
Table 2.4	Interface Characteristics and Nonvolatile Memory	8
Table 3.1	Conducted Susceptibility (DPI) Tests	10

1 Brief Description

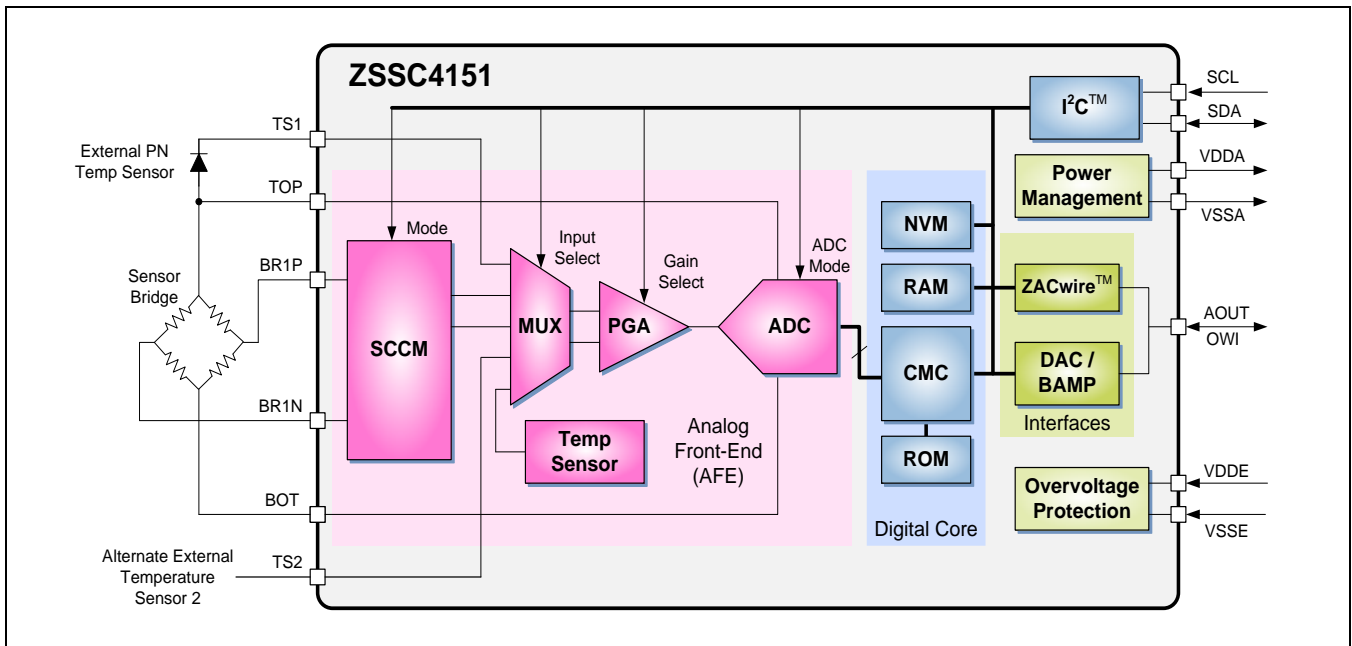
The ZSSC4151 sensor signal conditioner (SSC) is a CMOS integrated circuit for highly accurate amplification and sensor-specific correction of bridge sensor signals. Digital compensation of sensor offset, sensitivity, temperature drift, and non-linearity is accomplished via an internal 16-bit RISC microcontroller running a correction algorithm with calibration coefficients stored in an EEPROM.

The ZSSC4151 is adjustable to nearly all bridge sensor types. Measured values are provided at the analog voltage output and at the digital I²C™* or ZACwire™ interface, also referred to as the One-Wire Interface (OWI). The digital interfaces can be used for a simple PC-controlled calibration procedure in order to program a set of calibration coefficients into an on-chip EEPROM. The specific sensor and the ZSSC4151 can be quickly calibrated together. The ZSSC4151 and the calibration equipment communicate digitally, so the noise sensitivity is greatly reduced. Digital calibration helps keep assembly cost low as no trimming by external devices or lasers is needed.

The ZSSC4151 is optimized for automotive environments by overvoltage and reverse-polarity protection circuitry, excellent electromagnetic compatibility, full automotive temperature range, and multiple diagnostic features.

Figure 1.1 provides a block diagram of the ZSSC4151. Refer to section 5 for definitions of abbreviations.

Figure 1.1 ZSSC4151 Block Diagram



* I²C™ is a trademark of NXP.

2 Electrical Characteristics

Important note: The *absolute maximum ratings* given in section 2.1 are stress ratings only. The ZSSC4151 might not function or be operable above the *recommended operating conditions*. Stresses exceeding the *absolute maximum ratings* might also damage the device. In addition, extended exposure to stresses above the *recommended operating conditions* might affect device reliability. IDT does not recommend designing to the specifications given under “Absolute Maximum Ratings.”

Important note: The *operating conditions* given in section 2.2 set the conditions over which IDT specifies device operation. These are the conditions that the application circuit should provide to the device for it to function as intended. Unless otherwise noted, the limits for parameters that appear in the *operating conditions* section are used as test conditions for the limits given in the *electrical characteristics* (section 2.3), *operating conditions*, and *interface characteristics and nonvolatile memory* sections.

2.1. Absolute Maximum Ratings

Table 2.1 Absolute Maximum Ratings

No.	Parameter	Symbol	Conditions	Min	Max	Unit
2.1.1	Supply voltage	VDDE		-40	40	VDC
2.1.2	Voltage at AOUT pin	V _{AOUT}		-40	40	VDC
2.1.3	Analog supply voltage	VDDA		-0.3	6.5	VDC
2.1.4	Digital supply voltage	VDD		-0.3	1.98	VDC
2.1.5	Voltage at all other pins	V _{PIN}		-0.3	VDDA +0.3	V
2.1.6	Storage temperature	T _{STG}		-55	160	°C

2.2. Operating Conditions

All voltages in this section are relative to VSSA.

Table 2.2 Operating Conditions

Note: See important notes at the end of the table.

No.	Parameter	Symbol	Conditions	Min	Typical	Max	Unit
2.2.1	Supply voltage	VDDE	To VSSE	4.5	5	5.5	V
		VDDA	To VSSA VDDE minus drop through protection switch	(VDDE – 0.1)		VDDE	V
2.2.2	Junction temperature	T _{TQE}	Extended Temperature Range (TQE)	-40		150	°C
		T _{AMB_TQA}	Advanced-Performance Temperature Range (TQA)	-40		125	°C
		T _{AMB_TQI}	Best-Performance Temperature Range (TQI)	-25		85	°C
2.2.3	Bridge resistance ^{1), 2)}	R _{BR}		2		10	kΩ
		R _{BR_10-90}	Output range 10-90%	1		15	kΩ

1) No measurement in mass production; parameter is guaranteed by design and/or quality observation.
2) R_{BR} greater than the maximum limit results in higher noise.

2.3. Electrical Parameters

All parameter values in this section are valid under the operating conditions specified in section 2.2. All voltages referenced to VSSA.

Note: All parameters measured/validated for $r_{ADC} = 14$ -bit; segmentation of 1st and 2nd ADC stage = 8/6; $f_{OSC} = 8$ MHz; analog gain = ~ 100 ; T_{AMB_TQE} (see specification 2.2.2).

Table 2.3 Electrical Parameters

Note: See important table notes at the end of the table (page 7).

No.	Parameter	Symbol	Conditions	Min	Typ	Max	Unit
2.3.1. Supply Current and System Operation Conditions							
2.3.1.1	Supply current ¹⁾	I_S	Oscillator adjusted (typical $f_{OSC} = 8$ MHz).		5.5	7	mA
2.3.1.2	Sensor bridge supply voltage	V_{SENS}	$V_{SENS} = V_{TOP} - V_{BOT}$ at $R_{BR} \geq 2k\Omega$	0.9		1	VDDA
2.3.1.3	Oscillator frequency ²⁾	f_{OSC}		7.2	8	8.8	MHz
2.3.1.4	Oscillator frequency temperature coefficient	TC_{OSC}		-200		200	ppm/K
2.3.2. Analog Front-End Characteristics							
2.3.2.1	Input span	V_{IN_SPAN}	Analog gain = 1 to 200	1		800	mV/V
2.3.2.2	Common mode input range	V_{IN_CM}	Depends on gain adjustment	0.25		0.75	V_{SENS}
2.3.2.3	External capacitance at input	C_{IN_EXT}	Capacitance at pins BR1P and BR1N to VSSA	0		12	nF
2.3.2.4	Input leakage current ³⁾	I_{IN_leak}		-15		15	nA
2.3.3. Temperature Measurement							
2.3.3.1	PTAT internal temperature sensitivity	ST_{TSI}	Raw values, without conditioning calculation Analog gain setting= 6	20			LSB ₁₄ /K
2.3.3.2	External temperature diode channel gain	A_{TSE_D}		10			LSB ₁₄ /mV
2.3.3.3	External temperature diode bias current	I_{TSE_D}		10	20	40	μ A
2.3.3.4	External temperature diode input range ³⁾	V_{TSE_D}	Relative to V_{TOP}	-1		-0.2	V

No.	Parameter	Symbol	Conditions	Min	Typ	Max	Unit
2.3.3.5	External RTD channel gain	ATSE_RTD		10			LSB/mV
2.3.3.6	External RTD input range ³⁾	VTSE_RTD	Relative to VDDA	-2		-0.2	V
2.3.4. Sensor Diagnostics							
2.3.4.1	Sensor connection loss threshold	R _{SCC_open}		100			kΩ
2.3.4.2	Sensor short threshold to BOT or TOP pin	R _{SCC_SH_BT}				50	Ω
2.3.4.3	Sensor short threshold between inputs	R _{SCC_SH_IN}				150	Ω
2.3.5. A2D Conversion							
2.3.5.1	ADC resolution ³⁾	r _{ADC}	Selection: 12, 14, 16 or 18 bit	12		18	Bit
2.3.5.2	DNL ³⁾	DNL _{ADC}	Best fit; overall AFE; V _{ADC_IN} according to 2.3.6.4.			0.95	LSB
2.3.5.3	INL TQA temperature range (specified in 2.2.2) ³⁾	INL _{ADC_TQA}	Best fit			4	LSB
2.3.5.4	INL TQE temperature range (specified in 2.2.2)	INL _{ADC_TQE}	At 14-bit resolution			8	LSB
2.3.5.5	ADC input range	V _{ADC_IN}		0.1		0.9	V _{SENS}
2.3.6. DAC and Analog Output (AOUT Pin)							
2.3.6.1	DAC resolution	r _{DAC}	Analog output		12		Bit
2.3.6.2	Output current sink/source	I _{OUT}	V _{AOUT} : 5-95%, R _{LOAD} ≥ 5kΩ			2.5	mA
			V _{AOUT} : 10-90%, R _{LOAD} ≥ 1kΩ			5	mA
2.3.6.3	Short-circuit current (AOUT to VSSE or VDDE)	I _{OUT_max}	Short to VSSE or VDDE	-25		25	mA
2.3.6.4	Addressable output range	V _{R_OUT}		0.01		0.99	VDDE
2.3.6.5	Load capacitance	C _{LOAD}	Defined for best EMC performance	4	10	150	nF
2.3.6.6	Output slew rate	SR _{OUT}	C _{LOAD} < 50nF	0.1			V/μs
2.3.6.7	Clipping levels	LowLim	Configurable 8-bit value stored in NVM	0		25	%VDDE
		UppLim	Configurable 8-bit value stored in NVM	75		100	%VDDE
2.3.6.8	Clipping adjustment step					0.1	%VDDE
2.3.6.9	Output resistance in Diagnostic Mode	R _{OUT_DIA}	Diagnostic Range: 4% to 96%, R _{LOAD} ≥ 5kΩ 8% to 92%, R _{LOAD} ≥ 1kΩ			80	Ω

No.	Parameter	Symbol	Conditions	Min	Typ	Max	Unit
2.3.6.10	DNL	DNL _{OUT}	r _{DAC} =12 bit	-1.5		1.5	LSB
2.3.6.11	INL TQA temperature range (specified in 2.2.2) ³⁾	INL _{OUT}	Best fit, r _{DAC} =12-Bit	-5		5	LSB
2.3.6.12	INL TQE temperature range (specified in 2.2.2)	INL _{OUT}	Best fit, r _{DAC} =12-Bit	-8		8	LSB
2.3.6.13	Output leakage current at 125°C	I _{LEAK_OUT}	In the event of power or ground loss	-12		12	μA
2.3.6.14	Output leakage current at 150°C	I _{LEAK_OUT}	In the event of power or ground loss	-20		20	μA
2.3.7. System Response							
2.3.7.1	Startup time ^{3), 4)} (time to first valid output after power-on)	t _{STARTUP}	f _{OSC} = 8MHz; ADC: 14-bit and 2 nd order conversion			5	ms
2.3.7.2	Response time ^{3) 4) 5)}	t _{RESPONSE}	100% input step, excluding transmission time			1.1	ms
2.3.7.3	Bandwidth ³⁾		In comparison to analog signal conditioners; 66% jump		1		kHz
2.3.7.4	Analog output noise peak-to-peak ³⁾	V _{NOISE,PP}	DAC and output buffer only; bandwidth ≤ 10kHz			10	mV
2.3.7.5	Analog output noise RMS ³⁾	V _{NOISE,RMS}	DAC and output buffer only; bandwidth ≤ 10kHz			3	mV
2.3.7.6	Ratiometricity error ³⁾	RE _{OUT_5}	Maximum error of VDDE range = 4.5V to 5.5V	-1000		1000	ppm
2.3.7.7	Overall error ⁶⁾	F _{ALL}	TQA temperature range (specified in 2.2.2)		0.35		% FSO
			TQE temperature range (specified in 2.2.2)		0.5		
1) Excluding bridge supply current and excluding output current at AOUT pin. 2) Oscillator frequency can be trimmed via a setting in nonvolatile memory (NVM). 3) No measurement in mass production; parameter is guaranteed by design and/or quality observation. 4) No bridge settling included in timing. 5) Dependent on the configuration. The specified limit is valid only for ADC resolutions ≤15 bits. 6) FSO: full-scale output. No sensor-caused effects included in overall error. ADC input range from 10% to 90% of V _{SENS} ; DAC from 5% to 95% of output range.							

2.4. Interface Characteristics and Nonvolatile Memory

Table 2.4 Interface Characteristics and Nonvolatile Memory

Note: See important table notes at the end of the table.

No.	Parameter	Symbol	Conditions	Min	Typ	Max	Unit
2.4.1. I²C™ Interface							
2.4.1.1	I ² C™ voltage level HIGH ¹⁾	V _{I2C_HIGH}		0.5			VDDA
2.4.1.2	I ² C™ voltage level LOW ¹⁾	V _{I2C_LOW}				0.2	VDDA
2.4.1.3	Slave output level LOW ¹⁾	V _{I2C_LOW_OUT}	Open drain, I _{OL} < 4mA			0.1	VDDA
2.4.1.4	SDA load capacitance ¹⁾	C _{I2C_SDA}				400	pF
2.4.1.5	SCL clock frequency ¹⁾	f _{I2C}				400	kHz
2.4.1.6	Internal pull-up resistor ¹⁾	R _{I2C_PULLUP}		25		100	kΩ
2.4.2. ZACwire™ One-Wire Interface (OWI at AOUT pin)							
2.4.2.1	OWI voltage level HIGH ¹⁾	V _{OWI_IN_H}	Master to slave	0.75			VDDE
2.4.2.2	OWI voltage level LOW ¹⁾	V _{OWI_IN_L}	Master to slave			0.2	VDDE
2.4.2.3	Slave output level LOW ¹⁾	V _{OWI_OUT_L}	Open drain, I _{OL} ≤ 2mA			0.1	VDDE
2.4.2.4	Start window ¹⁾	t _{OWI_STARTWIN}		100		300	ms
2.4.2.5	Bus free time	t _{OWI_IDLE}	Between stop and next start	25			μs
2.4.2.6	Hold time start condition	t _{OWI_START}	Valid minimum f _{clk}	25			μs
2.4.2.7	Bit time	t _{OWI_BIT}	Maximum range	20		8000	μs
			Typical operating range	40		4000	μs
2.4.2.8	Duty ratio bit '0'	t _{OWI_0}		0.125	0.25	0.375	t _{OWI_BIT}
2.4.2.9	Duty ratio bit '1'	t _{OWI_1}		0.625	0.75	0.875	t _{OWI_BIT}
2.4.2.10	Hold time stop condition	t _{OWI_STOP}	t _{OWI_BIT_L} is the bit time of the last valid bit	2			t _{OWI_BIT_L}
2.4.2.11	Bit period deviation	t _{OWI_BIT_DEV}		0.55	1.0	1.5	t _{OWI_BIT}

No.	Parameter	Symbol	Conditions	Min	Typ	Max	Unit
2.4.3. Nonvolatile Memory (NVM)							
2.4.3.1	Junction temperature for NVM programming ²⁾	T _{AMB_NVM}		-40		150	°C
2.4.3.2	Re-write cycles ¹⁾	N _{NVM_TQA}	For T _{TQA} (see range in specification 2.2.2)	100			
2.4.3.3	Re-write cycles at 150°C	N _{NVM_TQE}	For T _{TQE} (see range in specification 2.2.2)	10			
2.4.3.4	Data retention ¹⁾	t _{NVM_RET}	Temperature profile: 22h bake at 250°C	15			Year
2.4.3.5	Programming time ¹⁾	t _{NVM_WRI}	Per written word		2.2	5	ms
¹⁾ No measurement in mass production; parameter is guaranteed by design and/or quality observation. ²⁾ Valid for dice. Note: Additional package and temperature range cause restrictions.							

3 ESD Protection and EMC Specification

3.1. ESD Protection

All pins have an ESD protection of $\geq 2000V$ according to the Human Body Model (HBM, based on MIL883, Method 3015.7). The VDDE, VSSE, and AOUT pins have an additional ESD protection of $\geq 4000V$ (HBM).

In addition, Charged Device Model (CDM) tests are processed with protection levels of $\geq 750V$ for corner pins and $\geq 500V$ for all other pins.

The level of ESD protection has been tested with devices in QFN24 4X4mm packages during the product qualification.

3.2. Latch-Up Immunity

All pins pass $\pm 100mA$ latch-up test based on testing that conforms to the standard EIA/JESD 78.

3.3. Electromagnetic Emission

The wired emission of externally connected pins of the device is measured according to the following standard: *IEC 61967_4:2002 + A1:2006*.

Measurements must be performed with the application circuits described in the *ZSSC4151 Application Description*.

For the off-board pins, the spectral power measured with the 150Ω method must not exceed the limits according to *IEC 61967_4k, Annex B.4 code H10kN*. For the VSSE pin, the spectral power measured with the 1Ω method must not exceed the limits according to *IEC 61967_4k, Annex B.4 code 15KmO*.

3.4. Conducted Susceptibility (DPI)

The conducted susceptibility of externally connected pins of the device is measured according to the IEC 62132-4 standard, which describes the direct power injection (DPI) test method.

Measurements must be performed with the application circuit described in the *ZSSC4151 Application Description*.

Measurements are performed with an internal reference capacitor and internal temperature sensor. The sensing element is replaced by a resistive divider. Calibration is parameterized so that $\sim 50\%$ VDDA is output.

Table 3.1 gives the specifications for the DPI tests. RES refers to the coupling impedance.

Table 3.1 Conducted Susceptibility (DPI) Tests

Test	Frequency Range	Target (dBm)	Load Pins	Protocol	Error Band	Comment
DPI, direct coupled	1MHz to 300MHz	26	VDDE, AOUT	Analog out	$\pm 1\%$	LOAD RES = $5k\Omega$ LOAD CAP = $10nF$
DPI, direct coupled	300MHz to 1000MHz	32	VDDE, AOUT	Analog out	$\pm 1\%$	LOAD RES = $5k\Omega$ LOAD CAP = $10nF$

4 Reliability and RoHS Conformity

The ZSSC4151 is qualified according to the AEC-Q100 standard, operating temperature grade 0. The qualification is extended to 3000h for the High Temperature Operating Life (HTOL) Test for one lot. Two manufacturing lots of extended HTOL qualification data (minimum of 3000h test time) for the ZSSC4151 or other products using identical technology (metallization), the same package supplier, the same package style, and the same die size within a specific tolerance are used to prove the package and bond reliability in the range of 3000h HTOL.

A FIT rate ≤ 10 FIT (temperature = 55°C, confidence level = 60%) is guaranteed. A typical FIT rate of TSMC's CV018BCD technology, which is used for the ZSSC4151, is 1 FIT.

The ZSSC4151 complies with the RoHS directive and does not contain hazardous substances.

5 Glossary

Term	Description
ADC	Analog-to-Digital Converter
AEC	Automotive Electronics Council
AFE	Analog Front-End
BAMP	Buffer Amplifier
BR	Bridge Sensor
CDM	Charged Device Model
CM	Command Mode
CMC	Calibration Microcontroller
DAC	Digital-to-Analog Converter
DNL	Differential Nonlinearity
DPI	Direct Power Injection
EMC	Electromagnetic Compatibility
ESD	Electrostatic Discharge
FIT	Failures in Time
FSO	Full Scale Output
HBM	Human Body Model
HTOL	High Temperature Operating Life
I ² C™	Inter-Integrated Circuit—serial two-wire data bus, trademark of NXP
INL	Integral Nonlinearity
LSB	Least Significant Bit
MUX	Multiplexer
NVM	Nonvolatile Memory

Term	Description
OWI	One-Wire Interface
PGA	Programmable Gain Amplifier
PTAT	Proportional-to-Absolute Temperature
PTC	Thermistor – Positive Temperature Coefficient Resistor
PWR	Power Management and Protection Unit
QFN	Quad-Flat No-Leads – IC package
RAM	Random Access Memory
RISC	Reduced Instruction Set Computing
ROM	Read-Only Memory
RMS	Root-Mean-Square
RTD	Resistance Temperature Device
SCCM	Sensor Check and Common Mode Adjustment Unit
SCL	Serial Clock
SDA	Serial Data
SSC	Sensor Short Check (diagnostic feature) or Sensor Signal Conditioner
TQA, TQE, TQI	Temperature range identifier. See specification 2.2.2 for definition.
ZACwire™	IDT-specific One-Wire Interface

6 Document Revision History

Revision	Date	Description
1.00	September 13, 2015	First release.
1.01	November 10, 2015	Extended leakage current description in section 2.3.6 for specifications 2.3.6.13 and 2.3.6.14 Updates for table notes for Table 2.3. Revision of pin names BRP to BR1P and BRN to BR1N.
1.02	April 12, 2016	Added minimum value for ratiometricity error in Table 2.3. Updated section 4 regarding completion of AEC-Q100 qualification and extension of the minimum test time to 3000h. Updated specification 2.3.7.7 for improved accuracy of $\pm 0.35\%$ of FSO at -40°C to 125°C and 0.5% FSO at -40°C to 150°C .
	April 20, 2016	Changed to IDT branding.

