



## High-Precision and Bidirectional Current Monitor for Accurate High-/Low-Side Current Measurement

The DIODES™ ZXCT199 current monitor is a single-stage instrumentation amplifier designed to accurately measure very small sense voltages across a wide range of common-mode voltages. Its applications include current sensing of load currents in power supplies, motor controlling, and monitoring of charge and discharge currents in battery-powered equipment.

The ZXCT199's low offset voltage with zero-drift architecture enables it to achieve current sensing with maximum drops across the shunt resistor, to as low as 10mV full-scale, and thereby allowing the use of small-value sense resistors to monitor large currents.

The device is available in three fixed-voltage gain options: 50V/V, 100V/V, and 200V/V. Each option has a wide -0.1V to +26V common-mode sense input voltage range, independent of supply voltage.

All ZXCT199 variants operate from a 2.7V to 26V power supply, with a maximum of 100µA of supply current. The device operates across a -40°C to 125°C temperature range, and is packaged in the industry-standard SOT363 package.



### The DIODES™ Advantage

**High-precision current monitor supports large current measurement with small  $V_{SENSE}$  resistors and voltages.**

- **Offset Voltage as Low as 80µV**  
Minimizes errors when using low-value sense resistors
- **Gain Error as Low as 0.8%**  
Maintains accurate gain control across temperature and common-mode voltage
- **Common Mode Range: -0.1 to 26V**  
Accurately measures high-side and low-side currents, including short-circuited loads
- **Wide Operating Voltage Range: 2.7 to 26V**  
Provides options for powering separately or from a monitored supply
- **Robust ESD Capability (HBM: 5kV, CDM: 1.5kV)**  
Improves system reliability

### Applications

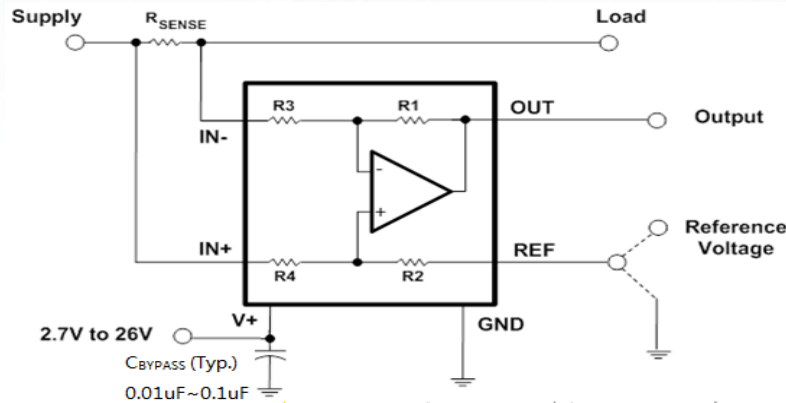
- High-/low-side current sensing, including short-circuits
- Laptop PCs
- Battery chargers
- Power-management devices
- Servers
- 12V motor controls

The Diodes logo is a registered trademark of Diodes Incorporated in the United States and other countries

DIODES is a trademark of Diodes Incorporated in the United States and other countries.

© 2022 Copyright Diodes Incorporated. All Rights Reserved.

### Typical Application



### Product Portfolio

Part Number	Common-Mode Sense Input Voltage Range (V)	Supply Voltage (V)	Gain	Gain Error (%)	Maximum $V_{OS}$ ( $\mu$ V)	CMRR (dB)	Operating Temperature Range $^{\circ}$ C	Package
<a href="#">ZXCT199A1</a>	-0.1 to 26	2.7 to 26	50	$\pm 1$	$\pm 150$	90	-40 to 125	SOT363
<a href="#">ZXCT199A2</a>			100		$\pm 150$	100		
<a href="#">ZXCT199A3</a>			200		$\pm 150$	105		
<a href="#">ZXCT199B1</a>			50	$\pm 1$	$\pm 100$	90		
<a href="#">ZXCT199B2</a>			100		$\pm 100$	100		
<a href="#">ZXCT199B3</a>			200		$\pm 100$	105		
<a href="#">ZXCT199C1</a>			50	$\pm 0.8$	$\pm 80$	90		
<a href="#">ZXCT199C2</a>			100		$\pm 80$	100		
<a href="#">ZXCT199C3</a>			200		$\pm 80$	105		

\* Independent of supply voltage.

### Ordering Information

Orderable Part Number	Offset ( $\mu$ V)	Gain (V/V)	Package	Moisture Sensitivity	Packing	
					Qty.	Carrier
<a href="#">ZXCT199A1DW-7</a>	150	50	SOT363	MSL-1	3000	7" Tape & Reel
<a href="#">ZXCT199A2DW-7</a>	150	100	SOT363	MSL-1	3000	7" Tape & Reel
<a href="#">ZXCT199A3DW-7</a>	150	200	SOT363	MSL-1	3000	7" Tape & Reel
<a href="#">ZXCT199B1DW-7</a>	100	50	SOT363	MSL-1	3000	7" Tape & Reel
<a href="#">ZXCT199B2DW-7</a>	100	100	SOT363	MSL-1	3000	7" Tape & Reel
<a href="#">ZXCT199B3DW-7</a>	100	200	SOT363	MSL-1	3000	7" Tape & Reel
<a href="#">ZXCT199C1DW-7</a>	80	50	SOT363	MSL-1	3000	7" Tape & Reel
<a href="#">ZXCT199C2DW-7</a>	80	100	SOT363	MSL-1	3000	7" Tape & Reel
<a href="#">ZXCT199C3DW-7</a>	80	200	SOT363	MSL-1	3000	7" Tape & Reel