

Industrial Panel PC

iW-G39H Series HMI Datasheet



iWave
Embedding Intelligence

Revision History

Document Number	iW-G39H-DS-R2.0-REL1.1	
Revision & Release	Date	Description
REV 2.0 REL 1.0	25.01.2021	Initial Release
REV 2.0 REL 1.1	07.03.2022	Added Module connector details & weight of 7" & 10.1"
PROPRIETARY NOTICE: This document contains proprietary material for the sole use of the intended recipient(s). Do not read this document if you are not the intended recipient. Any review, use, distribution or disclosure by others is strictly prohibited. If you are not the intended recipient (or authorized to receive for the recipient), you are hereby notified that any disclosure, copying distribution or use of any of the information contained within this document is STRICTLY PROHIBITED. Thank you. "iWave Systems Tech. Pvt. Ltd."		

Disclaimer

iWave Systems reserves the right to change details in this publication including but not limited to any product specification without notice.

No warranty of accuracy is given concerning the contents of the information contained in this publication. To the extent permitted by law no liability (including liability to any person by reason of negligence) will be accepted by iWave Systems, its subsidiaries or employees for any direct or indirect loss or damage caused by omissions from or inaccuracies in this document.

CPU and other major components used in this product may have several silicon errata associated with it. Under no circumstances, iWave Systems shall be liable for the silicon errata and associated issues.

Trademarks

All registered trademarks and product names mentioned in this publication are used for identification purposes only.

Certification

iWave Systems Technologies Pvt. Ltd. is an ISO 9001:2015 Certified Company.



Warranty & RMA

Warranty support for Hardware: 1 Year from iWave or iWave's EMS partner.

For warranty terms, go through the below web link,

<http://www.iwavesystems.com/support/warranty.html>

For Return Merchandise Authorization (RMA), go through the below web link,

<http://www.iwavesystems.com/support/rma.html>

Technical Support

iWave Systems technical support team is committed to provide the best possible support for our customers so that our Hardware and Software can be easily migrated and used.

For assistance, contact our Technical Support team at,

Email : support.hmi@iwavesystems.com

Website : www.iwavesystems.com

Address: iWave Systems Technologies Pvt. Ltd.

7/B, 29th Main, BTM Layout 2nd Stage,
Bangalore, Karnataka,
India – 560076

Contents

Contents	4
1 Introduction	6
1.1 Purpose	6
1.2 Overview	6
2 Technical Details	7
2.1 Block Diagram	7
2.2 HMI Mechanical detail	8
2.2.1 7" display HMI Dimension	8
2.2.2 10.1" display HMI Dimension	9
2.3 HMI Specification	10
2.4 HMI Connectors	12
2.4.1 Power Input Connector	13
2.4.2 RS485 Connector	13
2.4.3 RS232&CAN Connector.....	14
2.4.4 Analog Input and Digital Input, Output Connector	14
2.4.5 M.2 Connector Details.....	15
2.4.6 Peripheral module interface Connector details	17
2.4.7 Standard Connectors	18
2.5 Software Specification	19
2.5.1 BSP Contents and Features.....	19
2.6 Pre-Compliance Test Specification	22
2.7 Ordering Information	23

List of figures

Figure 1 : Block Diagram.....	7
Figure 2 : 7” HMI Drawing.....	8
Figure 3 : 10.1” HMI Drawing.....	9

List of Tables

Table 1 : HMI Specification.....	10
Table 2 : LCD Specification.....	11
Table 3 : LCD and Touch Panel Specification	11
Table 4 : HMI Connector Details.....	12
Table 5 : Power Input Connector Pin Detail	13
Table 6 : RS485 Connector Pin Details.....	13
Table 7 : RS232 & CAN Connector Pin Details	14
Table 8 : Analog Input and Digital Input, Output Connector Pin Details.....	14
Table 9 :M.2 Connector Pin Detail.....	15
Table 10 : Module Connector Pin Detail	17
Table 11 : Standard Connectors Detail	18
Table 12 : BSP Contents.....	19
Table 13 : BSP Features	20
Table 14 : Pre-Compliance Test Spec.....	22

1 Introduction

1.1 Purpose

The document is a datasheet of the Rainbow series HMI solution based on i.MX8M Mini application processor. This solution is fully supported by iWave Systems Technologies Pvt Ltd. This datasheet provides information on overall hardware specification, software specification, mechanical dimension and subjected pre-compliance test cases.

1.2 Overview

HMI is based on iWave Systems Technologies Pvt Ltd i.MX8M Mini SODIMM SOM. The HMI support i.MX8M Mini ARM™ Cortex Core-A53 based CPU and ARM Cortex-M4 core.

HMI support 7" and 10.1" display solution with PCAP touch interface.

HMI BSP provided will be a collection of Tools, Binary, Source code and support files, these deliverables can be used to create a Linux Kernel Image and Android/Linux Root file system for our HMI solution.

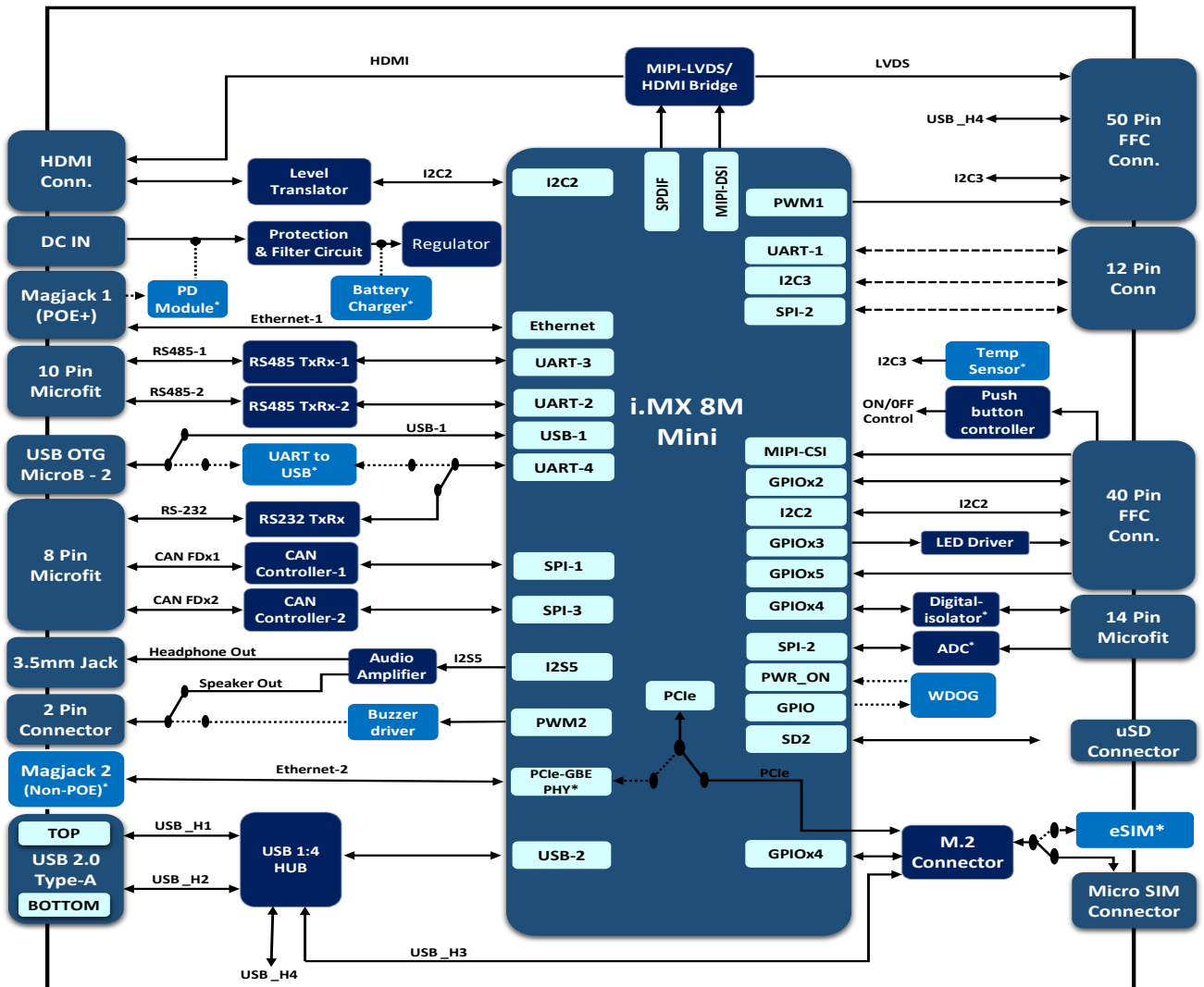
2 Technical Details

This section provides technical details of the hardware, software and mechanical aspect of HMI.

2.1 Block Diagram



iW-RainboW-G39H – i.MX8M Mini Based Carrier Card Block Diagram



mktg@iwavesystems.com

iWave Systems Technologies Pvt. Ltd.

Figure 1 : Block Diagram

Note:

*Optional Features will not be populated in the standard configuration. Please contact iWave Systems

1. 2 PIN Connector is shared between buzzer and speaker by default is speaker is connected.
2. UART 4 is shared between UART to USB converter & USB OTG by default USB OTG is supported.
3. UART1 is shared between 12 PIN connector and Bluetooth Module, by default it will be connected to Bluetooth Module

2.2 HMI Mechanical detail

This chapter contains illustrations of the HMI Mechanical Dimension.

2.2.1 7" display HMI Dimension

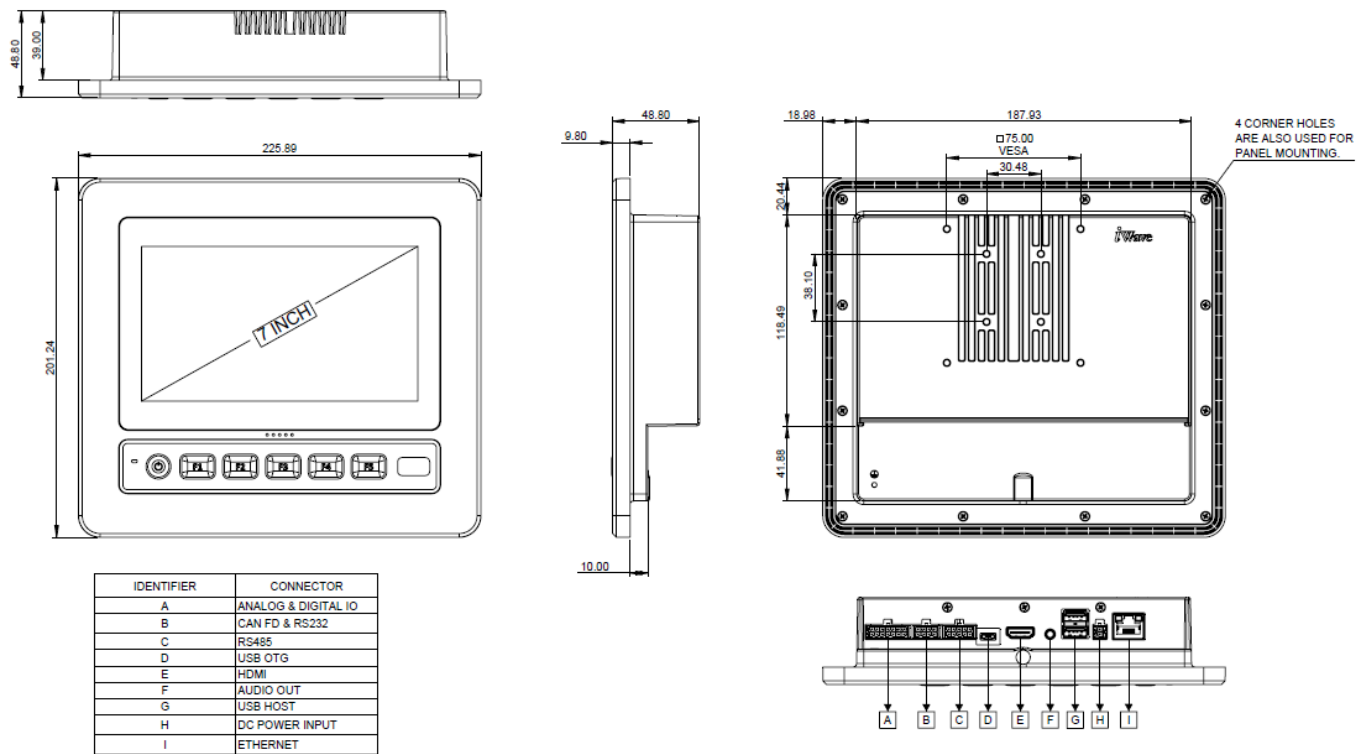


Figure 2 : 7" HMI Drawing

2.2.2 10.1" display HMI Dimension

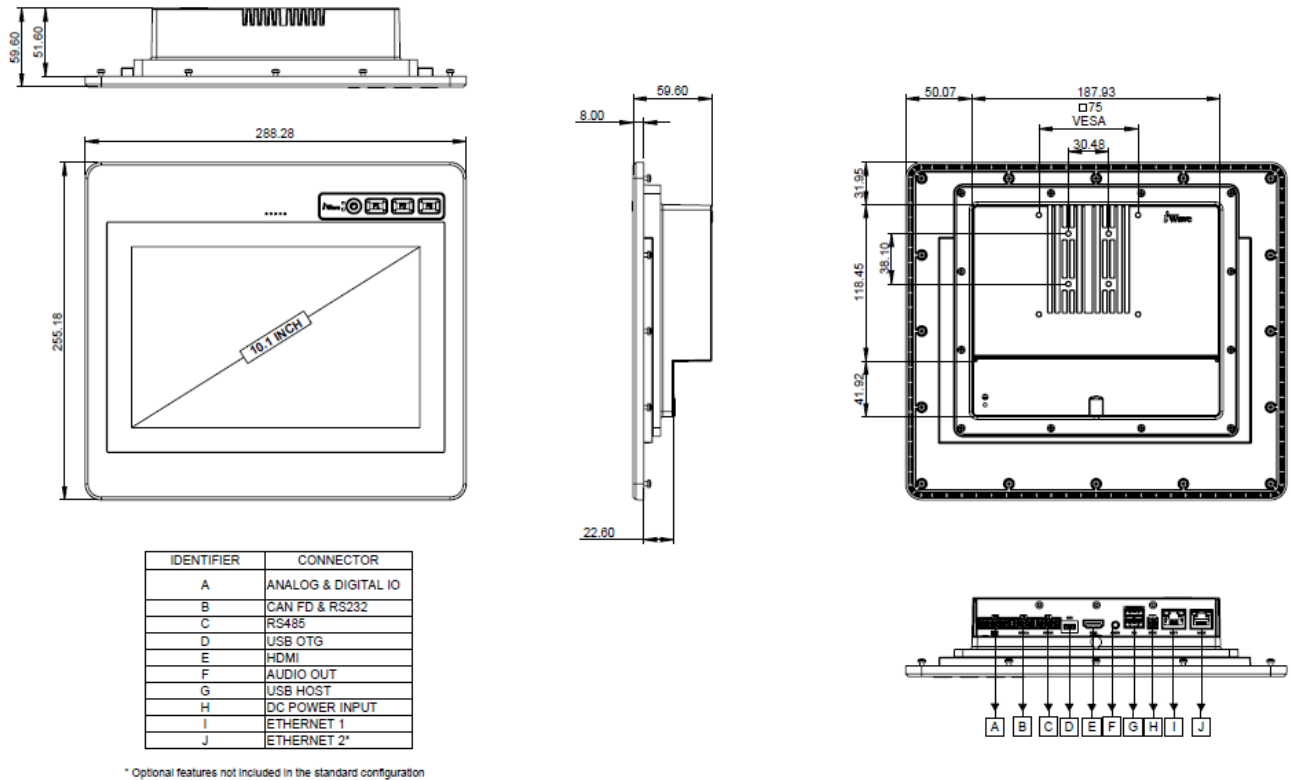


Figure 3 : 10.1" HMI Drawing

Note:

All the dimensions are in mm

Enclosure design feature can change without any notice for improving product Feature.

iW-G39H Series HMI Datasheet

2.3 HMI Specification

Table 1 : HMI Specification

CPU	i.MX8M Mini Quad Core
Core Class & CPU Clock	Arm Cortex A53 & Cortex®-M4
Memory	
Flash Memory	8GB eMMC Flash
RAM	1GB/2GB –LPDDR4
Micro SD card slot	4-bit MMC/SDIO/SD
Operating System	
Supported OS	Linux 5.4.70 & Android 11.0*
Communication Interfaces	
Ethernet-1(PoE)	1x10/100/1000 Mbps Ethernet (RJ45)
Ethernet-2	1x10/100/1000 Mbps Ethernet (RJ45) *
USB 2.0	2xUSB Host (Type A)
USB OTG	1xUSB OTG
CAN FD	2x CAN up-to 5Mbps data rate
RS485	2xRS485
RS232	1xRS232
Digital Input	Isolated Digital Input x 2 upto 36V (sinking)
Digital Output	Isolated Digital output x 2 upto 36V (sinking)
Analog Input	Analog Input x 4: 4-20mA or +/-12V
Camera	MIPI Camera [#]
RTC	RTC with Coin cell battery
Watchdog	External Watchdog Timer
Keypad	Software configurable Keypad
Buzzer or speaker	Buzzers Indicator,3V,15mA,78 dB SPL
Battery	Battery for emergency data Backup*
Wireless Communication interfaces	
WIFI	IEEE 802.11 a/b/g/n/ac
Bluetooth	Bluetooth 5.0
Audio	
Audio	Line Out
M.2 Expansion Slot	
M.2 Connector Key B*(for LTE & positioning or SSD)	
PCIe	PCIe 2.0 x1
USB	USB 2.0 x1
SIM	Micro SIM Connector /eSIM

iW-G39H Series HMI Datasheet

Peripheral Expansion	
Module Expansion connector	UART/i2C/SPI interface for Plug and Play wireless module & Sensor*
Enclosure	
Front Bezel	Aluminum
Back cover, heat Sink & Connector Plate	Aluminum
Ingress Protection	Front IP65
7" HMI Weight	1.4 Kg (Approx)
10.1" HMI Weight	1.8 Kg (Approx)
Power Supply	
Power Input	9V/24V DC external Supply
	Load Dump Protection (-36V -90V) & PoE+ (IEE802.3at) *
Typical Environment condition	
Storage Temperature	-20°C to +70°C
Operating Temperature	-20°C to 65°C
Humidity	95% @ 40°C

* Optional Features will not be populated in the standard design and may have MOQ requirement. Please contact iWave Systems.

In Plan.

Table 2 : LCD Specification

LCD Specification		
Size	10.1"	7"
Resolution	1280 x 800	1024 x 600
Aspect Ratio	16:10	16:9
Brightness	800 cd/m ²	
Backlight Life	Min 70K Hrs	Min 50K Hrs
Touch	PCAP with Multi touch	
LCD Type	IPS transmissive type	

Table 3 : LCD and Touch Panel Specification

2.4 HMI Connectors

This section describes the Connectors of HMI.

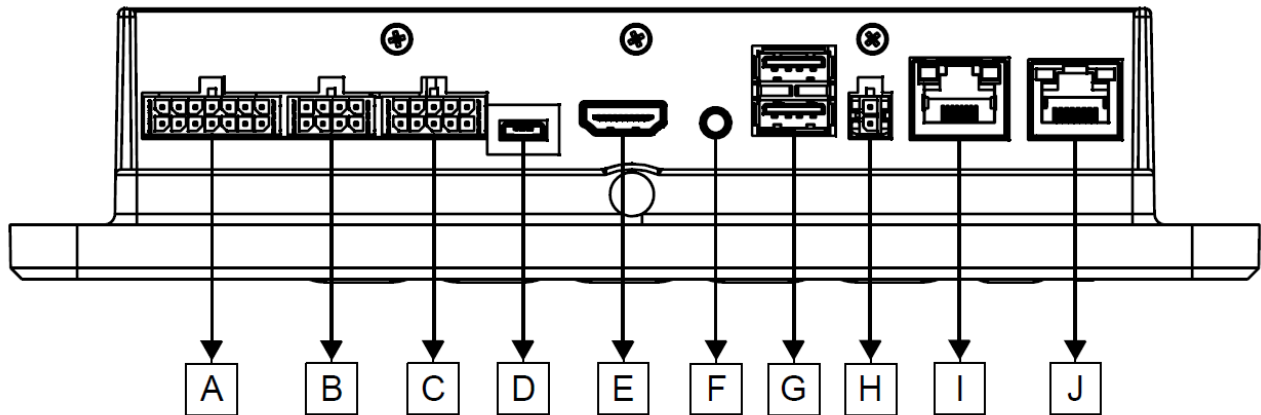


Table 4 : HMI Connector Details

Position	Description
A	Analog Input and Digital Input, Output Connector
B	RS232 & CAN FD Connector
C	RS485 Connector.
D	USB OTG
E	HDMI
F	Audio Jack
G	USB Host
H	DC Power input
I	Ethernet 1
J	Ethernet 2*

*Optional Feature not included in the standard configuration

2.4.1 Power Input Connector

Connector part No: 66200221022

Mating connector part No: 662002113322

Supporting crimp part No: 66200313722DEC

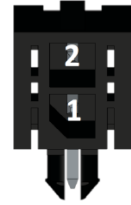


Table 5 : Power Input Connector Pin Detail

Pin No	Signal Name	Signal Type	Signal Description
1	GND	Power	Ground
2	VCC	Power	12-24V DC Supply.

2.4.2 RS485 Connector

Connector Part No: 66201021022

Mating connector part No: 662010113322

Supporting Crimp part No: 66200313722DEC

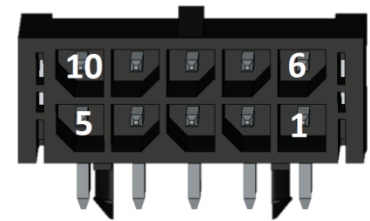


Table 6 : RS485 Connector Pin Details

Pin No	Signal Name	Signal	Signal Description
1	UART_3_RS485_TXY1	Differential	Positive Differential Output of Transceiver 1.
2	UART_3_RS485_TXZ1	Differential	Negative Differential Output of Transceiver 1.
3	GND	Power	Ground
4	UART_2_RS485_TXY2	Differential	Positive Differential Output of Transceiver 2.
5	UART_2_RS485_TXZ2	Differential	Negative Differential Output of Transceiver 2.
6	UART_3_RS485_RXA1	Differential	Positive Differential Input of Transceiver 1.
7	UART_3_RS485_RXB1	Differential	Negative Differential Input of Transceiver 1.
8	GND	Power	Ground
9	UART_2_RS485_RXA2	Differential	Positive Differential Input of Transceiver 2.
10	UART_2_RS485_RXB2	Differential	Negative Differential Input of Transceiver 2.

Note:

- By default, both RS485 interfaces will be configured as Full-Duplex.
- Both the RS485 can be configured as Half-duplex also. To configure RS485_1 as half-duplex, externally connect PIN 1 & 6 and PIN 2 & 7. Similarly, for RS485_2 connect externally PIN 4 & 9 and PIN 5 & 10 to configure it as half-duplex.

2.4.3 RS232&CAN Connector

Connector Part No: 66200821022

Mating connector part No: 662008113322

Supporting Crimp part No: 66200313722DEC

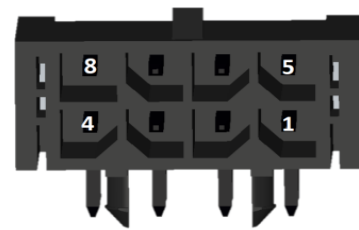


Table 7 : RS232 & CAN Connector Pin Details

Pin No	Signal Name	Signal Type	Signal Description
1	UART_4_RS232_RXD	Input	RS232 Receiver Input.
2	GND	Power	Ground.
3	SPI_1_CAN_H1	Differential	Differential Low signal of Transceiver 1
4	SPI_1_CAN_L1	Differential	Differential High signal of Transceiver 1
5	UART_4_RS232_TXD	Output	RS232 Transmitter output.
6	GND	Power	Ground
7	SPI_2_CAN_H2	Differential	Differential Low signal of Transceiver 2.
8	SPI_2_CAN_L2	Differential	Differential High signal of Transceiver 2.

2.4.4 Analog Input and Digital Input, Output Connector

Connector Part No: 66201421022

Mating connector part No: 662014113322

Supporting Crimp part No: 66200313722DEC

Table 8 : Analog Input and Digital Input, Output Connector Pin Details

Pin	Signal Name	Signal Type	Signal Description
1	DIO_VCC	Power	Digital Output Power.
2	DOUT2	Output	Sinking digital output 2
3	DIN1	Input	Sinking digital Input 1
4	IN_AIN0	Input	Analog Input 0
5	IN_AIN1	Input	Analog Input 1
6	ANALOG_VCC_+VE	Power	Analog Input +ve Supply
7	ANALOG_VCC_-VE	Power	Analog Input -ve Supply
8	DIO_GND	Power	Digital IO Ground
9	DOUT1	Output	Sinking digital output 1
10	DIN2	Input	Sinking digital Input 2
11	AGND	Power	Analog Signal GND
12	IN_AIN3_N	NC/ Differential	NC / Differential Analog input -Ve
13	IN_AIN3_P	Input	Analog Input 3 / Differential Analog input +Ve
14	IN_AIN2	Input	Analog Input 2

2.4.5 M.2 Connector Details

Connector Part No: 2199230-3.

M.2 Connector supports PCIe /USB 2.0/UIM interfaces.

M.2 is primarily targeted for board types 2242 and 3042 board sizes and Supports PCIe based SSDs, USB or PCIe based WWAN (LTE, GPS).

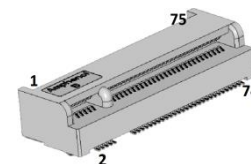


Table 9 :M.2 Connector Pin Detail

Pin No	Signal Name	Signal Type	Signal Description
1	NC	No Connection	No Connection
2	VCC_3V3	Power	3.3V Power Input
3	GND	Power	Ground
4	VCC_3V3	Power	3.3V Power Input
5	GND	Power	Ground
6	FULL_CARD_POWER_OFF#	IO, 3.3V CMOS	Card On-Off
7	USB_D+	Differential	USB Data Positive.
8	W_DISABLE1# (O)(0/3.3V)	IO, 3.3V CMOS	LTE Disable
9	USB_D-	Differential	USB Data Negative.
10	NC	No Connection	No Connection
11	GND	Power	Ground
12	Key	No Connection	No Connection
13	Key	No Connection	No Connection
14	Key	No Connection	No Connection
15	Key	No Connection	No Connection
16	Key	No Connection	No Connection
17	Key	No Connection	No Connection
18	Key	No Connection	No Connection
19	Key	No Connection	No Connection
20	I2S_CLK	No Connection	No Connection
21	CONFIG_0	No Connection	No Connection
22	I2S_RX	No Connection	No Connection
23	NC	No Connection	No Connection
24	I2S_TX	No Connection	No Connection
25	NC	No Connection	No Connection
26	W_DISABLE_2	I, 1.8V	GNSS Disable
27	GND	Power	Ground
28	I2S_WS	No Connection	No Connection
29	NC	No Connection	No Connection
30	UIM-RESET (I)	I,1.8V	UIM clock RESET.
31	NC	No Connection	No Connection

iW-G39H Series HMI Datasheet

Pin No	Signal Name	Signal Type	Signal Description
32	UIM-CLK (I)	I,1.8V	UIM clock signal.
33	GND	Power	Ground
34	UIM-DATA (I/O)	IO,1.8V	UIM clock signal.
35	NC	No Connection	No Connection
36	UIM-PWR (I)	I,1.8V	Power source for the
37	NC	No Connection	No Connection
38	NC	No Connection	No Connection
39	GND	Power	Ground
40	NC	No Connection	No Connection
41	PERNO	Differential	PCEI Receive Negative
42	NC	No Connection	No Connection
43	PERPO	Differential	PCEI Receive Positive
44	NC	No Connection	No Connection
45	GND	Power	Ground
46	NC	No Connection	No Connection
47	PETNO	Differential	PCIe Transmit Negative
48	NC	No Connection	No Connection
49	PETPO	Differential	PCIe Transmit Positive
50	PERST#	I,3.3V	PCIe RESET
51	GND	Power	Ground
52	CLKREQ#	IO,3.3V	PCIe Clock Request
53	REFCLKN	Differential	PCIe Reference Clock
54	PEWAKE#	IO, 3.3V CMOS	PCIe Wake
55	REFCLKP	Differential	PCIe Reference Clock
56	NC	No Connection	No Connection
57	GND	Power	Ground
58	NC	No Connection	No Connection
59	NC	No Connection	No Connection
60	NC	No Connection	No Connection
61	NC	No Connection	No Connection
62	NC	No Connection	No Connection
63	NC	No Connection	No Connection
64	NC	No Connection	No Connection
65	NC	No Connection	No Connection
66	SIM_DETECT (I)	I,1.8V	SIM card Detection
67	RESET#	O,1.8V	Card Reset
68	NC	No Connection	No Connection
69	NC	No Connection	No Connection

Pin No	Signal Name	Signal Type	Signal Description
70	VCC_3V3	Power	3.3V Power Input
71	GND	Power	Ground
72	VCC_3V3	Power	3.3V Power Input
73	GND	Power	Ground
74	VCC_3V3	Power	3.3V Power Input
75	NC	No Connection	No Connection

2.4.6 Peripheral module interface Connector details

Connector Part No: HLE-106-02-F-DV.

Module Connector supports SPI, I2C and UART interfaces for Plug and Play wireless module and sensor connection.

Max Peripheral Module size (L x W): 32mm x 53mm.

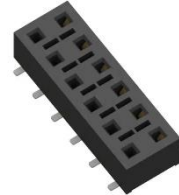


Table 10 : Module Connector Pin Detail

Pin No	Signal Name	Signal Type	Signal Description
1	ECSPI2_SS0	Output	SPI Chip select
2	ECSPI2_MOSI	Output	SPI Master Out Slave In
	UART1_TXD	Output	UART Transmitter
3	I2C3_SCL	Clock	I2C Clock
	ECSPI2_MISO	Input	SPI Master In Slave Out
	UART1_RXD	Input	UART Transmitter
4	I2C3_SDA	IO	I2C Data
	ECSPI2_SCLK	Clock	SPI Clock
5	GND	Power	Ground
6	VCC_3V3_CC	Power	3.3V Power Input
7	UART1_RXD	Input	UART Receiver
8	UART1_TXD	Output	UART Transmitter
9	I2C3_SCL	Clock	I2C Clock
10	I2C3_SDA	IO	I2C Data
11	GND	Power	Ground
12	VCC_3V3_CC	Power	3.3V Power Input

2.4.7 Standard Connectors

In this section, the standard connector's part numbers are mentioned. All connector pinouts are as per standards.

Table 11 : Standard Connectors Detail

Interface	Connector Description	Connector Part No
USB OTG	Micro USB Type AB Connector	47589-0001
USB 2.0 Host	USB Type A right angle stack connector	72309-8034BLF
Ethernet Port-1	RJ45 PoE Magjack Connector	7499511440
Ethernet Port-2	RJ45 Magjack Connector	7499111447
Micro SD	Push-Push type 10pin Connector	GTFP08431BEU
Audio Out	3.5 mm Jack	SJ-3523-SMT-TR
Micro SIM	Hinged Micro SIM Connector	78800-0001
HDMI	HMDI Connector	685119134923

2.5 Software Specification

iWave HMI deliverables include BSP for Linux/Android and libraries for GUI development.

Linux is a family of free and open-source software operating systems. Yocto framework is used for Linux-based HMI. Linux 5.4.70 kernel and 2020.04 Uboot loader versions are used in Linux BSP. iWave's HMI is based on Android version 11.0

As our BSP comes with pre-integrated Open-source GUI libraries and SDK which helps the user to build a rich and interactive GUI on iWave's HMI platform.

2.5.1 BSP Contents and Features

BSP offers flexibility to incorporate Industrial protocols, open-source protocols and applications for any automated GUI Applications. Depending on customer OS requirement (Linux/Android) corresponding Linux BSP or Android BSP will be provided.

Table 12 : BSP Contents

Items	Name	Description
Kernel	Linux 5.4.70	Linux Source code based on 5.4.70 version
Boot loader	U-Boot 2020.04	Primary Boot Loader program
File System	Yocto 3.0 Zeus	Linux file system
Tool Chain	GCC Version 9.2.0 (GCC)	Cross Compiler Tool
Tool	UUU Tool	Flashing Tool
Binaries for Linux	Flash.bin, Image & DTB Rootfs	U-Boot Image, Kernel images and Device Tree Binaries, Linux File System
Binaries for Android	U-Boot, Boot Image, Recovery Image, System Boot Image, User Data image	U-Boot Image, Kernel Image & Device Tree, Factory Reset or Reset the Original OS Version, Android File System Application Data Storage for the system application.

iW-G39H Series HMI Datasheet

Table 13 : BSP Features

Items	Name	Description
Boot loader	U-Boot 2020.04	Primary Boot Loader Program.
OS	Linux 5.4.70 Android 11.0	Linux OS. Android OS
Drivers supported in Linux and Android	USB	USB driver with Host and OTG support.
	Ethernet	Ethernet Driver with TCP/IP protocol support.
	SDHC	SDHC driver.
	Wi-Fi (SPI/SDIO)	802.11 a/b/g/n/ac Wi-Fi Host-Client support.
	Bluetooth (UART)	BLE 5.0 with GAP, GATT & ObexFTP profile.
	Touch	Capacitive Multi Touch driver.
	UART	RS232, RS485 (full/half duplex).
	SPI	SPI driver.
	I2C	I2C driver.
	PWM	PWM Brightness Control & Buzzer driver provided
	GPIO	GPIO driver.
	Watchdog	System watchdog driver.
	Audio	Audio line-out support.
	LVDS	LVDS display driver.
	DIO	Digital Input and Digital Output driver
	ADC	Analog Input
	MIPI Camera	MIPI CSI Driver support
	Keypad	Software configurable keypad
	Buzzer	PWM-Buzzer driver support
	Speaker	Stereo Headphone & Mono Class-D speaker support
PCIe	NVM Express block device driver support	
GPS	GNSS support	
4G	LTE support	
CAN FD	TCAN4X5X driver support	
Linux Library/Packages/Applications	QT OPEN-Source Libraries	XWayland with QT 5.15 Libraries
	Web Browsers	HTML5 feature is provided.
	PDF Viewer	PDF viewer is provided.
	Python	Python language feature is provided
	JRE	Java Run Time is provided.
	Node.js	Java script run time environment feature is provided.

iW-G39H Series HMI Datasheet

Items	Name	Description
	Multimedia Applications	Multimedia Applications like GThumb, VLC, Gstreamer and Image viewer are supported.
	Email	SMTP, POP3 & IMAP Protocol supported
	PHP	PHP feature is provided.
	Apache server	Apache server feature is provided.
	VNC viewer	VNC Viewer Application is provided.
	Mosquitto MQTT	Mosquitto MQTT broker feature is provided.
	RabbitMQ/AMQP	RabbitMQ/AMQP feature is provided
	OpenSSL Libraries	OpenSSL library is provided.
	OpenCV Libraries	OpenCV library is provided.
	OpenCL Libraries	OpenCL Libraries is provided.
	OpenGL ES Libraries	OpenGL ES library is provided
	OpenVG Libraries	OpenVG library is provided
Android Library/Packages/Applications	Android 11.0 Standard Library/package/Applications	Library/package/Application Supported in Android version 11.0 is provided.
Tool Chain	GCC Version 9.2.0	A cross compiler tool to develop Application
Protocols	Supported Protocols	CAN J1939, CAN ISO- 15765-4 & CAN 11898 Modbus TCP/IP & RTU Ethernet TCP/UDP/IP MQTT & AMQP
Security	Security Features	Secure Storage WPA2 Security Secure File system Secure IOT (cloud Communication) AHAB (Secure & encrypted boot) OPTEE (Arm TrustZone architecture) CAAM

2.6 Pre-Compliance Test Specification

iWave HMIs are engineered to meet the below Pre-Compliance test standard.

Table 14 : Pre-Compliance Test Spec

Test Type	Test	Test Standard
Immunity Test	Electrostatic Discharge (ESD)	IEC 61000-4-2
	Electrical Fast Transient (EFT)	IEC 61000-4-4
	Surge	IEC 61000-4-5
	Voltage Dips and Interruption	IEC 61000-4-11
	RF Electromagnetic Field	IEC 61000-4-3
	Power Frequency magnetic field	IEC 61000-4-8
	Conducted Disturbance Induced by RF	IEC 61000-4-6
Emission Test	Conducted Emission	EN55032/ CISPR32
	Radiated Emission	EN55032/ CISPR32

Note: The above Pre-Compliance tests are in plan.