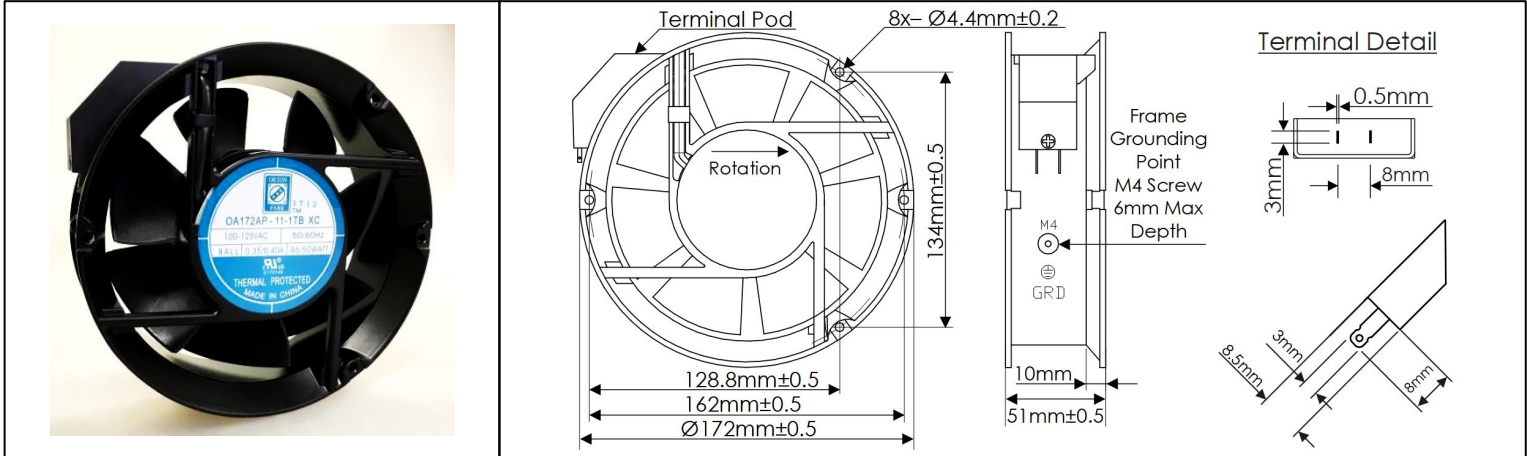


OA172AP XC Series



AC Fans - 115, 230V
172mm x 51mm (6.7" x 2.0")



Frame	Die Cast Aluminum, Black Finish	Operating Temperature -10°C ~ +65°C Storage Temperature -25°C ~ +70°C Life Expectancy 60,000 Hours (L10 at 40°C) Available Options IP Ratings Weight: 2.20 lbs.	
Impeller	PBT, UL94 V-0 Plastic		
Connection	Terminals		
Motor	AC, Capacitor Induction, Single Phase, Impedance Protected, Thermally Protected @ 125°C, Class B Insulation		
Bearing System	Ball Bearings		
Dielectric Strength	1500VAC/min, <1mA		
Insulation Resistance	≥10MΩ @ 500V DC		

Part Number	Rated Voltage (Volts AC)	Voltage Range (Volts AC)	Input Power (Watts)	Frequency (Hertz)	Rated Speed (RPM)	Max Airflow (CFM)	Noise Level (dBA)	Max Static Pressure ("H ₂ O)
OA172AP-11-1TBXC	115	80 ~ 125	46 / 50	50 / 60	2600 / 3300	250 / 293	56 / 61	0.63 / 0.78
OA172AP-22-1TBXC	230	220 ~ 240	46 / 50	50 / 60	2600 / 3300	250 / 293	56 / 61	0.63 / 0.78