

# PS9587, PS9587L1, PS9587L2, PS9587L3

HIGH CMR, 10 Mbps OPEN COLLECTOR OUTPUT TYPE  
8-PIN DIP HIGH-SPEED PHOTOCOUPLER

R08DS0244EJ0100  
Rev.1.00  
Sep 21, 2021

## DESCRIPTION

The PS9587, PS9587L1, PS9587L2 and PS9587L3 are optically coupled isolators containing an AlGaAs LED on the input side and a photo diode and a signal processing circuit on the output side on one chip.

The PS9587L1 and PS9587L2 are designed specifically for long creepage-distance as well as high common mode transient immunity (CMR) and high speed digital output type. Consequently, they are suitable for high speed logic interface that needs long creepage-distance (8 mm) on mounting.

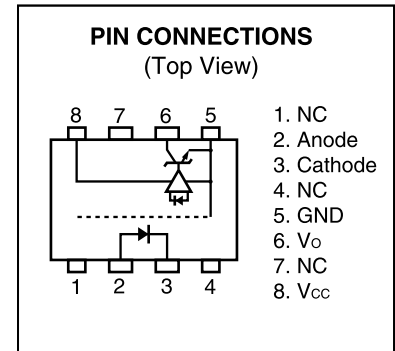
The PS9587L1 is lead bending type for long creepage distance.

The PS9587L2 is lead bending type for long creepage distance (Gull-wing) for surface mount.

The PS9587L3 is lead bending type (Gull-wing) for surface mounting.

## FEATURES

- Long creepage distance (8 mm MIN. : PS9587L1, PS9587L2)
- High common mode transient immunity ( $CM_H, CM_L = \pm 15 \text{ kV}/\mu\text{s}$  MIN)
- High isolation voltage ( $BV = 5\,000 \text{ Vr.m.s.}$ )
- High-speed response (10 Mbps)
- Pulse width distortion ( $|t_{PHL} - t_{PLH}| = 10 \text{ ns TYP.}$ )
- Open collector output
- Ordering number of tape product : PS9587L2-E3 : 1 000 pcs/reel  
: PS9587L3-E3 : 1 000 pcs/reel
- Pb-Free product
- Safety standards
  - - UL approved: UL1577, Double protection
  - - CSA approved: CAN/CSA-C22.2 No.62368-1, Reinforced insulation
  - - BSI approved: BS EN 62368-1, Reinforced insulation
  - - SEMKO approved: EN 62368-1, IEC 62368-1, Reinforced insulation
  - - NEMKO approved: EN 62368-1, Reinforced insulation
  - - DEMKO approved: EN 62368-1, Reinforced insulation
  - - FIMKO approved: EN 62368-1, Reinforced insulation
  - - VDE approved: DIN EN 60747-5-5 (Option)



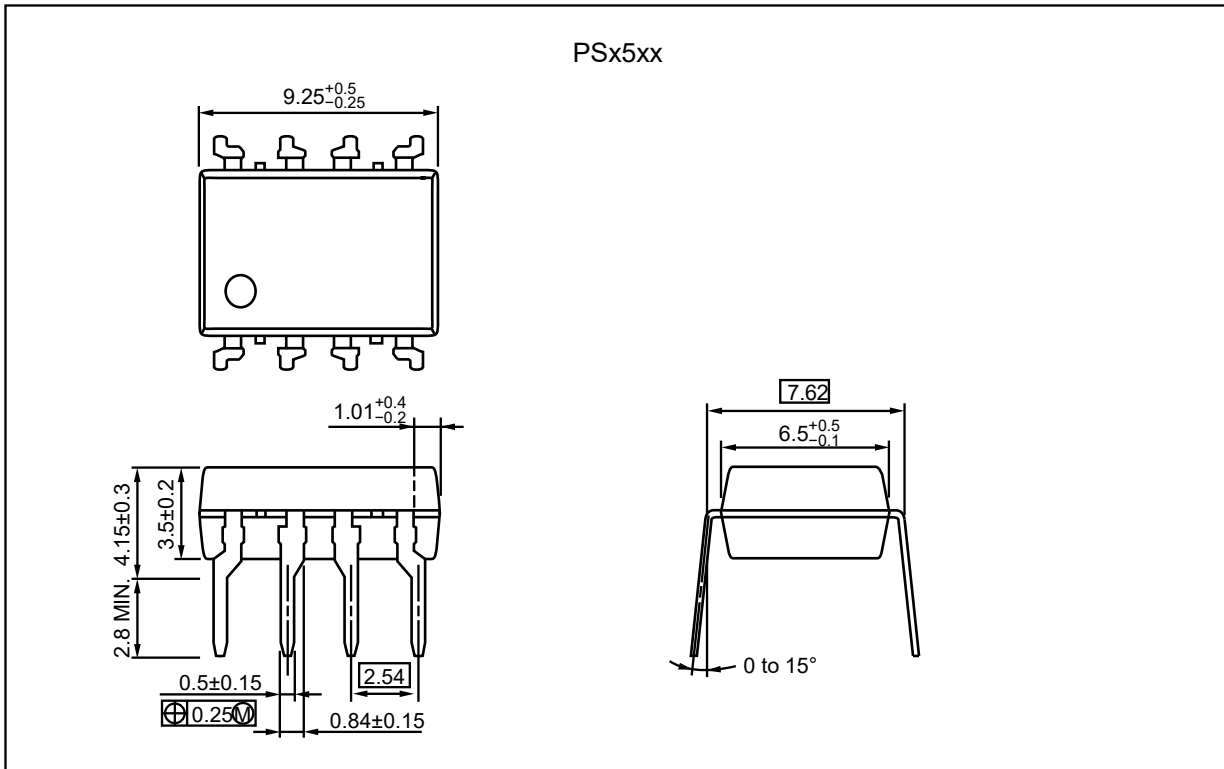
## APPLICATIONS

- FA Network
- Measurement equipment
- PDP

Start of mass production  
Jun.2006

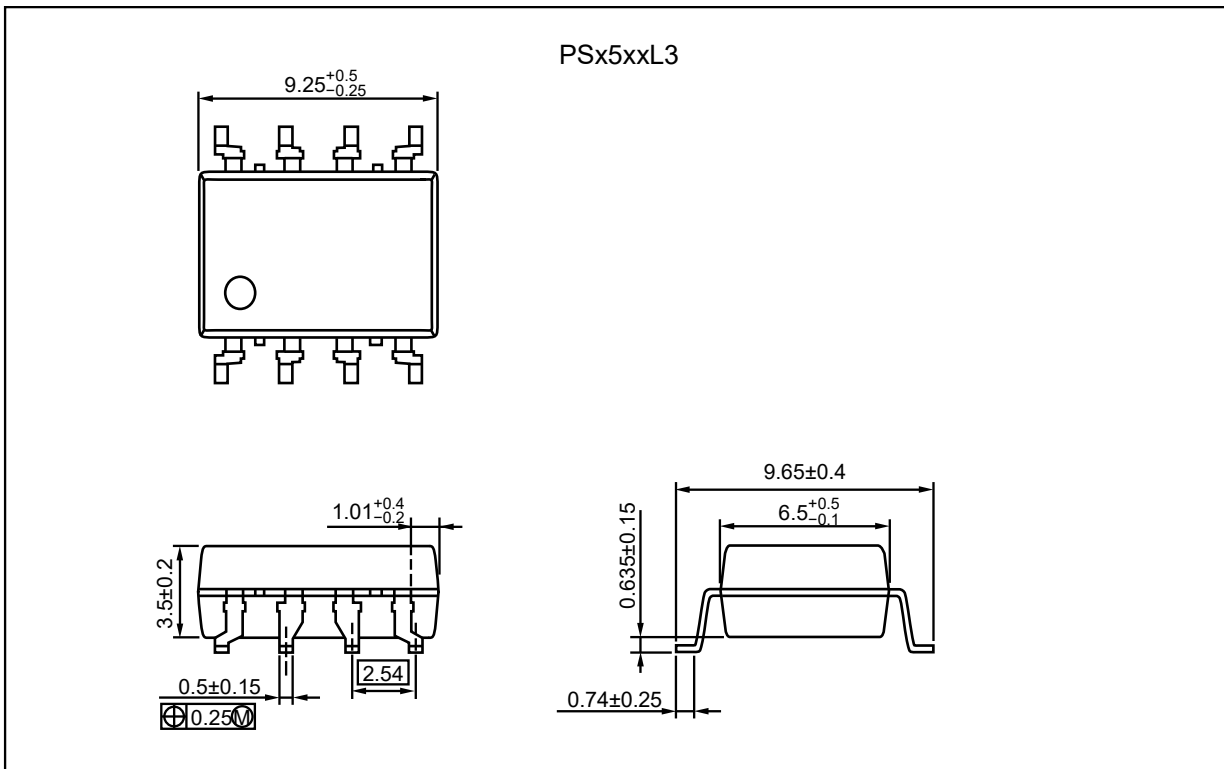
PACKAGE DIMENSIONS (UNIT: mm)

DIP Type

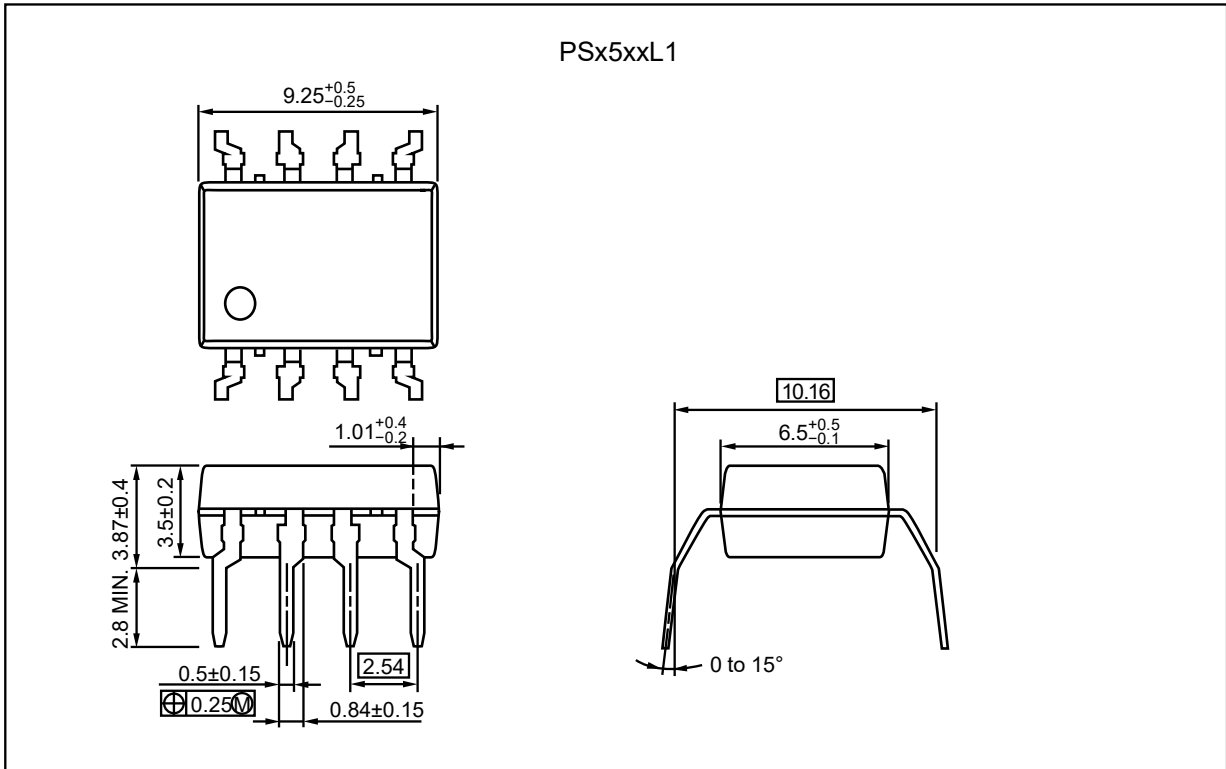


Weight: 0.55g (typ.)

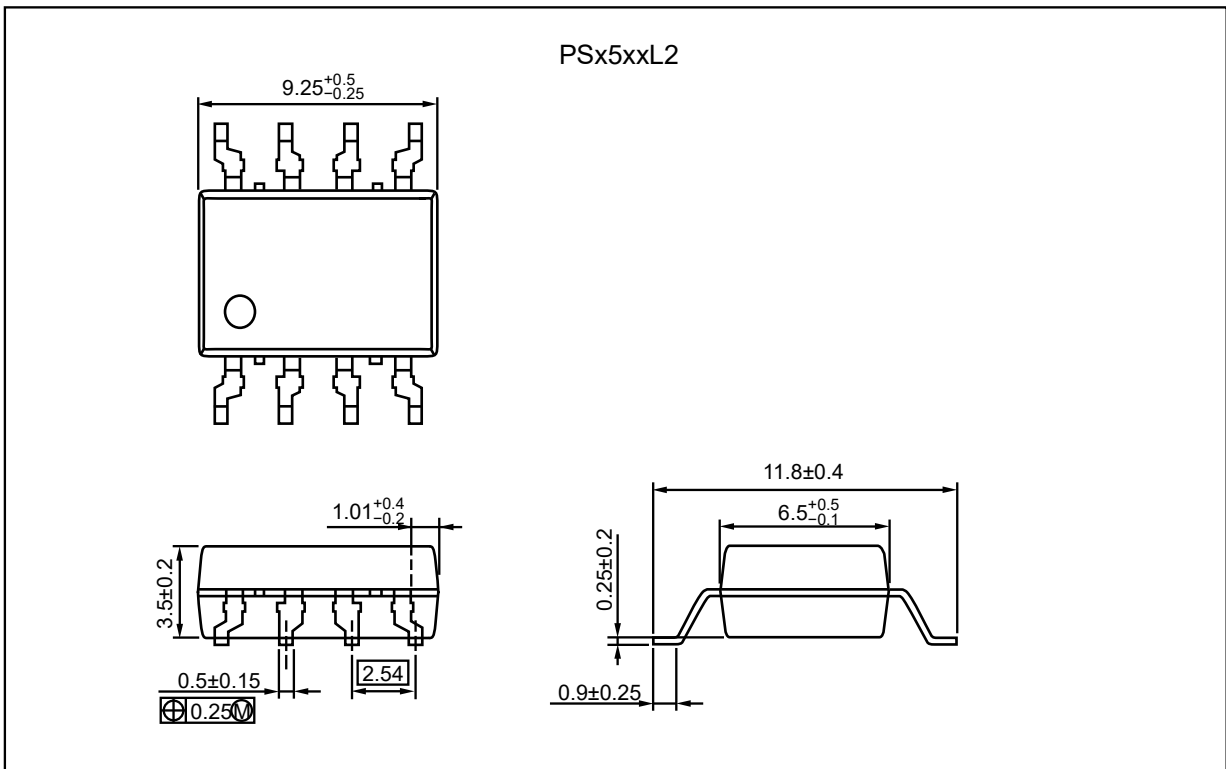
Lead Bending Type (Gull-wing) For Surface Mount



Lead Bending Type For Long Creepage Distance



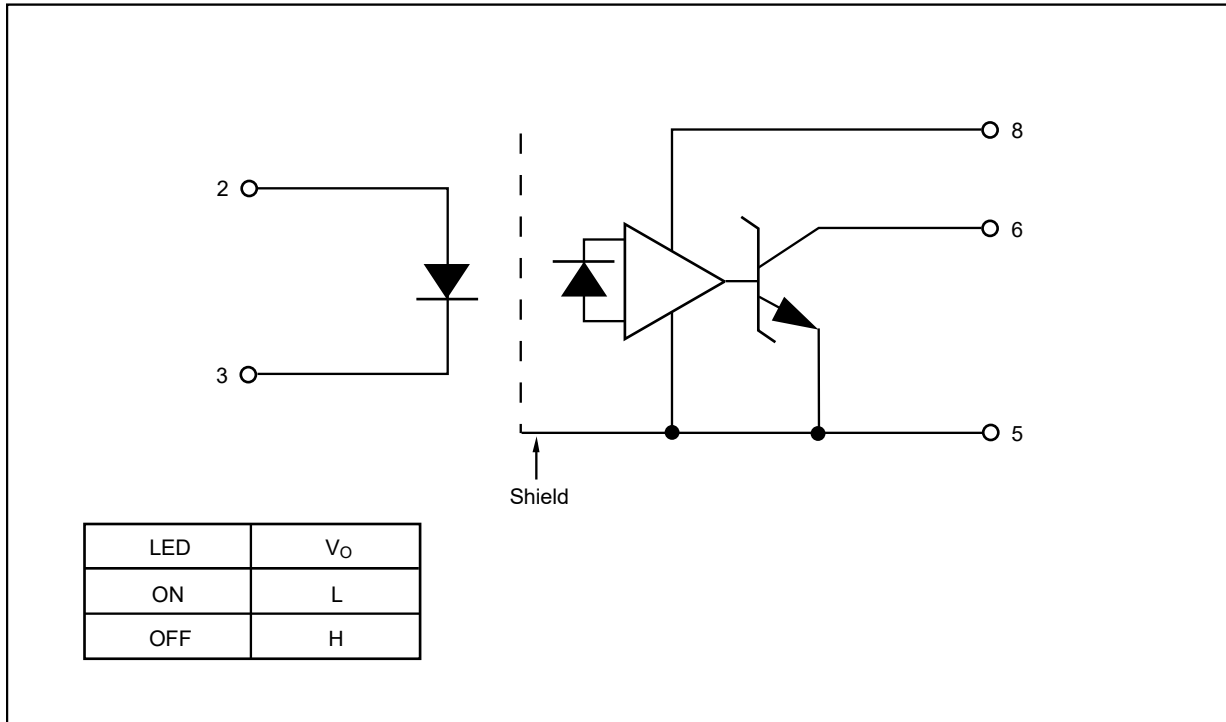
Lead Bending Type For Long Creepage Distance (Gull-wing) For Surface Mount



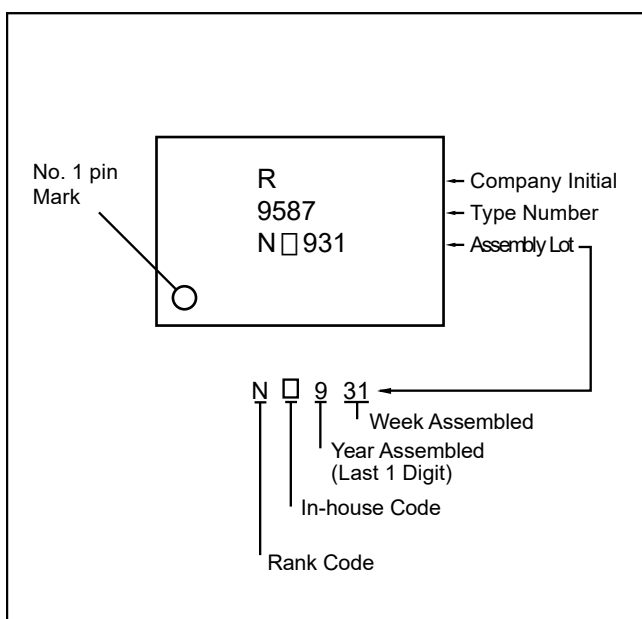
**PHOTOCOUPLER CONSTRUCTION**

Parameter	PS9587, PS9587L3	PS9587L1, PS9587L2
Air Distance (MIN.)	7 mm	8 mm
Creepage Distance (MIN.)	7 mm	8 mm
Isolation Distance (MIN.)	0.4 mm	0.4 mm

**FUNCTIONAL DIAGRAM**



**MARKING EXAMPLE**



**ORDERING INFORMATION**

Part Number	Order Number	Solder Plating Specification	Packing Style	Safety Standard Approval	Application Part Number *1	
PS9587	PS9587-AX	Pb-Free (Ni/Pd/Au)	Magazine case 50 pcs	Standard products (UL, CSA, BSI, SEMKO, NEMKO, DEMKO, FIMKO approved)	PS9587	
PS9587L1	PS9587L1-AX				PS9587L1	
PS9587L2	PS9587L2-AX				PS9587L2	
PS9587L3	PS9587L3-AX				PS9587L3	
PS9587L2-E3	PS9587L2-E3-AX				Embossed Tape 1 000 pcs/reel	PS9587L2
PS9587L3-E3	PS9587L3-E3-AX					PS9587L3
PS9587-V	PS9587-V-AX		Magazine case 50 pcs	UL, CSA, BSI, SEMKO, NEMKO, FIMKO, DEMKO, DIN EN 60747-5-5 approved	PS9587	
PS9587L1-V	PS9587L1-V-AX				PS9587L1	
PS9587L2-V	PS9587L2-V-AX				PS9587L2	
PS9587L3-V	PS9587L3-V-AX				PS9587L3	
PS9587L2-V-E3	PS9587L2-V-E3-AX				Embossed Tape 1 000 pcs/reel	PS9587L2
PS9587L3-V-E3	PS9587L3-V-E3-AX					PS9587L3

Notes\*: 1. For the application of the Safety Standard, following part number should be used.

**ABSOLUTE MAXIMUM RATINGS (T<sub>A</sub> = 25 °C, unless otherwise specified)**

Parameter		Symbol	Ratings	Unit
Diode	Forward Current *1	I <sub>F</sub>	30	mA
	Reverse Voltage	V <sub>R</sub>	5	V
Detector	Supply Voltage	V <sub>CC</sub>	7	V
	Output Voltage	V <sub>O</sub>	7	V
	Output Current	I <sub>O</sub>	25	mA
	Power Dissipation *2	P <sub>C</sub>	40	mW
Isolation Voltage *3		BV	5 000	Vr.m.s.
Operating Ambient Temperature		T <sub>A</sub>	-40 to +85	°C
Storage Temperature		T <sub>stg</sub>	-55 to +125	°C

Notes\*: 1. Reduced to 0.3 mA/°C at T<sub>A</sub> = 25 °C or more.

2. Applies to output pin V<sub>O</sub> (Collector pin). Reduced to 1.5 mW/°C at T<sub>A</sub> = 65 °C or more.

3. AC voltage for 1 minute at T<sub>A</sub> = 25 °C, RH = 60 % between input and output.

Pins 1-4 shorted together, 5-8 shorted together.

**RECOMMENDED OPERATING CONDITIONS (T<sub>A</sub> = 25 °C)**

Parameter	Symbol	MIN.	TYP.	MAX.	Unit
High Level Input Current	I <sub>FH</sub>	6.3	10	12.0	mA
Low Level Input Voltage	V <sub>FL</sub>	0		0.8	V
Supply Voltage	V <sub>CC</sub>	4.5	5.0	5.5	V
TTL (R <sub>L</sub> = 1 kΩ, loads)	N			5	
Pull-up Resistance	R <sub>L</sub>	330		4 k	Ω

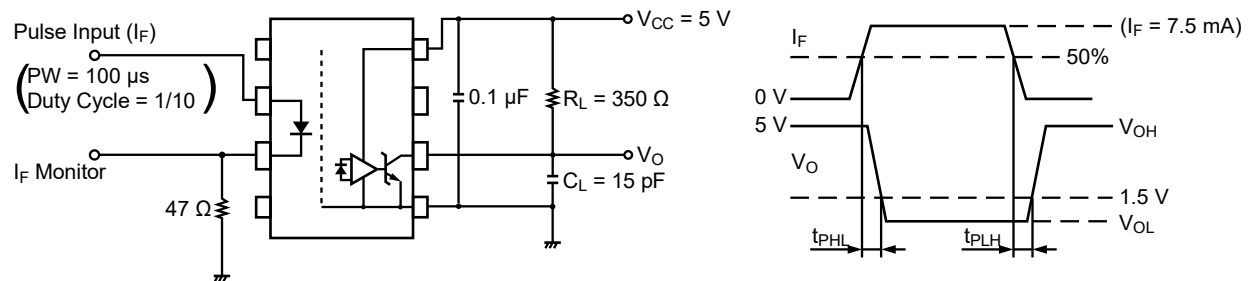
ELECTRICAL CHARACTERISTICS (T<sub>A</sub> = - 40 to + 85 °C, unless otherwise specified)

Parameter		Symbol	Conditions	MIN.	TYP.*1	MAX.	Unit	
Diode	Forward Voltage	V <sub>F</sub>	I <sub>F</sub> = 10 mA, T <sub>A</sub> = 25 °C	1.4	1.65	1.8	V	
	Reverse Current	I <sub>R</sub>	V <sub>R</sub> = 3 V, T <sub>A</sub> = 25 °C			10	μA	
	Terminal Capacitance	C <sub>t</sub>	V <sub>F</sub> = 0 V, f = 1 MHz, T <sub>A</sub> = 25 °C		30	150	pF	
Detector	High Level Output Current	I <sub>OH</sub>	V <sub>CC</sub> = V <sub>O</sub> = 5.5 V, V <sub>F</sub> = 0.8 V		1	100	μA	
	Low Level Output Voltage *2	V <sub>OL</sub>	V <sub>CC</sub> = 5.5 V, I <sub>F</sub> = 5 mA, I <sub>OL</sub> = 13 mA		0.2	0.6	V	
	High Level Supply Current	I <sub>CCH</sub>	V <sub>CC</sub> = 5.5 V, I <sub>F</sub> = 0 mA, V <sub>O</sub> = Open		5	8	mA	
	Low Level Supply Current	I <sub>CCL</sub>	V <sub>CC</sub> = 5.5 V, I <sub>F</sub> = 10 mA, V <sub>O</sub> = Open		9	11	mA	
Coupled	Threshold Input Current (H → L)	I <sub>FHL</sub>	T <sub>A</sub> = 25 °C			3.3	mA	
			V <sub>CC</sub> = 5 V, V <sub>O</sub> = 0.8 V, R <sub>L</sub> = 350 Ω		1.5	5		
	Isolation Resistance	R <sub>I-O</sub>	V <sub>I-O</sub> = 1 kV <sub>DC</sub> , R <sub>H</sub> = 40 to 60 %, T <sub>A</sub> = 25 °C	10 <sup>11</sup>			Ω	
	Isolation Capacitance	C <sub>I-O</sub>	V = 0 V, f = 1 MHz, T <sub>A</sub> = 25 °C		0.9	5	pF	
	Propagation Delay Time (H → L) *3	t <sub>PHL</sub>	V <sub>CC</sub> = 5 V, V <sub>THHL</sub> = V <sub>THLH</sub> = 1.5 V,	T <sub>A</sub> = 25 °C		35	75	ns
							100	
	Propagation Delay Time (L → H) *3	t <sub>PLH</sub>	R <sub>L</sub> = 350 Ω, I <sub>F</sub> = 7.5 mA, C <sub>L</sub> = 15 pF	T <sub>A</sub> = 25 °C		45	75	ns
							100	
	Rise Time	t <sub>r</sub>			20		ns	
	Fall Time	t <sub>f</sub>			10		ns	
	Pulse Width Distortion (PWD) *3	t <sub>PHL</sub> -t <sub>PLH</sub>			10	50	ns	
	Propagation Delay Skew	t <sub>PSK</sub>				60	ns	
	Common Mode Transient Immunity at High Level Output *4	CM <sub>H</sub>	V <sub>CC</sub> = 5 V, T <sub>A</sub> = 25 °C, I <sub>F</sub> = 0 mA, V <sub>O(MIN)</sub> = 2 V, V <sub>CM</sub> = 1.5 kV, R <sub>L</sub> = 350 Ω		15			kV/μs
Common Mode Transient Immunity at Low Level Output *4	CM <sub>L</sub>	V <sub>CC</sub> = 5 V, T <sub>A</sub> = 25 °C, I <sub>F</sub> = 7.5 mA, V <sub>O(MAX)</sub> = 0.8 V, V <sub>CM</sub> = 1.5 kV, R <sub>L</sub> = 350 Ω		15			kV/μs	

Notes\*: 1. Typical values at  $T_A = 25\text{ }^\circ\text{C}$ .

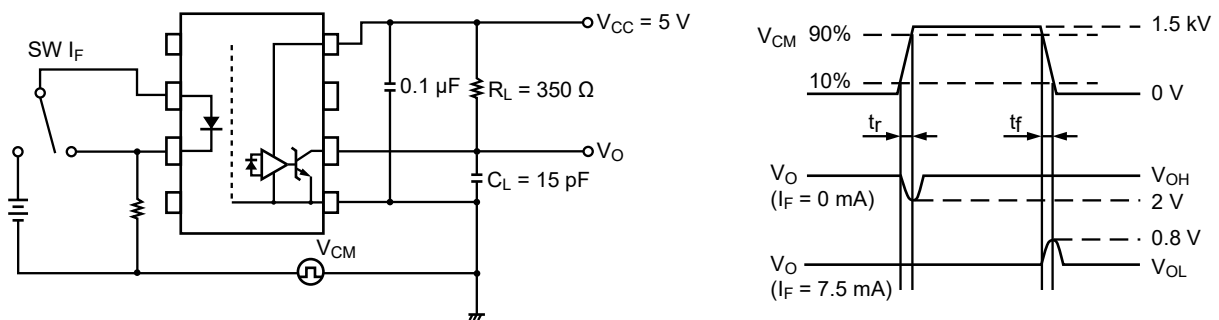
2. Because  $V_{OL}$  of 2 V or more may be output when LED current is input and when output power supply is on and off, confirm the characteristics (operation with the power supply on and off) during design, before using this device.

3. Test circuit for propagation delay time



Remark:  $C_L$  includes probe and stray wiring capacitance.

4. Test circuit for common mode transient immunity



Remark:  $C_L$  includes probe and stray wiring capacitance.

## USAGE CAUTIONS

1. This product is weak for static electricity by designed with high-speed integrated circuit so protect against static electricity when handling.
2. By-pass capacitor of more than  $0.1\text{ }\mu\text{F}$  is used between  $V_{CC}$  and GND near device. Also, ensure that the distance between the leads of the photocopier and capacitor is no more than 10 mm.
3. Pins 1, 4 (which is an NC<sup>\*1</sup> pin) can either be connected directly to the GND pin on the LED side or left open. Also, Pin 7 (which is an NC<sup>\*1</sup> pin) can either be connected directly to the GND pin on the detector side or left open.

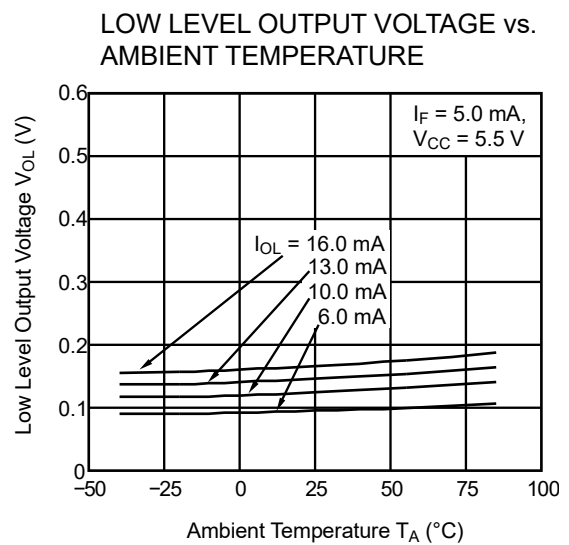
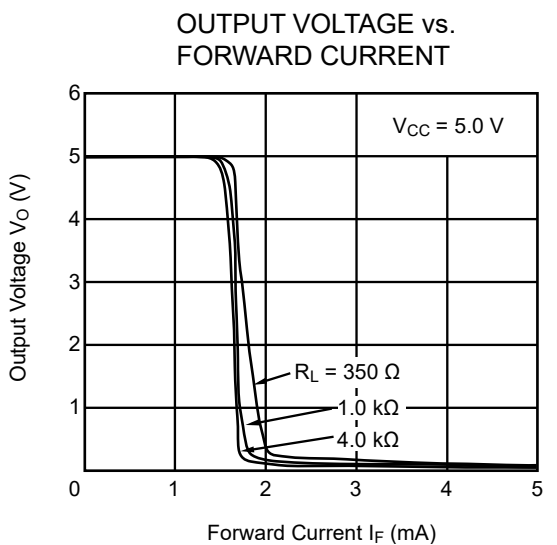
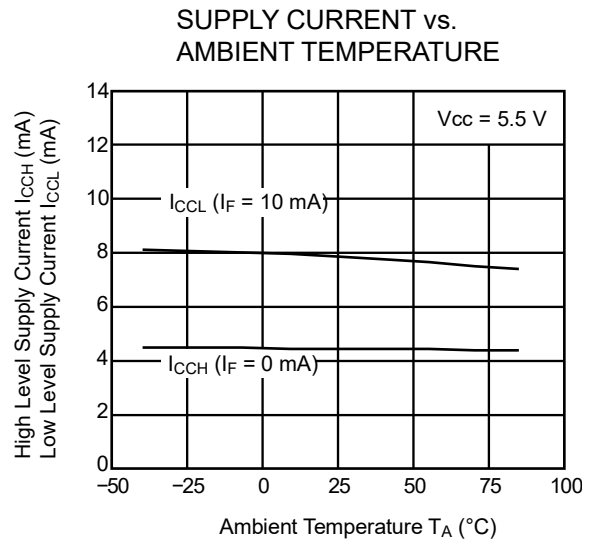
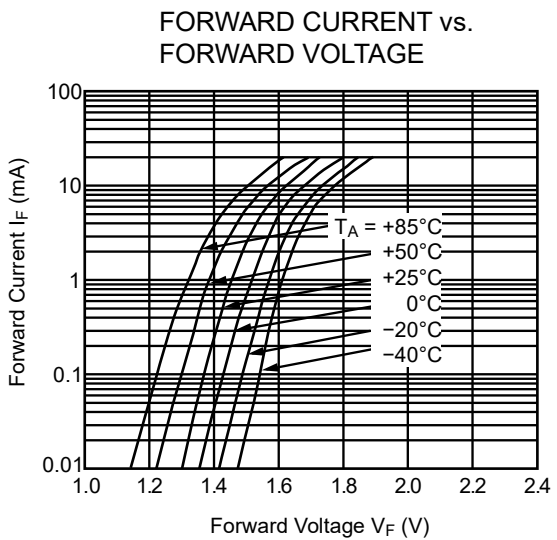
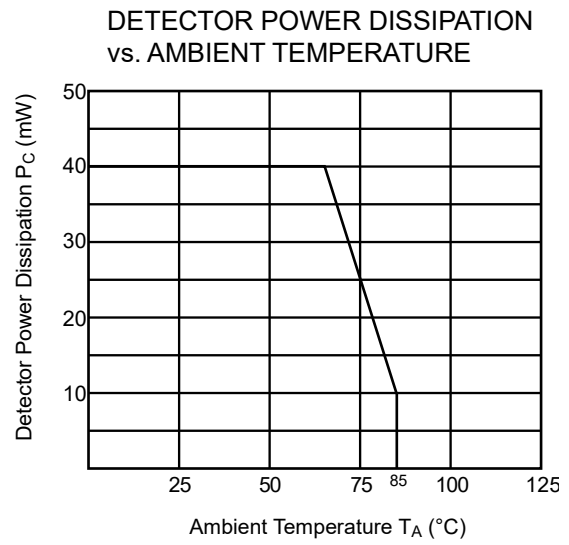
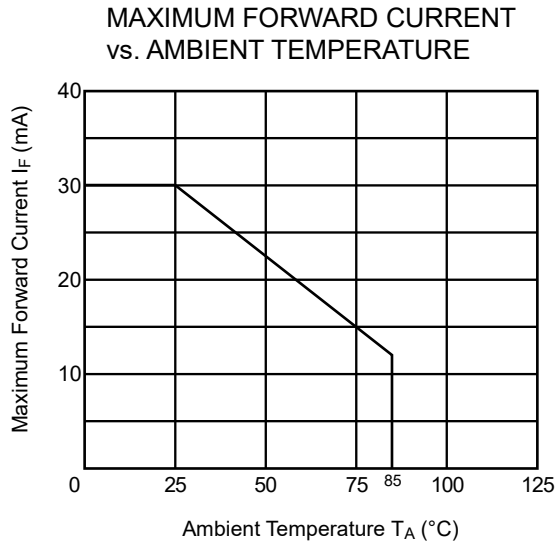
Unconnected pins should not be used as a bypass for signals or for any other similar purpose because this may degrade the internal noise environment of the device.

\*1 NC: Non-Connection (No Connection)

4. Avoid storage at a high temperature and high humidity.
5. Avoid cleaning with Freon based or halogen-based (chlorinated etc.) solvents.
6. Do not use fixing agents or coatings containing halogen-based substances.

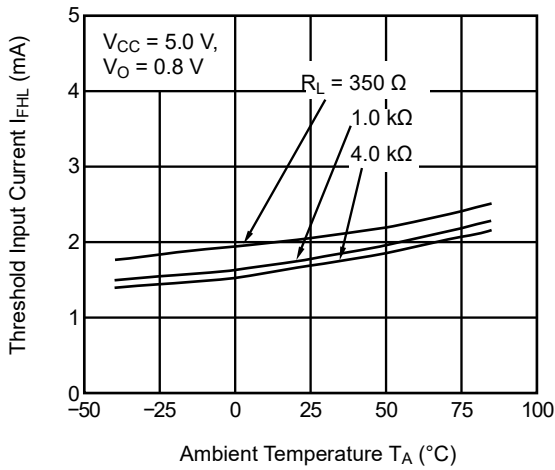


TYPICAL CHARACTERISTICS (T<sub>A</sub> = 25 °C unless otherwise specified)

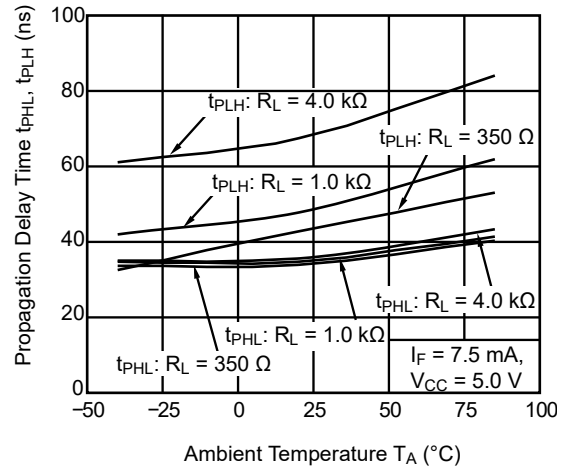


Remark The graphs indicate nominal characteristics.

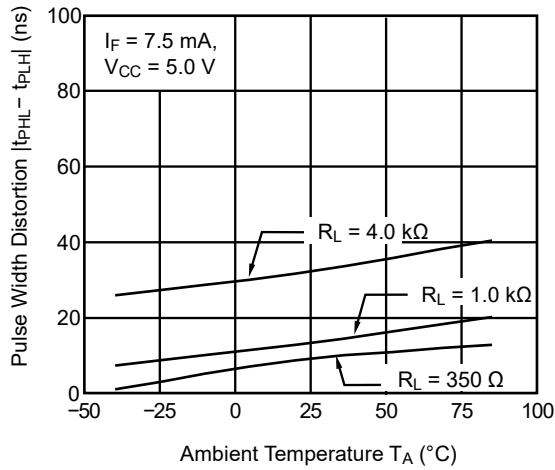
THRESHOLD INPUT CURRENT vs. AMBIENT TEMPERATURE



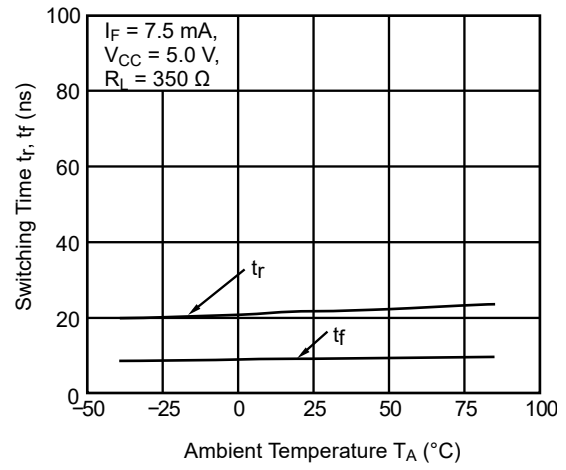
PROPAGATION DELAY TIME vs. AMBIENT TEMPERATURE



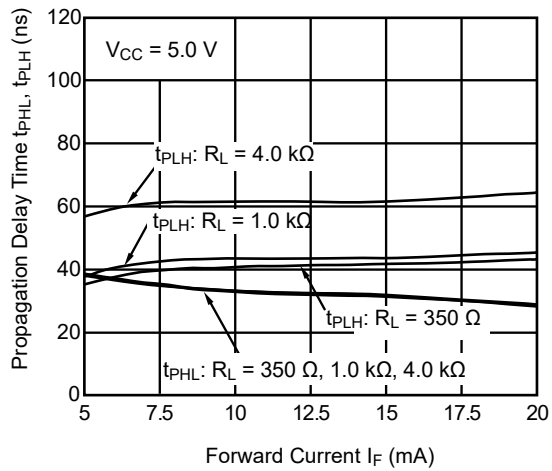
PULSE WIDTH DISTORTION vs. AMBIENT TEMPERATURE



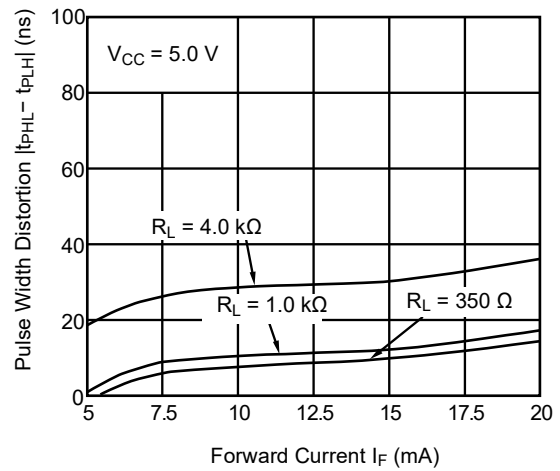
SWITCHING TIME vs. AMBIENT TEMPERATURE



PROPAGATION DELAY TIME vs. FORWARD CURRENT



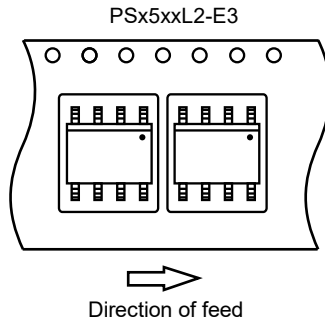
PULSE WIDTH DISTORTION vs. FORWARD CURRENT



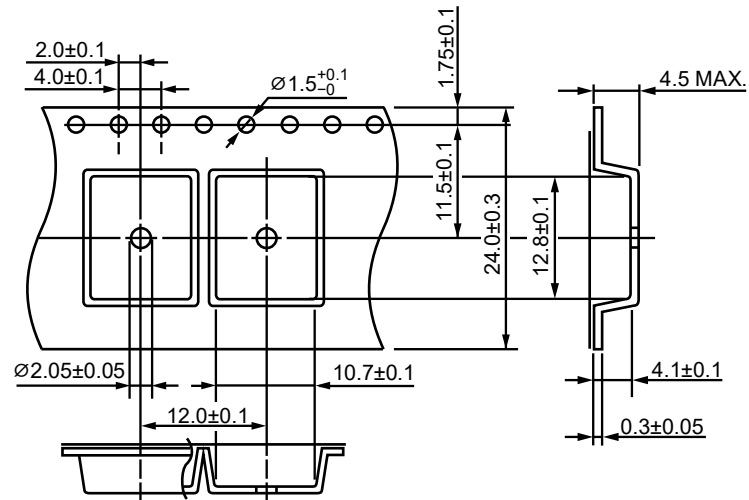
Remark The graphs indicate nominal characteristics.

TAPING SPECIFICATIONS (UNIT: mm)

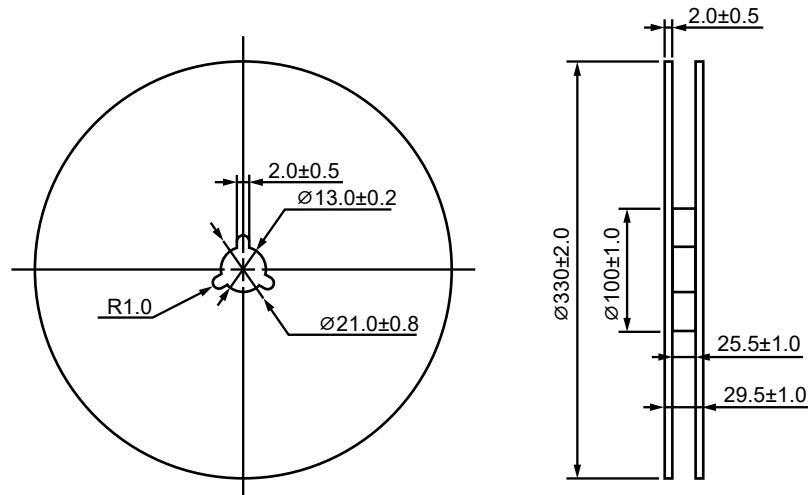
Tape Direction



Outline and Dimensions (Tape)

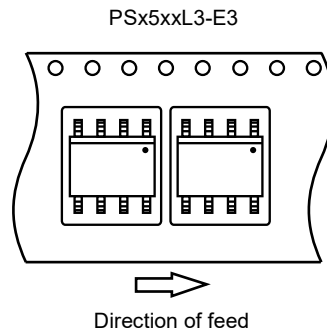


Outline and Dimensions (Reel)

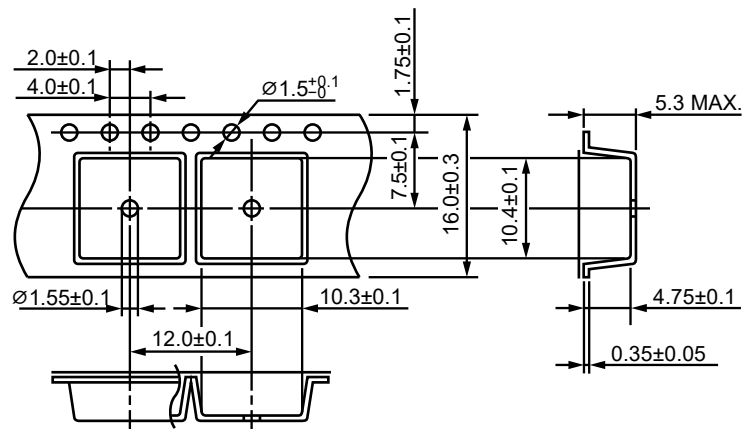


Packing: 1 000 pcs/reel

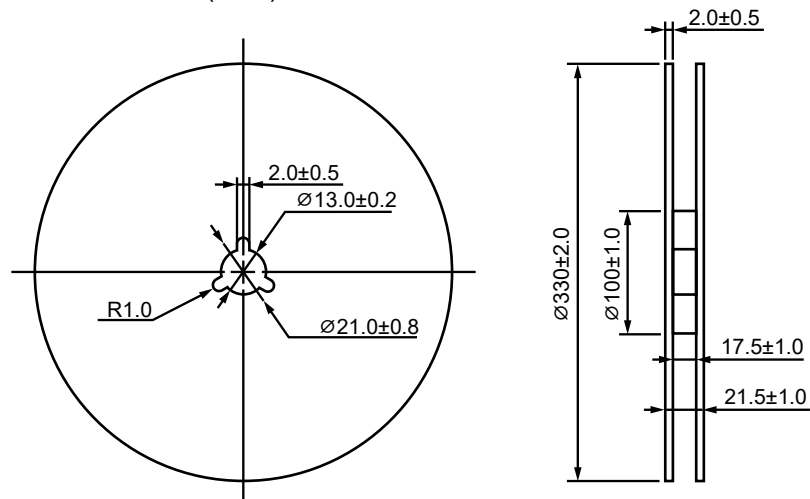
Tape Direction



Outline and Dimensions (Tape)

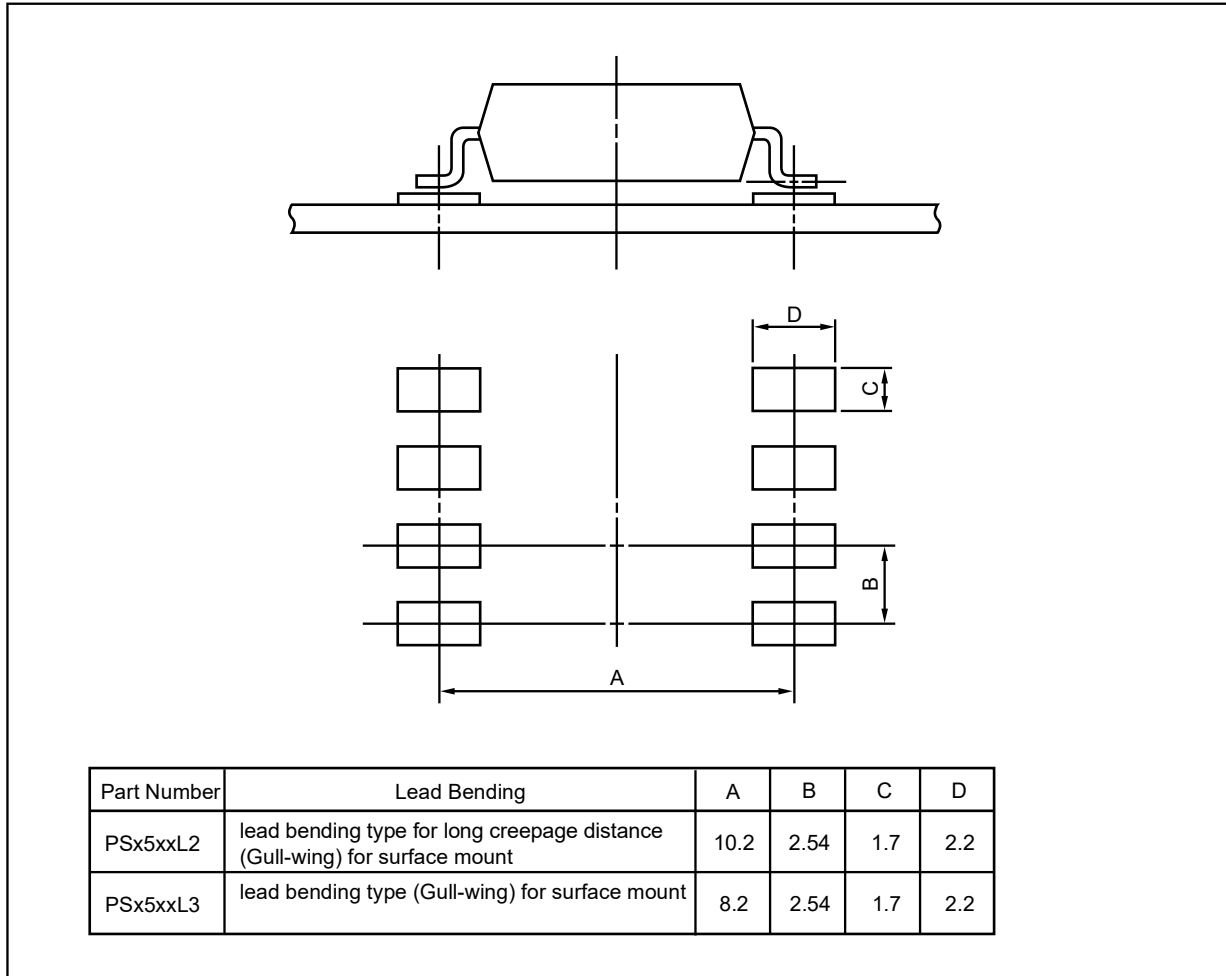


Outline and Dimensions (Reel)



Packing: 1 000 pcs/reel

RECOMMENDED MOUNT PAD DIMENSIONS (UNIT: mm)



Remark All dimensions in this figure must be evaluated before use.

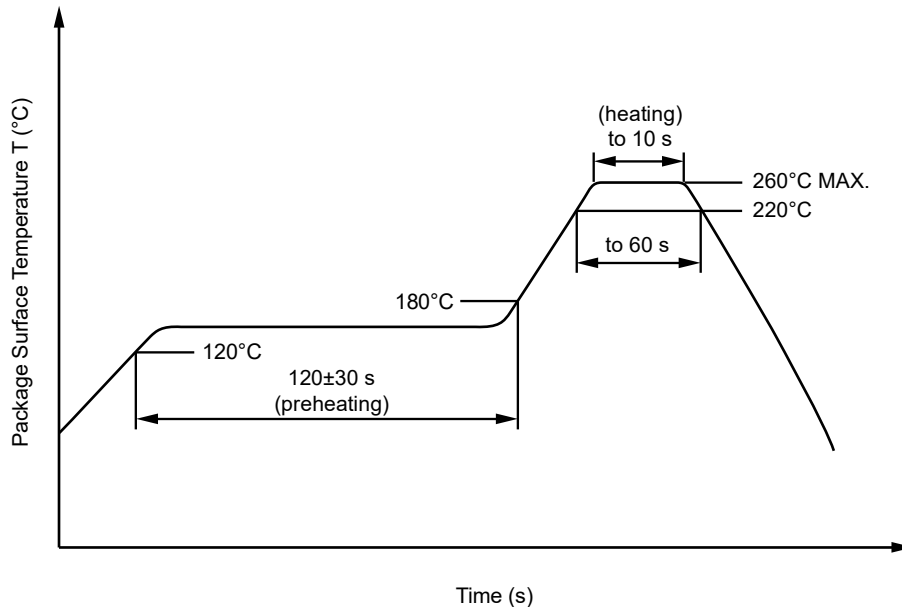
**NOTES ON HANDLING**

1. Recommended soldering conditions

(1) Infrared reflow soldering

- Peak reflow temperature 260 °C or below (package surface temperature)
- Time of peak reflow temperature 10 seconds or less
- Time of temperature higher than 220 °C 60 seconds or less
- Time to preheat temperature from 120 to 180 °C 120 ± 30 s
- Number of reflows Three
- Flux Rosin flux containing small amount of chlorine (The flux with a maximum chlorine content of 0.2 Wt% is recommended.)

Recommended Temperature Profile of Infrared Reflow



(2) Wave soldering

- Temperature 260 °C or below (molten solder temperature)
- Time 10 seconds or less
- Preheating conditions 120 °C or below (package surface temperature)
- Number of times One (Allowed to be dipped in solder including plastic mold portion.)
- Flux Rosin flux containing small amount of chlorine (The flux with a maximum chlorine content of 0.2 Wt% is recommended.)

(3) Soldering by Soldering Iron

- Peak Temperature (lead part temperature) 350 °C or below
- Time (each pins) 3 seconds or less
- Flux Rosin flux containing small amount of chlorine (The flux with a maximum chlorine content of 0.2 Wt% is recommended.)

(a) Soldering of leads should be made at the point 1.5 to 2.0 mm from the root of the lead

(b) Please be sure that the temperature of the package would not be heated over 100 °C

(4) Cautions

- Flux Cleaning  
Avoid cleaning with Freon based or halogen-based (chlorinated etc.) solvents.
- Do not use fixing agents or coatings containing halogen-based substances.

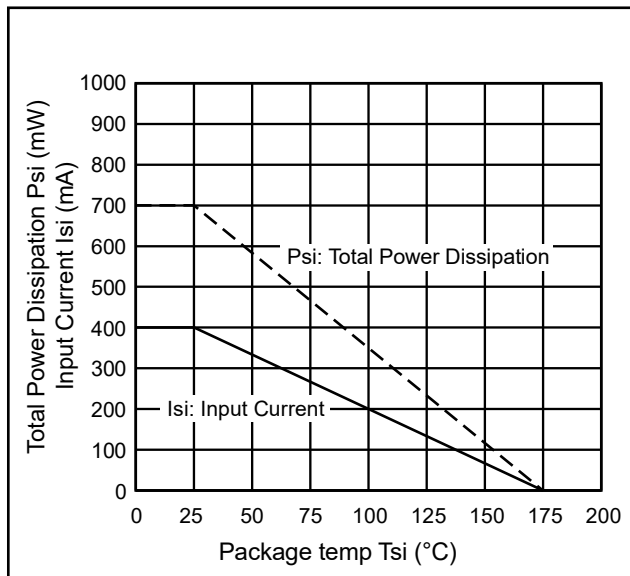
2. Cautions regarding noise

Be aware that when voltage is applied suddenly between the photocoupler's input and output or between V<sub>CC</sub>-GND at startup, the output transistor may enter the on state, even if the voltage is within the absolute maximum ratings.

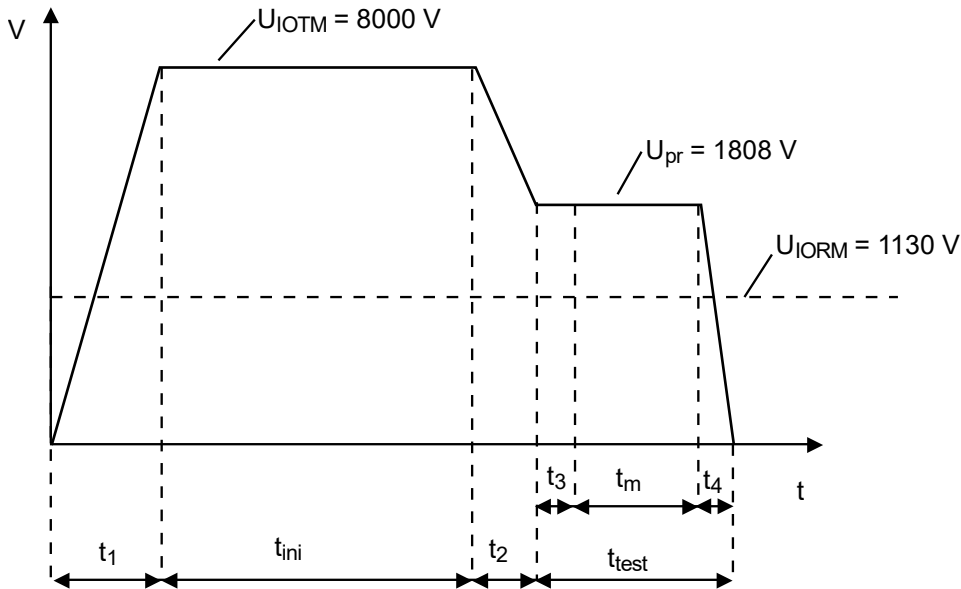
**SPECIFICATION OF VDE MARKS LICENSE DOCUMENT**

Parameter	Symbol	Rating	Unit
Climatic test class (IEC 60068-1/DIN EN 60068-1)		40/85/21	
Dielectric strength maximum operating isolation voltage Test voltage (partial discharge test, procedure a for type test and random test) $U_{pr} = 1.6 \times U_{IORM}, P_d < 5 \text{ pC}$	$U_{IORM}$ $U_{pr}$	1 130 1 808	$V_{peak}$ $V_{peak}$
Test voltage (partial discharge test, procedure b for all devices) $U_{pr} = 1.875 \times U_{IORM}, P_d < 5 \text{ pC}$	$U_{pr}$	2 119	$V_{peak}$
Highest permissible overvoltage	$U_{IOTM}$	8 000	$V_{peak}$
Degree of pollution (IEC 60664-1/DIN EN 60664-1 (VDE 0110-1))		2	
Comparative tracking index (IEC 60112/DIN EN 60112 (VDE 0303 Part 11))	CTI	175	
Material group (IEC 60664-1/DIN EN 60664-1 (VDE 0110-1))		III a	
Storage temperature range	$T_{stg}$	-55 to +125	°C
Operating temperature range	$T_A$	-40 to +85	°C
Isolation resistance, minimum value $V_{IO} = 500 \text{ V dc at } T_A = 25 \text{ °C}$ $V_{IO} = 500 \text{ V dc at } T_A \text{ MAX. at least } 100 \text{ °C}$	Ris MIN. Ris MIN.	$10^{12}$ $10^{11}$	$\Omega$ $\Omega$
Safety maximum ratings (maximum permissible in case of fault, see thermal derating curve) Package temperature Current (input current $I_F$ , $P_{si} = 0$ ) Power (output or total power dissipation) Isolation resistance $V_{IO} = 500 \text{ V dc at } T_A = T_{si}$	$T_{si}$ $I_{si}$ $P_{si}$ Ris MIN.	175 400 700 $10^9$	°C mA mW $\Omega$

**Dependence of maximum safety ratings with package temperature**

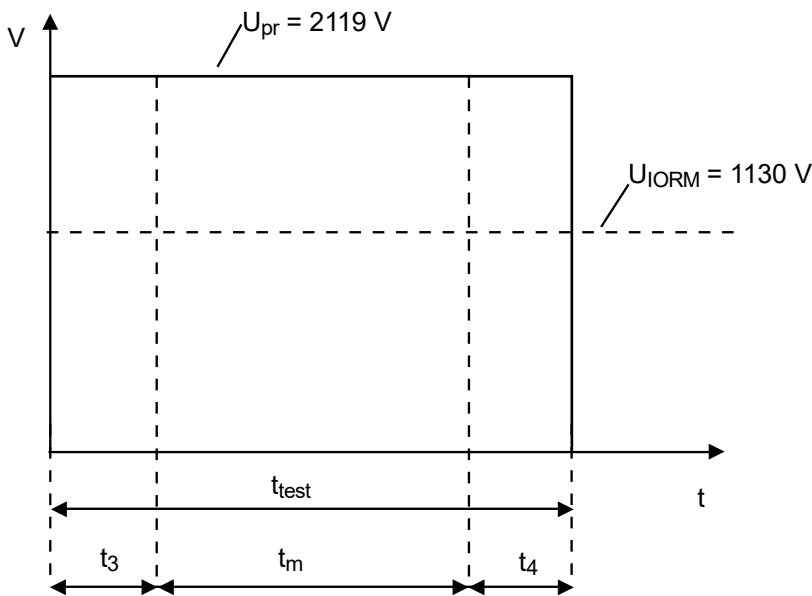


**Method a) Destructive Test, Type and Sample Test**



$t_1, t_2 = 1 \text{ to } 10 \text{ sec}$   
 $t_3, t_4 = 1 \text{ sec}$   
 $t_m(\text{PARTIAL DISCHARGE}) = 10 \text{ sec}$   
 $t_{test} = 12 \text{ sec}$   
 $t_{ini} = 60 \text{ sec}$

**Method b) Non-destructive Test, 100% Production Test**



$t_3, t_4 = 0.1 \text{ sec}$   
 $t_m(\text{PARTIAL DISCHARGE}) = 1.0 \text{ sec}$   
 $t_{test} = 1.2 \text{ sec}$



Caution	GaAs Products	<p>This product uses gallium arsenide (GaAs). GaAs vapor and powder are hazardous to human health if inhaled or ingested, so please observe the following points.</p> <ul style="list-style-type: none"><li>• Follow related laws and ordinances when disposing of the product. If there are no applicable laws and/or ordinances, dispose of the product as recommended below.<ol style="list-style-type: none"><li>1. Commission a disposal company able to (with a license to) collect, transport and dispose of materials that contain arsenic and other such industrial waste materials.</li><li>2. Exclude the product from general industrial waste and household garbage, and ensure that the product is controlled (as industrial waste subject to special control) up until final disposal.</li></ol></li><li>• Do not burn, destroy, cut, crush, or chemically dissolve the product.</li><li>• Do not lick the product or in any way allow it to enter the mouth.</li></ul>
---------	---------------	--

All trademarks and registered trademarks are the property of their respective owners.